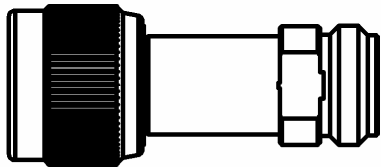
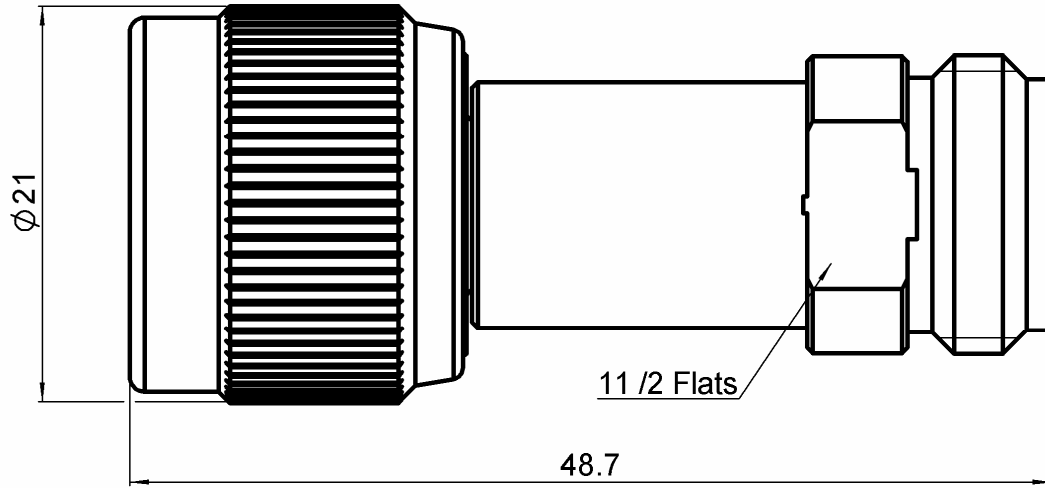
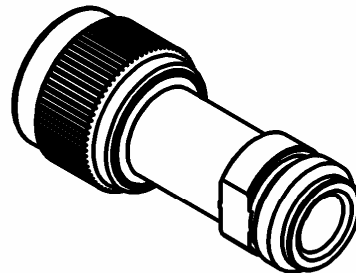


**N ATTENUATOR**  
**15 DB 12.4 GHZ 2W**

**R414.715.000**  
 Series : ATTENUATOR



SCALE 1/1



All dimensions are in mm.



| COMPONENTS            | MATERIALS        | PLATING(µm)            |
|-----------------------|------------------|------------------------|
| BODY                  | BRASS            | NICKEL 5               |
| MALE CENTER CONTACT   | BERYLLIUM COPPER | GOLD 2.5 OVER NICKEL 1 |
| FEMALE CENTER CONTACT | BERYLLIUM COPPER | GOLD 2.5 OVER NICKEL 1 |
| OUTER CONTACT         |                  |                        |
| INSULATOR             | PTFE             |                        |
| GASKET                | SILICONE RUBBER  |                        |
| SUBSTRATE             | ALUMINA          |                        |
| RESISTOR              | THIN FILM        |                        |
| OTHERS PARTS          |                  |                        |

Issue : 1135 P

In the effort to improve our products, we reserve the right to make changes judged to be necessary.



**N ATTENUATOR**  
**15 DB 12.4 GHZ 2W**

**R414.715.000**  
 Series : **ATTENUATOR**

**ELECTRICAL CHARACTERISTICS**

|                 |        |       |          |
|-----------------|--------|-------|----------|
| Frequency (GHz) | DC - 4 | 4 - 8 | 8 - 12.4 |
| V.S.W.R (≤)     | 1.15   | 1.20  | 1.25     |
| Deviation(±dB)  | 0.50   | 0.50  | 0.70     |

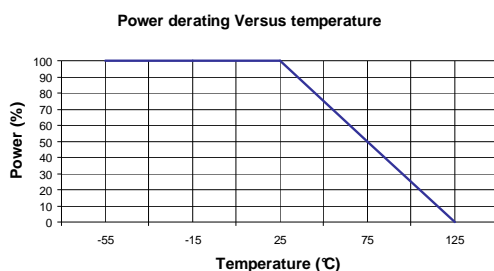
|                              |           |                       |
|------------------------------|-----------|-----------------------|
| Operating Frequency Range    | DC - 12.4 | GHz                   |
| Impedance                    | 50        | Ω                     |
| Nominal Attenuation          | 15        | dB                    |
| Peak power at 25°C (1μs, 1%) | 100       | W                     |
| Average power at 25°C        | 2         | W (Free Air Cooled)   |
|                              |           | W (Conduction Cooled) |

**MECHANICAL CHARACTERISTICS**

|            |           |             |             |
|------------|-----------|-------------|-------------|
| Connectors | N         | Male Female | MIL-C 39012 |
| Weight     | 59,6200 g |             |             |

**ENVIRONMENTAL CHARACTERISTICS**

|                             |              |
|-----------------------------|--------------|
| Operating temperature range | -55 /+125 °C |
| Storage temperature range   | -55 /+125 °C |



**SPECIFICATION**

**OTHER CHARACTERISTICS**

Issue : 1135 P

In the effort to improve our products, we reserve the right to make changes judged to be necessary.



## X-ON Electronics

Largest Supplier of Electrical and Electronic Components

*Click to view similar products for [Attenuators - Interconnects](#) category:*

*Click to view products by [Radiall](#) manufacturer:*

Other Similar products are found below :

[R411803119](#) [R413806115](#) [R413808000](#) [R413810115](#) [R413850115](#) [R414510000](#) [R414701000](#) [BNC-13](#) [R411800121](#) [R411801121](#)  
[R412412124](#) [R412450000](#) [R413800000](#) [R413805000](#) [R413830000](#) [R413840115](#) [R414730000](#) [R415420000](#) [R415703000](#) [R416010000](#)  
[R420003110](#) [R411801000](#) [R411815121](#) [R413305000](#) [R413801000](#) [R414520000](#) [R411808121](#) [R412500124](#) [R412414124](#) [R412501124](#)  
[HMC-C584](#) [R413802000](#) [R412400124](#) [R411700124](#) [R417310130](#) [R411801119](#) [R412419124](#) [R411703124](#) [R412401124](#) [R443131000](#)  
[R417130110](#) [R414700000](#) [R414505000](#) [R411802119](#) [R417720128](#) [R420706110](#) [R413811000](#) [R413803115](#) [R414501000](#) [R417903128](#)