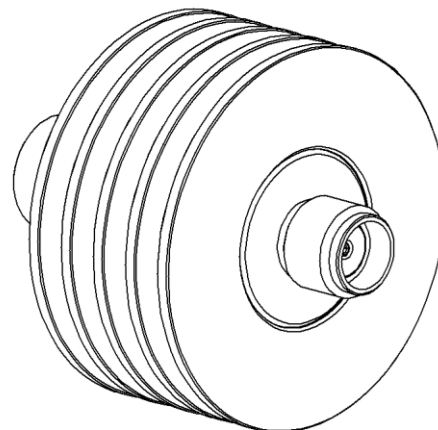
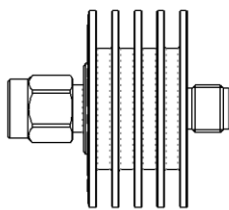
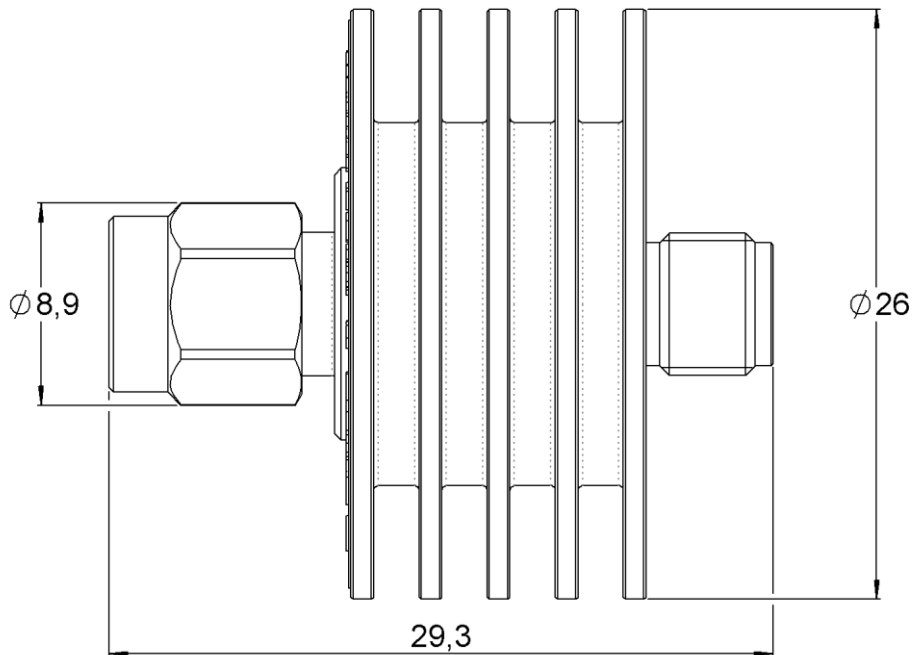
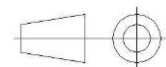


|          |                 |                      |                        |
|----------|-----------------|----------------------|------------------------|
| PAGE 1/2 | ISSUE 07-11-17E | SERIES<br>ATTENUATOR | PART NUMBER R415310000 |
|----------|-----------------|----------------------|------------------------|



All dimensions are in mm. Tolerances according ISO 2768 m-H



| COMPONENTS            | MATERIALS                | PLATING (µm)                  |
|-----------------------|--------------------------|-------------------------------|
| Body                  | <b>BRASS</b>             | <b>NICKEL 5</b>               |
| Male center contact   | <b>BERYLLIUM COPPER</b>  | <b>GOLD 2.5 OVER NICKEL 1</b> |
| Female center contact | <b>BERYLLIUM COPPER</b>  | <b>GOLD 2.5 OVER NICKEL 2</b> |
| Outer contact         |                          |                               |
| Insulator             | <b>PTFE</b>              |                               |
| Gasket                | <b>SILICONE RUBBER</b>   |                               |
| Substrate             | <b>ALUMINIUM NITRIDE</b> |                               |
| Resistor              | <b>THIN FILM</b>         |                               |
| Others parts          | <b>ALUMINIUM</b>         | <b>BLACK ANODIZATION</b>      |

|          |                        |                             |                               |
|----------|------------------------|-----------------------------|-------------------------------|
| PAGE 2/2 | ISSUE <b>07-11-17E</b> | SERIES<br><b>ATTENUATOR</b> | PART NUMBER <b>R415310000</b> |
|----------|------------------------|-----------------------------|-------------------------------|

**ELECTRICAL CHARACTERISTICS**

|                 |               |              |
|-----------------|---------------|--------------|
| Frequency (GHz) | <b>DC - 4</b> | <b>4 - 8</b> |
| V.S.W.R (≤)     | <b>1.15</b>   | <b>1.25</b>  |
| Deviation(±dB)  | <b>0.30</b>   | <b>0.30</b>  |

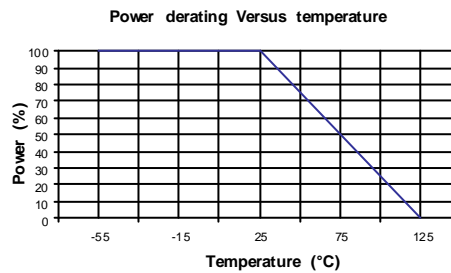
|                              |               |                       |
|------------------------------|---------------|-----------------------|
| Operating Frequency Range    | <b>DC - 8</b> | GHz                   |
| Impedance                    | <b>50</b>     | Ω                     |
| Nominal Attenuation          | <b>10</b>     | dB                    |
| Peak power at 25°C (1μs, 1%) | <b>250</b>    | W                     |
| Average power at 25°C        | <b>10</b>     | W (Free Air Cooled)   |
|                              |               | W (Conduction Cooled) |

**MECHANICAL CHARACTERISTICS**

|            |                  |                    |                    |
|------------|------------------|--------------------|--------------------|
| Connectors | <b>SMA</b>       | <b>Male Female</b> | <b>MIL-C 39012</b> |
| Weight     | <b>19,6600 g</b> |                    |                    |

**ENVIRONMENTAL CHARACTERISTICS**

|                             |                     |
|-----------------------------|---------------------|
| Operating temperature range | <b>-55 /+125 °C</b> |
| Storage temperature range   | <b>-55 /+125 °C</b> |



**SPECIFICATION**

**OTHER CHARACTERISTICS**

## X-ON Electronics

Largest Supplier of Electrical and Electronic Components

*Click to view similar products for [Attenuators - Interconnects](#) category:*

*Click to view products by [Radiall](#) manufacturer:*

Other Similar products are found below :

[R411803119](#) [R413806115](#) [R413808000](#) [R413810115](#) [R413850115](#) [R414510000](#) [R414701000](#) [R415303000](#) [BNC-13](#) [R411800121](#)  
[R411801121](#) [R412412124](#) [R412450000](#) [R413800000](#) [R413805000](#) [R413830000](#) [R413840115](#) [R414730000](#) [R415420000](#) [R415703000](#)  
[R416010000](#) [R420003110](#) [R411801000](#) [R411815121](#) [R413305000](#) [R413801000](#) [R414520000](#) [R411808121](#) [R412500124](#) [R412414124](#)  
[R412501124](#) [HMC-C584](#) [R413802000](#) [R412400124](#) [R411700124](#) [R417310130](#) [R411801119](#) [R412419124](#) [R411703124](#) [R412401124](#)  
[R443131000](#) [R417130110](#) [R414700000](#) [R414505000](#) [R411802119](#) [R417720128](#) [R420706110](#) [R413811000](#) [R413803115](#) [R414501000](#)