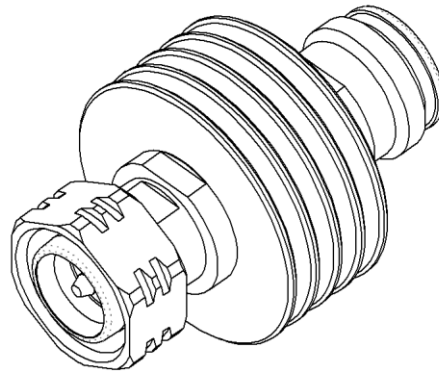
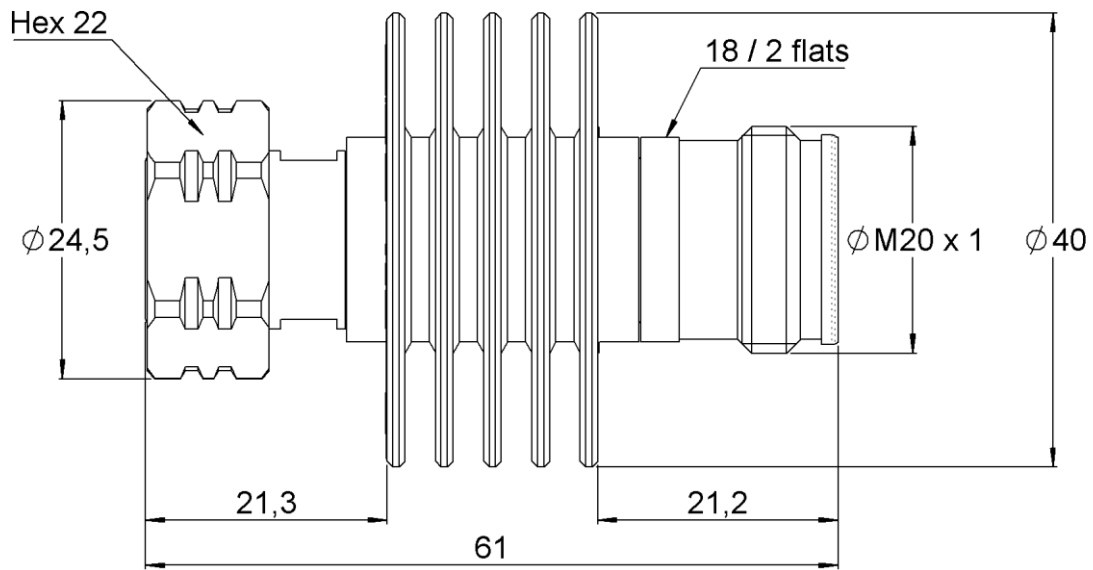
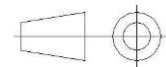


| | | | |
|----------|-----------------|-----------------------------|-------------------------------|
| PAGE 1/2 | ISSUE 25-01-16A | SERIES ATTENUATOR | PART NUMBER R415610000 |
|----------|-----------------|-----------------------------|-------------------------------|



All dimensions are in mm.



| COMPONENTS | MATERIALS | PLATING (µm) |
|-----------------------|--------------------------|-------------------------------|
| Body | BRASS | NICKEL 5 |
| Male center contact | BERYLLIUM COPPER | GOLD 0.5 OVER NICKEL 2 |
| Female center contact | BERYLLIUM COPPER | GOLD 0.5 OVER NICKEL 2 |
| Outer contact | BRONZE | SILVER 5 |
| Insulator | PTFE | |
| Gasket | EPDM | |
| Substrate | ALUMINIUM NITRIDE | |
| Resistor | THIN FILM | |
| Others parts | ALUMINIUM | BLACK ANODIZATION |

| | | | |
|----------|------------------------|-----------------------------|-------------------------------|
| PAGE 2/2 | ISSUE 25-01-16A | SERIES ATTENUATOR | PART NUMBER R415610000 |
|----------|------------------------|-----------------------------|-------------------------------|

ELECTRICAL CHARACTERISTICS

| | |
|-----------------|---------------|
| Frequency (GHz) | DC - 6 |
| V.S.W.R (≤) | 1.15 |
| Deviation(±dB) | 0.30 |

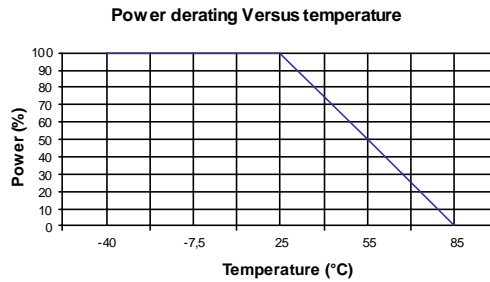
| | | |
|------------------------------|---------------|-----------------------|
| Operating Frequency Range | DC - 6 | GHz |
| Impedance | 50 | Ω |
| Nominal Attenuation | 10 | dB |
| Peak power at 25°C (1μs, 1%) | 250 | W |
| Average power at 25°C | 15 | W (Free Air Cooled) |
| | | W (Conduction Cooled) |

MECHANICAL CHARACTERISTICS

| | | | |
|------------|-----------------|--------------------|---------------------|
| Connectors | 4.3-10 | Male Female | IEC 60169-54 |
| Weight | 106,0100 | g | |

ENVIRONMENTAL CHARACTERISTICS

| | | |
|-----------------------------|----------------|----|
| Operating temperature range | -40/+85 | °C |
| Storage temperature range | -40/+85 | °C |



SPECIFICATION

OTHER CHARACTERISTICS

IP 65 when mated with suitable connector

X-ON Electronics

Largest Supplier of Electrical and Electronic Components

Click to view similar products for [Attenuators - Interconnects](#) category:

Click to view products by [Radiall](#) manufacturer:

Other Similar products are found below :

[R411803119](#) [R413806115](#) [R413808000](#) [R413810115](#) [R413850115](#) [R414510000](#) [R414701000](#) [R415303000](#) [BNC-13](#) [R411800121](#)
[R411801121](#) [R412412124](#) [R412450000](#) [R413800000](#) [R413805000](#) [R413830000](#) [R413840115](#) [R414730000](#) [R415420000](#) [R415703000](#)
[R416010000](#) [R420003110](#) [R411801000](#) [R411815121](#) [R413305000](#) [R413801000](#) [R414520000](#) [R411808121](#) [R412500124](#) [R412414124](#)
[R412501124](#) [R413802000](#) [R412400124](#) [R411700124](#) [R417310130](#) [R411801119](#) [R412419124](#) [R411703124](#) [R412401124](#) [R443131000](#)
[R417130110](#) [R414700000](#) [R414505000](#) [R411802119](#) [R417720128](#) [R420706110](#) [R413811000](#) [R413803115](#) [R414501000](#) [R417903128](#)