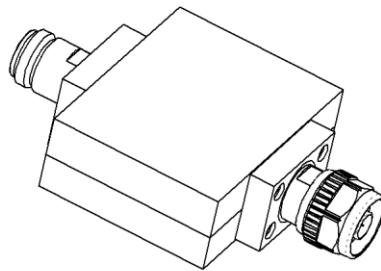
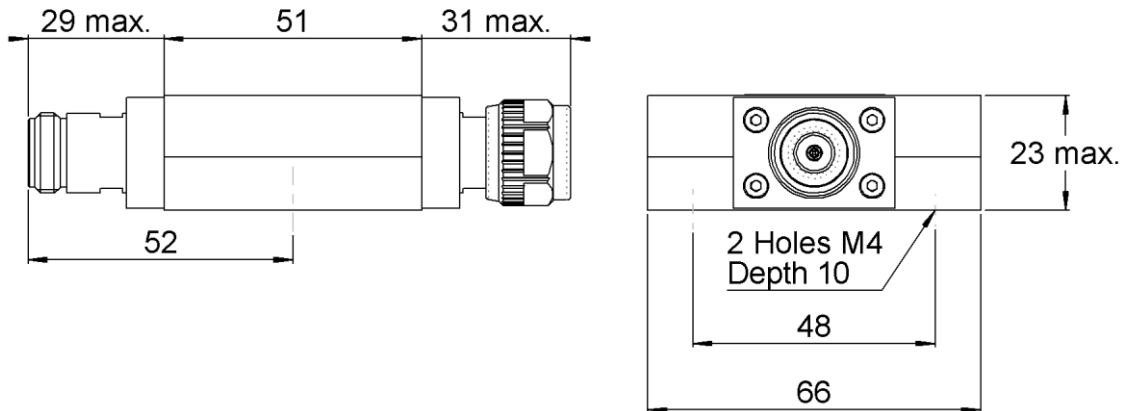


|          |                        |                             |                               |
|----------|------------------------|-----------------------------|-------------------------------|
| PAGE 1/2 | ISSUE <b>05-04-18B</b> | SERIES<br><b>ATTENUATOR</b> | PART NUMBER <b>R417003130</b> |
|----------|------------------------|-----------------------------|-------------------------------|

SCALE 1 : 2



All dimensions are in mm. Tolerances according ISO 2768 m-H



| COMPONENTS            | MATERIALS               | PLATING (µm)                             |
|-----------------------|-------------------------|--|
| Body                  | <b>STAINLESS STEEL</b>  | <b>PASSIVATED</b>                        |
| Male center contact   | <b>BERYLLIUM COPPER</b> | <b>GOLD 0.5 OVER NICKEL PHOSPHORUS 2</b> |
| Female center contact | <b>BERYLLIUM COPPER</b> | <b>GOLD 0.5 OVER NICKEL PHOSPHORUS 2</b> |
| Outer contact         |                         |  |
| Insulator             | <b>PTFE</b>             |  |
| Gasket                | <b>SILICONE RUBBER</b>  |  |
| Substrate             | <b>ALUMINA</b>          |  |
| Resistor              | <b>THICK FILM</b>       |  |
| Others parts          | <b>ALUMINIUM</b>        | <b>BLACK PAINTING</b>                    |

|          |                        |                             |                               |
|----------|------------------------|-----------------------------|-------------------------------|
| PAGE 2/2 | ISSUE <b>05-04-18B</b> | SERIES<br><b>ATTENUATOR</b> | PART NUMBER <b>R417003130</b> |
|----------|------------------------|-----------------------------|-------------------------------|

**ELECTRICAL CHARACTERISTICS**

|                 |               |              |              |
|-----------------|---------------|--------------|--------------|
| Frequency (GHz) | <b>DC - 1</b> | <b>1 - 2</b> | <b>2 - 3</b> |
| V.S.W.R (≤)     | <b>1.10</b>   | <b>1.25</b>  | <b>1.35</b>  |
| Deviation(±dB)  | <b>0.70</b>   | <b>0.70</b>  | <b>0.70</b>  |

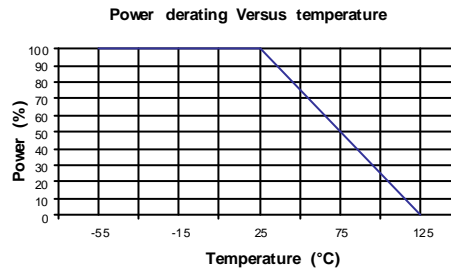
|   |               |                       |
|---|---------------|-----------------------|
| Operating Frequency Range   | <b>DC - 3</b> | GHz                   |
| Impedance   | <b>50</b>     | Ω                     |
| Nominal Attenuation   | <b>3</b>      | dB                    |
| Peak power at 25°C (1μs, 1%)  | <b>5000</b>   | W                     |
| Average power at 25°C   |               | W (Free Air Cooled)   |
|   | <b>50</b>     | W (Conduction Cooled) |
| <b>For conduction cooling, a plate 500 cm<sup>2</sup> x 3 mm(78 sq.in*1/8) min. is required</b> |               |                       |

**MECHANICAL CHARACTERISTICS**

|            |                 |                    |                    |
|------------|-----------------|--------------------|--------------------|
| Connectors | <b>N</b>        | <b>Male Female</b> | <b>MIL-C 39012</b> |
| Weight     | <b>286,0900</b> | g                  |                    |

**ENVIRONMENTAL CHARACTERISTICS**

|                             |                  |    |
|-----------------------------|------------------|----|
| Operating temperature range | <b>-55 /+125</b> | °C |
| Storage temperature range   | <b>-55 /+125</b> | °C |



**SPECIFICATION**

**OTHER CHARACTERISTICS**

## X-ON Electronics

Largest Supplier of Electrical and Electronic Components

*Click to view similar products for [Attenuators - Interconnects](#) category:*

*Click to view products by [Radiall](#) manufacturer:*

Other Similar products are found below :

[R411803119](#) [R413806115](#) [R413808000](#) [R413810115](#) [R413850115](#) [R414510000](#) [R414701000](#) [R415303000](#) [BNC-13](#) [R411800121](#)  
[R411801121](#) [R412412124](#) [R412450000](#) [R413800000](#) [R413805000](#) [R413830000](#) [R413840115](#) [R414730000](#) [R415420000](#) [R415703000](#)  
[R416010000](#) [R420003110](#) [R411801000](#) [R411815121](#) [R413305000](#) [R413801000](#) [R414520000](#) [R411808121](#) [R412500124](#) [R412414124](#)  
[R412501124](#) [HMC-C584](#) [R413802000](#) [R412400124](#) [R411700124](#) [R417310130](#) [R411801119](#) [R412419124](#) [R411703124](#) [R412401124](#)  
[R443131000](#) [R417130110](#) [R414700000](#) [R414505000](#) [R411802119](#) [R417720128](#) [R420706110](#) [R413811000](#) [R413803115](#) [R414501000](#)