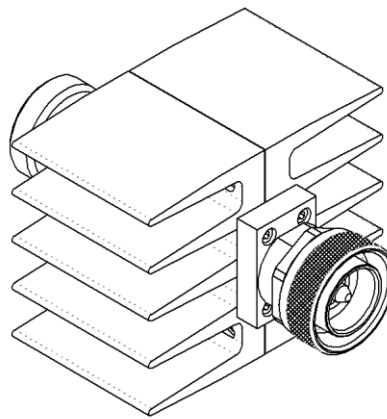
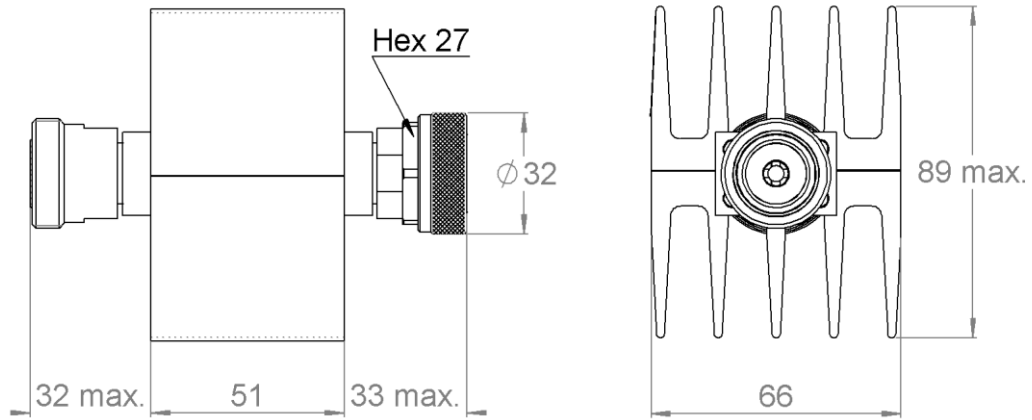


|          |                        |                             |                               |
|----------|------------------------|-----------------------------|-------------------------------|
| PAGE 1/2 | ISSUE <b>09-10-18B</b> | SERIES<br><b>ATTENUATOR</b> | PART NUMBER <b>R420006110</b> |
|----------|------------------------|-----------------------------|-------------------------------|



All dimensions are in mm. Tolerances according ISO 2768 m-H



| COMPONENTS            | MATERIALS               | PLATING ( $\mu\text{m}$ )                |
|-----------------------|-------------------------|--|
| Body                  | <b>BRASS</b>            | <b>BBR 3</b>                             |
| Male center contact   | <b>BERYLLIUM COPPER</b> | <b>GOLD 0.5 OVER NICKEL PHOSPHORUS 2</b> |
| Female center contact | <b>BERYLLIUM COPPER</b> | <b>GOLD 0.5 OVER NICKEL PHOSPHORUS 2</b> |
| Outer contact         | <b>BRASS</b>            | <b>BBR 0.5 OVER SILVER 5</b>             |
| Insulator             | <b>PTFE</b>             |  |
| Gasket                | <b>SILICONE RUBBER</b>  |  |
| Substrate             | <b>ALUMINA</b>          |  |
| Resistor              | <b>THICK FILM</b>       |  |
| Others parts          | <b>ALUMINIUM</b>        | <b>BLACK PAINTING</b>                    |

|          |                        |                             |                               |
|----------|------------------------|-----------------------------|-------------------------------|
| PAGE 2/2 | ISSUE <b>09-10-18B</b> | SERIES<br><b>ATTENUATOR</b> | PART NUMBER <b>R420006110</b> |
|----------|------------------------|-----------------------------|-------------------------------|

**ELECTRICAL CHARACTERISTICS**

|                      |               |              |              |
|----------------------|---------------|--------------|--------------|
| Frequency (GHz)      | <b>DC - 1</b> | <b>1 - 2</b> | <b>2 - 3</b> |
| V.S.W.R ( $\leq$ )   | <b>1.10</b>   | <b>1.25</b>  | <b>1.35</b>  |
| Deviation( $\pm$ dB) | <b>0.70</b>   | <b>0.70</b>  | <b>0.70</b>  |

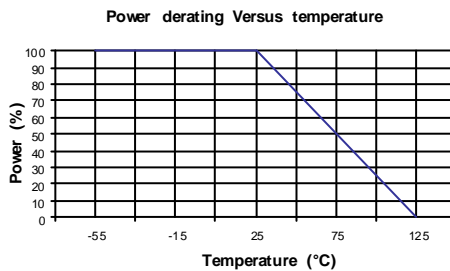
|                                    |               |                       |
|------------------------------------|---------------|-----------------------|
| Operating Frequency Range          | <b>DC - 3</b> | GHz                   |
| Impedance                          | <b>50</b>     | $\Omega$              |
| Nominal Attenuation                | <b>6</b>      | dB                    |
| Peak power at 25°C (1 $\mu$ s, 1%) | <b>5000</b>   | W                     |
| Average power at 25°C              | <b>50</b>     | W (Free Air Cooled)   |
|                                    |               | W (Conduction Cooled) |

**MECHANICAL CHARACTERISTICS**

|            |                   |                    |                  |
|------------|-------------------|--------------------|------------------|
| Connectors | <b>7-16</b>       | <b>Male Female</b> | <b>IEC 169-4</b> |
| Weight     | <b>535,9200 g</b> |                    |                  |

**ENVIRONMENTAL CHARACTERISTICS**

|                             |                     |
|-----------------------------|---------------------|
| Operating temperature range | <b>-55 /+125</b> °C |
| Storage temperature range   | <b>-55 /+125</b> °C |


**SPECIFICATION**
**OTHER CHARACTERISTICS**

## X-ON Electronics

Largest Supplier of Electrical and Electronic Components

*Click to view similar products for [Attenuators - Interconnects](#) category:*

*Click to view products by [Radiall](#) manufacturer:*

Other Similar products are found below :

[R411803119](#) [R413806115](#) [R413808000](#) [R413810115](#) [R413850115](#) [R414510000](#) [R414701000](#) [BNC-13](#) [R411800121](#) [R411801121](#)  
[R412412124](#) [R412450000](#) [R413800000](#) [R413805000](#) [R413830000](#) [R413840115](#) [R414730000](#) [R415420000](#) [R415703000](#) [R416010000](#)  
[R420003110](#) [R411801000](#) [R411815121](#) [R413305000](#) [R413801000](#) [R414520000](#) [R411808121](#) [R412500124](#) [R412414124](#) [R412501124](#)  
[HMC-C584](#) [R413802000](#) [R412400124](#) [R411700124](#) [R417310130](#) [R411801119](#) [R412419124](#) [R411703124](#) [R412401124](#) [R443131000](#)  
[R417130110](#) [R414700000](#) [R414505000](#) [R411802119](#) [R417720128](#) [R420706110](#) [R413811000](#) [R413803115](#) [R414501000](#) [R417903128](#)