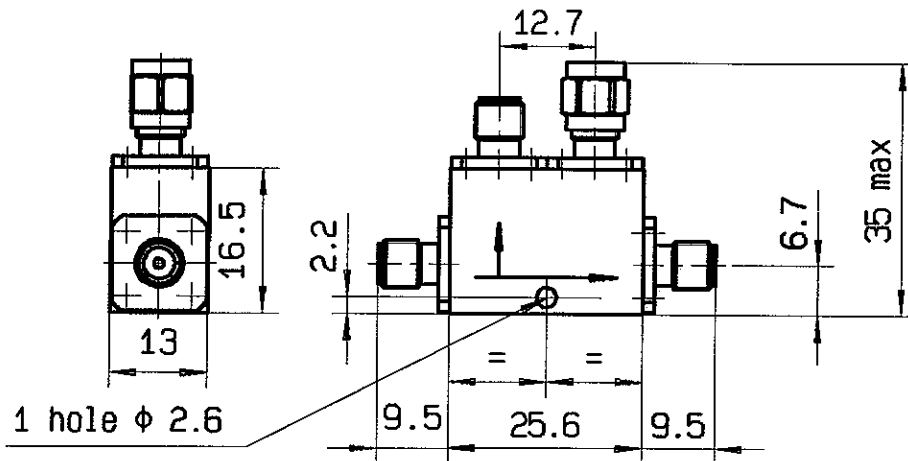




50 W 12.4 - 18 GHz 30dB DIRECTIONAL COUPLER

Issue
08. jul. 94

Page
1 / 1



R F CHARACTERISTICS

General tolerances: +/- 0.5 mm

FREQUENCY RANGE	:	12.4- 18 GHz
IMPEDANCE	:	50 Ohms
COUPLING (*)	:	30 dB ± 1 dB
FREQUENCY SENSITIVITY	:	± 0.5 dB
DIRECTIVITY	:	>= 15 dB
INSERTION LOSS	:	<= 0.5 dB
V.S.W.R	- Main line	<= 1.35
	- Coupled line	<= 1.45
AVERAGE POWER at 25°C	:	50 W
PEAK POWER at 25°C (1µs,1%)	:	3 kW

MECHANICAL CHARACTERISTICS

CONNECTORS	:	SMA female per MIL-C 39012
COAXIAL TERMINATION	:	50 Ohms, 1
WEIGHT	:	< 30 g

ENVIRONMENTAL CHARACTERISTICS

OPERATING TEMPERATURE RANGE (°C)	:	-25 , +85
STORAGE TEMPERATURE RANGE (°C)	:	-40 , +100

* : Frequency sensitivity is included in coupling

This information is given as an indication. In the continual goal to improve our products, we reserve the right to make any modifications judged necessary

4112-9212

CREATION					
N° :					
PEN/EP:CAT					
Name: TB					
Date: 08. jul. 94					
APP.: VE					
ISSUE		REVISIONS		NAME	APPR.

RADIALL®

101. rue P. Hoffmann - Z.I Ouest-
93116 ROSNY/BOIS Cedex-FRANCE
Phone: 33(1)49353535
Fax : 33(1)48546363
Tlx RADI A 235220F

X-ON Electronics

Largest Supplier of Electrical and Electronic Components

Click to view similar products for [RF Connectors / Coaxial Connectors](#) category:

Click to view products by [Radiall](#) manufacturer:

Other Similar products are found below :

[8915-1511-000](#) [89674-0827](#) [6001-7071-019](#) [6002-7051-003](#) [6002-7551-202](#) [6059674-1](#) [619550-1](#) [630059-000](#) [M39030/3-01N](#) [6500-7071-046](#) [6769](#) [CX050L2AQ](#) [7002-1541-010](#) [7002-1542-011](#) [7004-1512-000](#) [7009-1511-004](#) [7010-1511-000](#) [7029-1511-060](#) [7101-1541-010](#) [7101-1571-002](#) [7145-1521-002](#) [7203-1571-003](#) [7209-1511-011](#) [7210-1511-015](#) [7210-1511-019](#) [73137-5015](#) [73216-2241](#) [73404-2300](#) [7405-1521-005](#) [7405-1521-802](#) [8527](#) [8547](#) [FS11V](#) [877931](#) [8808-1511-001](#) [9049-9513-000](#) [9074-9513-000](#) [9101-9573-002](#) [910A205F](#) [9130-9573-002](#) [PL11SC-026](#) [PL375-33](#) [PL40-5](#) [PL74C-221](#) [PL75MC-217](#) [PL803-7](#) [980-8666-005](#) [1200690078](#) [1-201144-1](#) [R107003010W](#)