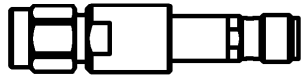
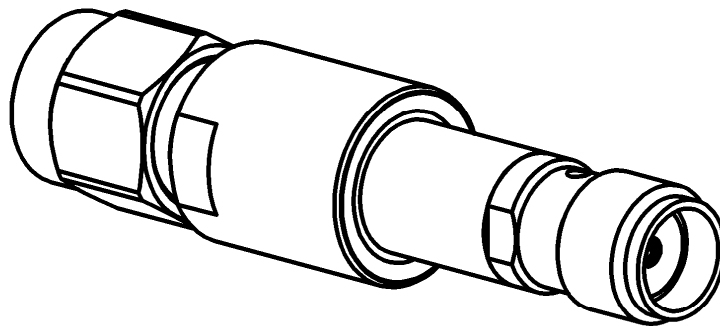
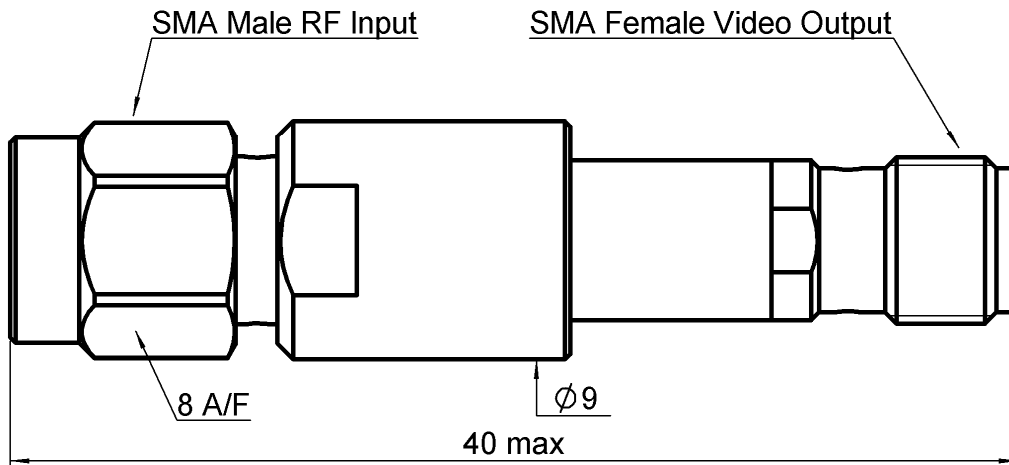


**SMA M/F DETECTOR**

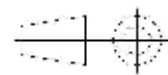
**8 - 10 GHZ**

**R451.542.350**

Series : **DETECTOR**



SCALE 1:1



All dimensions are in mm.

Weight **9,6600 g**

Specification

**Issue : 1047 A**

In the effort to improve our products, we reserve the right to make changes judged to be necessary.

**SMA M/F DETECTOR****8 - 10 GHZ****R451.542.350**Series : **DETECTOR****ELECTRICAL CHARACTERISTICS**

FREQUENCY RANGE (GHz)	8 – 10
IMPEDANCE	50 Ohms
SENSITIVITY LEVEL (from -10°C to +85°C) Input Power = 0 dBm - Load 4.7 kΩ	> 100 mV
Output voltage reliability -10°C to +85°C Same lot	10%
FREQUENCY RESPONSE	
8 - 10 GHz	± 0.5 dB
VSWR	
8 – 10 GHz	<= 1.50
INPUT POWER	10 dBm max
PEAK POWER	2W (10 nS , 1mS)
OUTPUT POLARITY	Negative
FILTERING CAPACITY (Typical)	20 pF
DIODE	Schottky "Zero Bias"

**MECHANICAL CHARACTERISTICS**

RF INPUT CONNECTOR	SMA Male Per MIL C 39012
VIDEO OUTPUT CONNECTOR	SMA Female Per MIL C 39012

**ENVIRONMENTAL CHARACTERISTICS**

OPERATING TEMPERATURE RANGE (°C)	- 20 / +85
STORAGE TEMPERATURE RANGE (°C)	- 40 / +85

**Issue : 1047 A**

In the effort to improve our products, we reserve the right to make changes judged to be necessary.



## X-ON Electronics

Largest Supplier of Electrical and Electronic Components

*Click to view similar products for [RF Connectors / Coaxial Connectors](#) category:*

*Click to view products by [Radiall](#) manufacturer:*

Other Similar products are found below :

[8915-1511-000](#) [89674-0827](#) [6001-7071-019](#) [6002-7051-003](#) [6002-7551-202](#) [6059674-1](#) [619550-1](#) [630059-000](#) [M39030/3-01N](#) [6500-7071-046](#) [6769](#) [CX050L2AQ](#) [7002-1541-010](#) [7002-1542-011](#) [7004-1512-000](#) [7009-1511-004](#) [7010-1511-000](#) [7029-1511-060](#) [7101-1541-010](#) [7101-1571-002](#) [7145-1521-002](#) [7203-1571-003](#) [7209-1511-011](#) [7210-1511-015](#) [7210-1511-019](#) [73137-5015](#) [73216-2241](#) [73404-2300](#) [7405-1521-005](#) [7405-1521-802](#) [8527](#) [8547](#) [FS11V](#) [877931](#) [8808-1511-001](#) [9049-9513-000](#) [9074-9513-000](#) [9101-9573-002](#) [910A205F](#) [9130-9573-002](#) [PL11SC-026](#) [PL375-33](#) [PL40-5](#) [PL74C-221](#) [PL75MC-217](#) [PL803-7](#) [1200690078](#) [1-201144-1](#) [R107003010W](#) [R110A172100](#)