

COAXIAL DEVICES

N - BNC Detectors up to 18 GHz

WIDE BAND AND CRYSTAL

	PART NUMBER		Connectors		Frequency range (GHz)
	Negative polarity	Positive polarity	RF Input	Video output	
WIDE BAND	R451574000	R451574500	N male	BNC female	.01 - 12.4
	R451576000	R451576500	N male	BNC female	.01 - 18
	R451572120		N male	BNC female	2.45
CRYSTAL DETECTOR	R451570000	R451570500	N male	BNC female	.01 - 4
	R451075000		N male	BNC female	.01 - 10

NOTA : If the active part of these detectors is damaged, it can be replaced by removable cartridge :

R451950000	for model	R451574000
R451952000	for model	R451574500
R451953000	for model	R451576000
R451954000	for model	R451576500

SPECIFICATIONS FOR WIDE BAND COAXIAL DETECTORS

Impedance (Ω)	50		
Frequency range (GHz)	.01 - 12.4 / .01 - 18		2.45 \pm .05
	.01 - 8	8 - 12.4	12.4 - 18
V.S.W.R.	\leq 1.35	\leq 1.50	
Frequency response	\pm 0.2	\pm 0.5	\pm 1
Tangential sensitivity min (dB)	- 44		
Sensitivity Low level (input power < - 20 dBm) High level (input power = 0.35 mW)	> 500 mV / mW > 100 mV		80
Square law response limit (dBm)	- 12		
Average power max.CW (mW)	200		
Peak power max.CW (W)	2 (10ns, 1ms)		
Video impedance (k Ω)	1 (typical)		
Filtering capacity (pF)	20 (typical)		
Polarity	Negative or Positive		
RF input connector	N (male)		
Video output connector	BNC (female)		
Diode	SCHOTTKY "zero bias"		
Weight (g)	120		

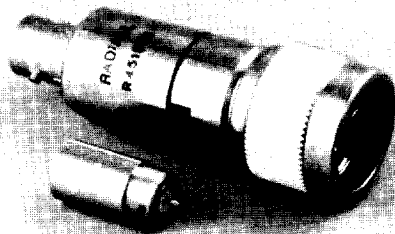
SPECIFICATIONS FOR CRYSTAL COAXIAL DETECTORS

Frequency range (GHz)	.01 - 10		
	.01 - 1	1 - 4	1 - 10
V.S.W.R.	1 : 1.6 (Typical value)	No specified	No specified
Sensitivity (mV / mW)	> 40		
Average power max.CW (mW)	100		

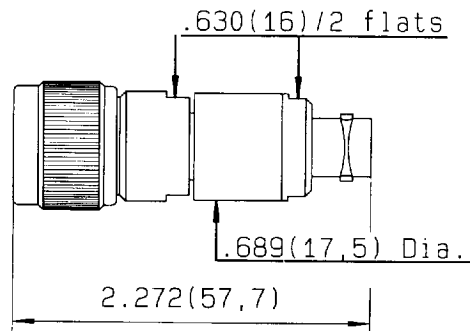
COAXIAL DEVICES

N - BNC Detectors up to 18 GHz

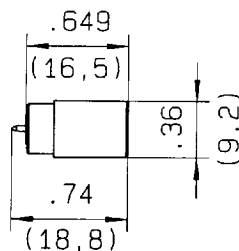
WIDE BAND AND CRYSTAL



TYPICAL OUTLINE DRAWING



Removable cartridge



X-ON Electronics

Largest Supplier of Electrical and Electronic Components

Click to view similar products for [RF Adapters - Between Series category:](#)

Click to view products by [Radiall manufacturer:](#)

Other Similar products are found below :

[5945-9503-000](#) [MCX/F-SMA/M](#) [R192417010](#) [ADBJ20-E1-BJ379](#) [ADM2](#) [ADPL75-A1-PL75](#) [242191](#) [9317505](#) [29-3835P](#) [AD130](#) [ADBJ20-E1-PL74](#) [ADBJ20-E2-BJ79](#) [ADBJ77-E1-UPL20](#) [ADRMF370](#) [242215](#) [242228](#) [R125680000W](#) [R192430000](#) [UAD95](#) [1057367-1](#) [8311505](#) [R114704000](#) [R451034500](#) [R451030500](#) [R451543000](#) [HDVDPN](#) [ADBJ20-K1-PL20](#) [R451570000](#) [R192419000](#) [R451034000](#) [J9](#) [J3WE-5](#) [R451032500](#) [242201RP](#) [17K132-K00S5](#) [AD-RSMAF-RTNC](#) [53K156-K00N5](#) [02K119-K00E3](#) [29S132-K01N5](#) [53S156-K00N5](#) [02S119-S00E3](#) [28K132-K00N5](#) [02S109-K00S3](#) [27-8200TP](#) [242235](#) [ADBJ20-E1-BJ89](#) [000-2900](#) [321-102-003 \(SMA-50/2-H155/W1.03 AU\)](#) [1057377-1](#) [321-350-001 \(SMA-50-R/2-RG316/N2.01\)](#)