

PAGE 1/2

ISSUE 17.12.13

SERIE : SPnT

PART NUMBER : R574F03410

## RF CHARACTERISTICS

Number of ways : 4  
 Frequency range : 0 - 26.5 GHz  
 Impedance : 50 Ohms

| Frequency (GHz)    | DC - 3  | 3 - 8   | 8 - 12.4 | 12.4 - 18 | 18-26.5 |
|--------------------|---------|---------|----------|-----------|---------|
| VSWR max           | 1,20    | 1,30    | 1,40     | 1,50      | 1,70    |
| Insertion loss max | 0.20 dB | 0.30 dB | 0.40 dB  | 0.50 dB   | 0.70 dB |
| Isolation min      | 80 dB   | 70 dB   | 60 dB    | 60 dB     | 50 dB   |
| Average power (*)  | 240 W   | 150 W   | 120 W    | 100 W     | 40 W    |

TERMINATION IMPEDANCE : 50 Ohms  
 TERM. AVG. POWER AT 25° C : 1 W per termination / 3 W total power

## ELECTRICAL CHARACTERISTICS

Actuator : NORMALLY OPEN  
 Nominal current \*\* : 102 mA  
 Actuator voltage (Vcc) : 28V (24 to 30V) / POSITIVE COMMON  
 Terminals : solder pins (250°C max. / 30 sec.)

## MECHANICAL CHARACTERISTICS

Connectors : SMA female per MIL-C 39012  
 Life : 2.000.000 cycles per position  
 Switching Time\*\*\* : < 15 ms  
 Construction : Splashproof  
 Weight : < 250 g

## ENVIRONMENTAL CHARACTERISTICS

Operating temperature range : -40°C to +85°C  
 Storage temperature range : -55°C to +85°C

(\* Average power at 25°C per RF Path)

(\*\* At 25° C ±10%)

(\*\*\* Nominal voltage ; 25° C)



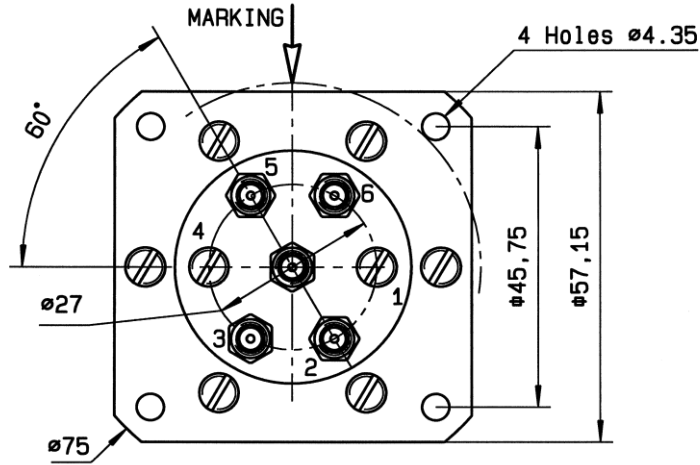
PAGE 2/2

ISSUE 17.12.13

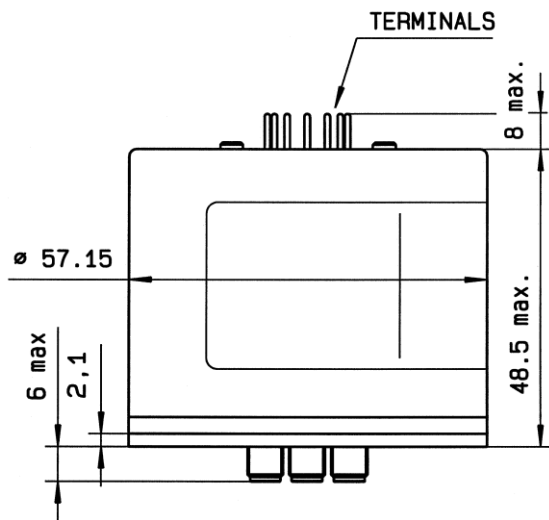
SERIE : SPnT

PART NUMBER : R574F03410

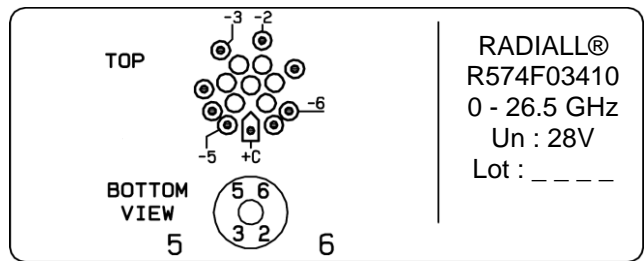
DRAWING



| Voltage | RF Continuity |
|---------|---------------|
| +C -2   | IN ↔ 2        |
| +C -3   | IN ↔ 3        |
| +C -5   | IN ↔ 5        |
| +C -6   | IN ↔ 6        |

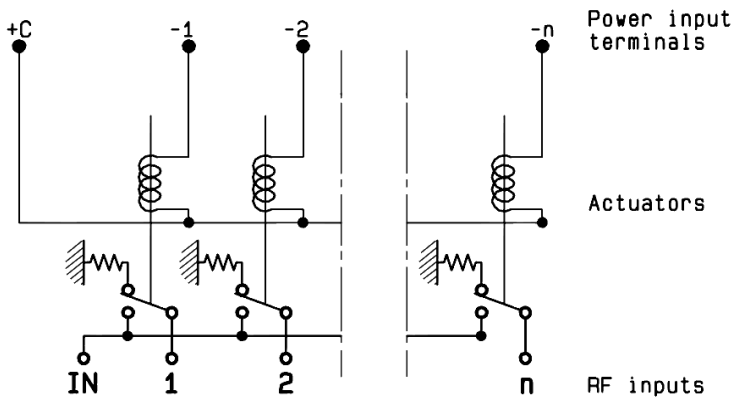


**LABEL**



General tolerances : ±0.5 mm

SCHEMATIC DIAGRAM



## X-ON Electronics

Largest Supplier of Electrical and Electronic Components

*Click to view similar products for [Coaxial Switches](#) category:*

*Click to view products by [Radiall](#) manufacturer:*

Other Similar products are found below :

[CR-53S10](#) [R599311000](#) [R599906000](#) [R599910000](#) [CCT-38S150-T](#) [CR-58S160](#) [MS180LH3-HRMJ-040V300A](#) [R599312000](#) [R512F73417](#)  
[R514F73417](#) [R595333210](#) [R595F53225](#) [R591363400](#) [R595433410](#) [R595333215](#) [R595337220](#) [R595343115](#) [R595343125](#) [R591362440](#)  
[R593373148](#) [R595343215](#) [CCR-33K40](#) [R595357325](#) [CCS-18N480-TDS](#) [R591702640](#) [R591763600](#) [R591703620](#) [CR-33K10](#) [R599313000](#)  
[R516431100](#) [R591722605](#) [ARD15105](#) [MS156LH1-HRMJ-088V300A](#) [R570412000](#) [R570412100](#) [R570413000](#) [R570422100](#) [R570423000](#)  
[R570432000](#) [R570433000](#) [R570442000](#) [R570442100](#) [R570412030](#) [R570423030](#) [R570432010](#) [R570433100](#) [R570443030](#) [R570442010](#)  
[R570413030](#) [R570452000](#)