

PAGE 1/2

ISSUE 23-02-21

SERIE : SPnT

PART NUMBER : R583423141

RF CHARACTERISTICS*

Number of ways : **6**
 Frequency range : **0 - 18 GHz**
 Impedance : **50 Ohms**

Frequency (GHz)	DC - 3	3 - 8	8 - 12.4	12.4 - 18
VSWR max	1.20	1.30	1.40	1.50
Insertion loss max	0.20 dB	0.30 dB	0.40 dB	0.50 dB
Isolation min	80 dB	70 dB	60 dB	60 dB

Average power (**)	240 W	150 W	120 W	100 W

Cryogenic characteristics are not measured during product acceptance test.
 RF performances are based on customers test reports.

ELECTRICAL CHARACTERISTICS

Actuator*** : **LATCHING**
 Nominal current at 25°C (±10%) : **62.5 mA**
 Actuator voltage (Vcc) : **28V (24 to 30V)**
 Terminals : **15 pins D-SUB male connector**

MECHANICAL CHARACTERISTICS

Connectors : **SMA female per MIL-C 39012**
 Life : **5.000.000 cycles per position**
 Switching Time (nominal voltage at 25°C) : **< 15 ms**
 Construction : **Splashproof**
 Weight : **< 180 g**

ENVIRONMENTAL CHARACTERISTICS

Operating temperature range : **-273°C to +85°C**
 Storage temperature range : **-273°C to +85°C**

- (* Specified with only one way switched)
- (** Average power at 25°C per RF Path)
- (*** More than one position can be switched at the same time)



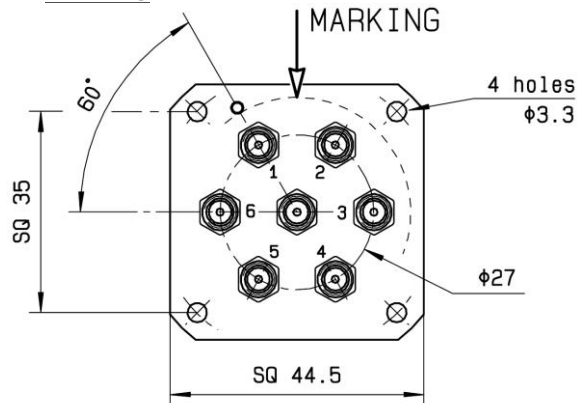
PEN20189059

Name : VB

Date : 23/02/2021

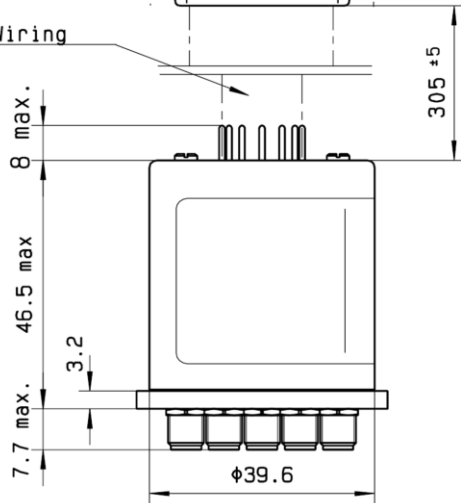
23-02-21		Update informations	FJ
Issue		Revision	App.

DRAWING



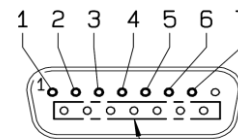
15 pins D-SUB male connector

Wiring



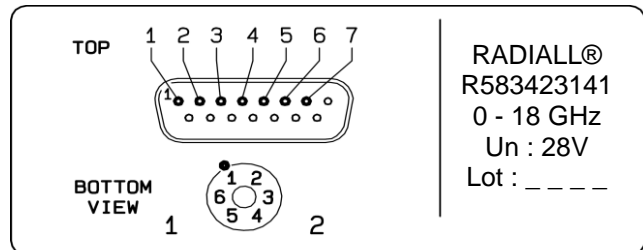
General tolerances : ±0.5 mm

Voltage		RF Continuity
+	-	
1	2	IN ↔ 1 closed
2	1	IN ↔ 1 open
2	3	IN ↔ 2 closed
3	2	IN ↔ 2 open
3	4	IN ↔ 3 closed
4	3	IN ↔ 3 open
4	5	IN ↔ 4 closed
5	4	IN ↔ 4 open
5	6	IN ↔ 5 closed
6	5	IN ↔ 5 open
6	7	IN ↔ 6 closed
7	6	IN ↔ 6 open



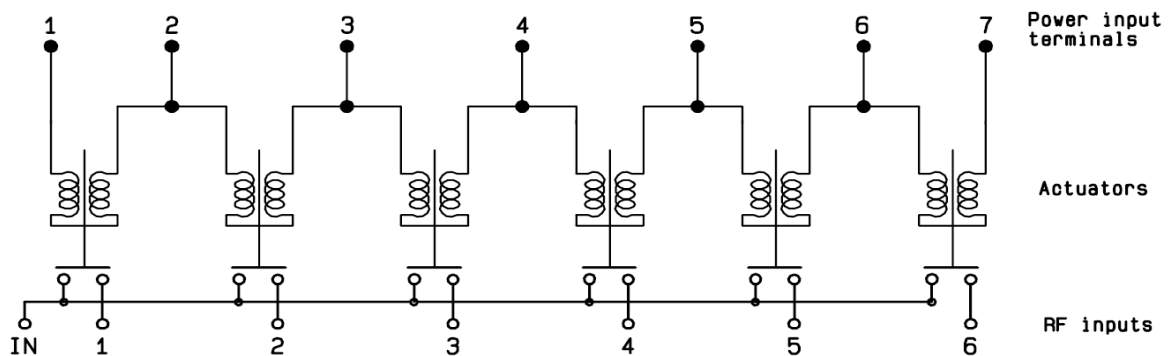
Do not use these pins to avoid malfunction

LABEL



SCHEMATIC DIAGRAM

To reduce impact on system temperature, the same magnetic field can be applied with half current. Reset can be accomplished by reversing the direction of current in the circuit.



X-ON Electronics

Largest Supplier of Electrical and Electronic Components

Click to view similar products for [Coaxial Switches](#) category:

Click to view products by [Radiall](#) manufacturer:

Other Similar products are found below :

[CR-53S10](#) [R599311000](#) [R599906000](#) [R599910000](#) [CCT-38S150-T](#) [CR-58S160](#) [MS180LH3-HRMJ-040V300A](#) [R599312000](#) [R512F73417](#)
[R514F73417](#) [R595333210](#) [R595F53225](#) [R591363400](#) [R595433410](#) [R595333215](#) [R595337220](#) [R595343115](#) [R595343125](#) [R591362440](#)
[R593373148](#) [R595343215](#) [CCR-33K40](#) [R595357325](#) [CCS-18N480-TDS](#) [R591702640](#) [R591763600](#) [R591703620](#) [CR-33K10](#) [R599313000](#)
[R516431100](#) [R591722605](#) [ARD15105](#) [MS156LH1-HRMJ-088V300A](#) [R570412000](#) [R570412100](#) [R570413000](#) [R570422100](#) [R570423000](#)
[R570432000](#) [R570433000](#) [R570442000](#) [R570442100](#) [R570412030](#) [R570423030](#) [R570432010](#) [R570433100](#) [R570443030](#) [R570442010](#)
[R570413030](#) [R570452000](#)