

Material: Aluminium with Cr3 passivation

For models with connectors SMA, QMA, SMA 2.9

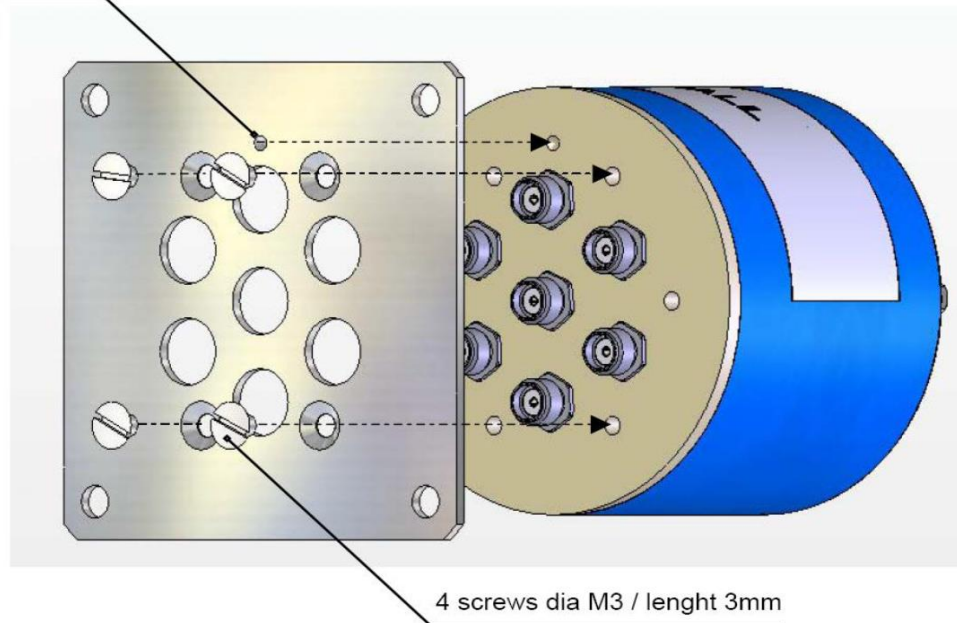
Model	Type	Options	Number of positions	RADIALL part number
R573 series	All *	All *	3 to 6	R599310000
R574 series	All	All	3 to 6	R599311000
R573 series R574 series	All	All	8	R599312000
R573 series R574 series	All	All	10	R599313000
R573 series R574 series	All	All	12	R599314000

(* Excepted type 0 or 1 with option 0 - 1 - 3 or 4 and type 2 or 3 with option 0 or 1)

MOUNTING PROCESS

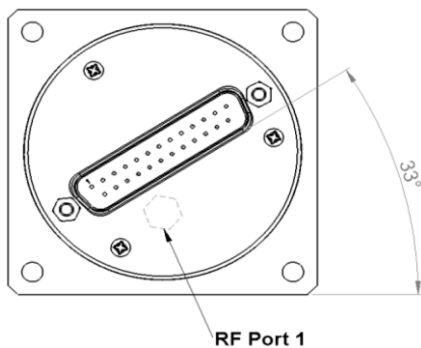
- 1) Assemble the Square flange on the RF body of the switch as the following drawing below.
CAUTION: don't forget to position correctly the reference mark of port 1
- 2) Screw the four screws (delivered with the square flange)

reference mark of port 1

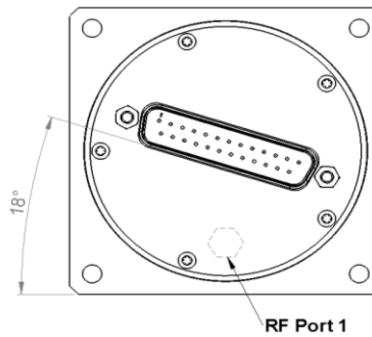


D-SUB CONNECTOR LOCATION

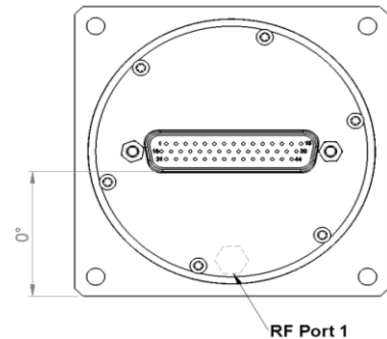
R573 & R574
3 to 6 positions



R573 & R574
9 & 10 positions



R573 & R574
7 & 8 positions
11 & 12 positions



X-ON Electronics

Largest Supplier of Electrical and Electronic Components

Click to view similar products for [Coaxial Switches](#) category:

Click to view products by [Radiall](#) manufacturer:

Other Similar products are found below :

[CR-53S10](#) [R599311000](#) [R599906000](#) [R599910000](#) [CCT-38S150-T](#) [CR-58S160](#) [MS180LH3-HRMJ-040V300A](#) [R599312000](#) [R512F73417](#)
[R514F73417](#) [R595333210](#) [R595F53225](#) [R591363400](#) [R595433410](#) [R595333215](#) [R595337220](#) [R595343115](#) [R595343125](#) [R591362440](#)
[R593373148](#) [R595343215](#) [CCR-33K40](#) [R595357325](#) [CCS-18N480-TDS](#) [R591702640](#) [R591763600](#) [CR-33K10](#) [R599313000](#) [R516431100](#)
[R591722605](#) [ARD15105](#) [MS156LH1-HRMJ-088V300A](#) [R570412000](#) [R570412100](#) [R570413000](#) [R570422100](#) [R570423000](#) [R570432000](#)
[R570433000](#) [R570442000](#) [R570442100](#) [R570412030](#) [R570423030](#) [R570432010](#) [R570433100](#) [R570443030](#) [R570463100](#) [R570442010](#)
[R570413030](#) [R570452000](#)