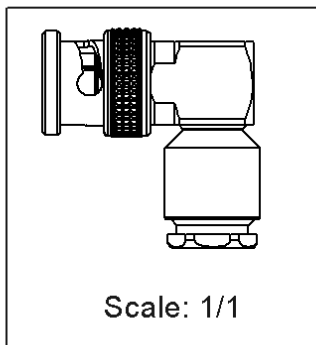
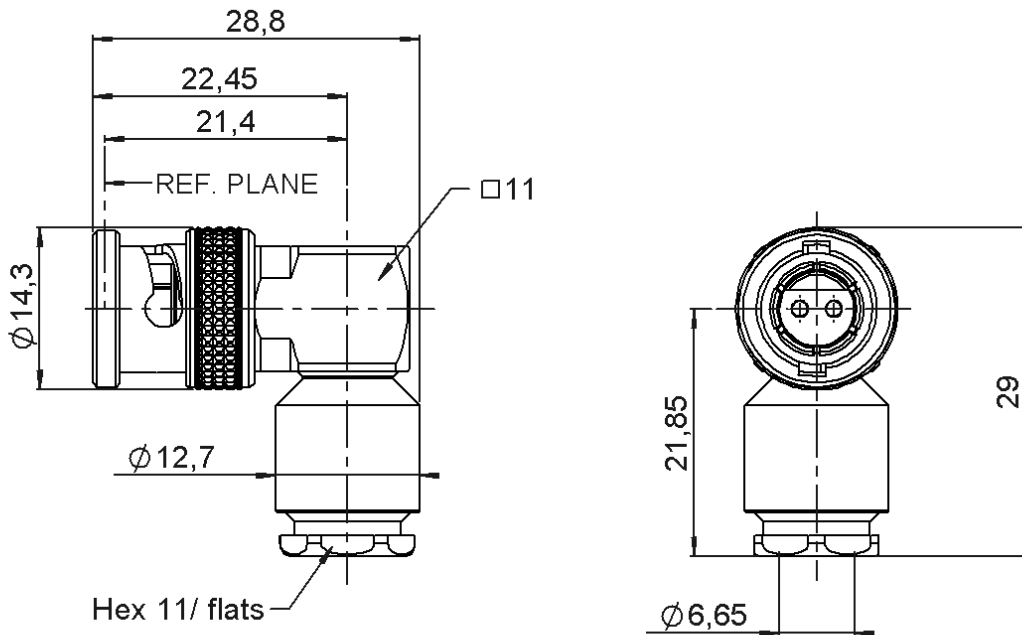
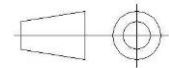


PAGE 1/4	ISSUE 23-06-16A	SERIES BR2	PART NUMBER R605156000
----------	-----------------	------------	------------------------



All dimensions are in mm.



COMPONENTS	MATERIALS	PLATING (µm)
Body	BRASS	NICKEL
Center contact	BRASS	SILVER 5
Outer contact	BRASS	NICKEL
Insulator	PTFE , POLYAMIDE	
Gasket	SILICONE RUBBER	
Others parts	BRASS	NICKEL
-	-	-
-	-	-

PAGE 2/4	ISSUE 23-06-16A	SERIES BR2	PART NUMBER R605156000
-----------------	------------------------	-------------------	-------------------------------

PACKAGING

Standard	Unit	Other
1	Contact us	Contact us

ELECTRICAL CHARACTERISTICS

Impedance	80	Ω
Frequency	0-0.5	GHz
VSWR	NA + 0,0000	x F(GHz) Maxi
Insertion loss	NA	\sqrt{F} (GHz) dB Maxi
RF leakage	- (NA)	- F(GHz)) dB Maxi
Voltage rating	500	Veff Maxi
Dielectric withstanding voltage	1500	Veff mini
Insulation resistance	5000	M Ω mini

MECHANICAL CHARACTERISTICS

Center contact retention		
Axial force – Mating End	27	N mini
Axial force – Opposite end	27	N mini
Torque	NA	N.cm mini
Recommended torque		
Mating	-	N.cm
Panel nut	-	N.cm
Clamp nut	450	N.cm
A/F clamp nut	11,0000	mm
Mating life	500	Cycles mini
Weight	0,0000	g

ENVIRONMENTAL

Operating temperature	-40/+100	$^{\circ}\text{C}$
Hermetic seal	NA	Atm.cm3/s
Panel leakage	NA	

SPECIFICATION

CABLE ASSEMBLY

Stripping	a	b	c	d	e	f
mm	3,5	3,5	16	0	13	0

Assembly instruction:

Recommended cable(s)

Characteristics indicated on this data sheet are those that can be achieved with the highest performance cable. Intrinsic limitations of the cable may diminish the performance of the assembly

Cable retention

- pull off	200	N mini
- torque	NA	N.cm

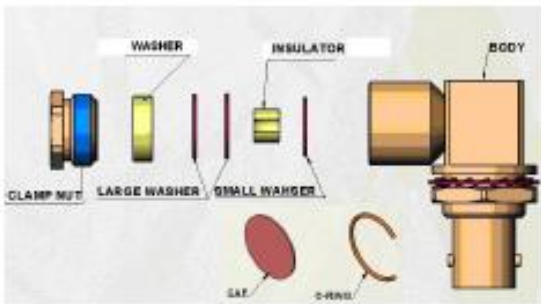
TOOLING

Part Number	Description	Hexagon
.	.	.

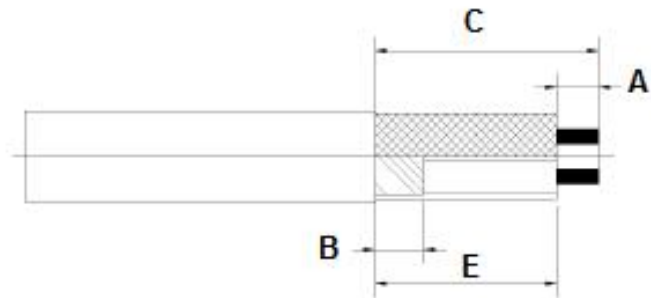
OTHER CHARACTERISTICS

PAGE 3/4	ISSUE 23-06-16A	SERIES BR2	PART NUMBER R605156000
----------	-----------------	------------	------------------------

COMPONENTS



STRIPPING DIMENSIONS



1 Strip the cable as shown in sketch 1.

4 Slide the insulator in the body (notice the orientation)

2 Slide the clamp nut, the washer, the large washer (2 pieces) onto the cable. Slide the small washer over the braid.

5 Insert the cable into the body. Solder the inner conductor.

3 Fold the braid back over the washer. Trim dielectric back as shown in sketch 3. Slide the back nut over the cable assembly.

6 Slide the O-ring in the body. Place the cap into the body. Press on the cap flush or slightly below the surface of the body assembly.

PAGE 4/4

ISSUE 23-06-16A

SERIES BR2

PART NUMBER R605156000

7

Screw sub-assembly into the connector body with the adapted wrench.
Recommended coupling torque (see connector TDS).



X-ON Electronics

Largest Supplier of Electrical and Electronic Components

Click to view similar products for [RF Connectors / Coaxial Connectors](#) category:

Click to view products by [Radiall](#) manufacturer:

Other Similar products are found below :

[8915-1511-000](#) [89674-0827](#) [6001-7071-019](#) [6002-7051-003](#) [6002-7551-202](#) [6059674-1](#) [619550-1](#) [630059-000](#) [M39030/3-01N](#) [6500-7071-046](#) [6769](#) [CX050L2AQ](#) [7002-1541-010](#) [7002-1542-011](#) [7004-1512-000](#) [7009-1511-004](#) [7010-1511-000](#) [7029-1511-060](#) [7101-1541-010](#) [7101-1571-002](#) [7145-1521-002](#) [7203-1571-003](#) [7209-1511-011](#) [7210-1511-015](#) [7210-1511-019](#) [73137-5015](#) [73216-2241](#) [73404-2300](#) [7405-1521-005](#) [7405-1521-802](#) [8527](#) [8547](#) [FS11V](#) [877931](#) [8808-1511-001](#) [9049-9513-000](#) [9074-9513-000](#) [9101-9573-002](#) [910A205F](#) [9130-9573-002](#) [PL11SC-026](#) [PL375-33](#) [PL40-5](#) [PL74C-221](#) [PL75MC-217](#) [PL803-7](#) [980-8666-005](#) [1200690078](#) [1-201144-1](#) [R107003010W](#)