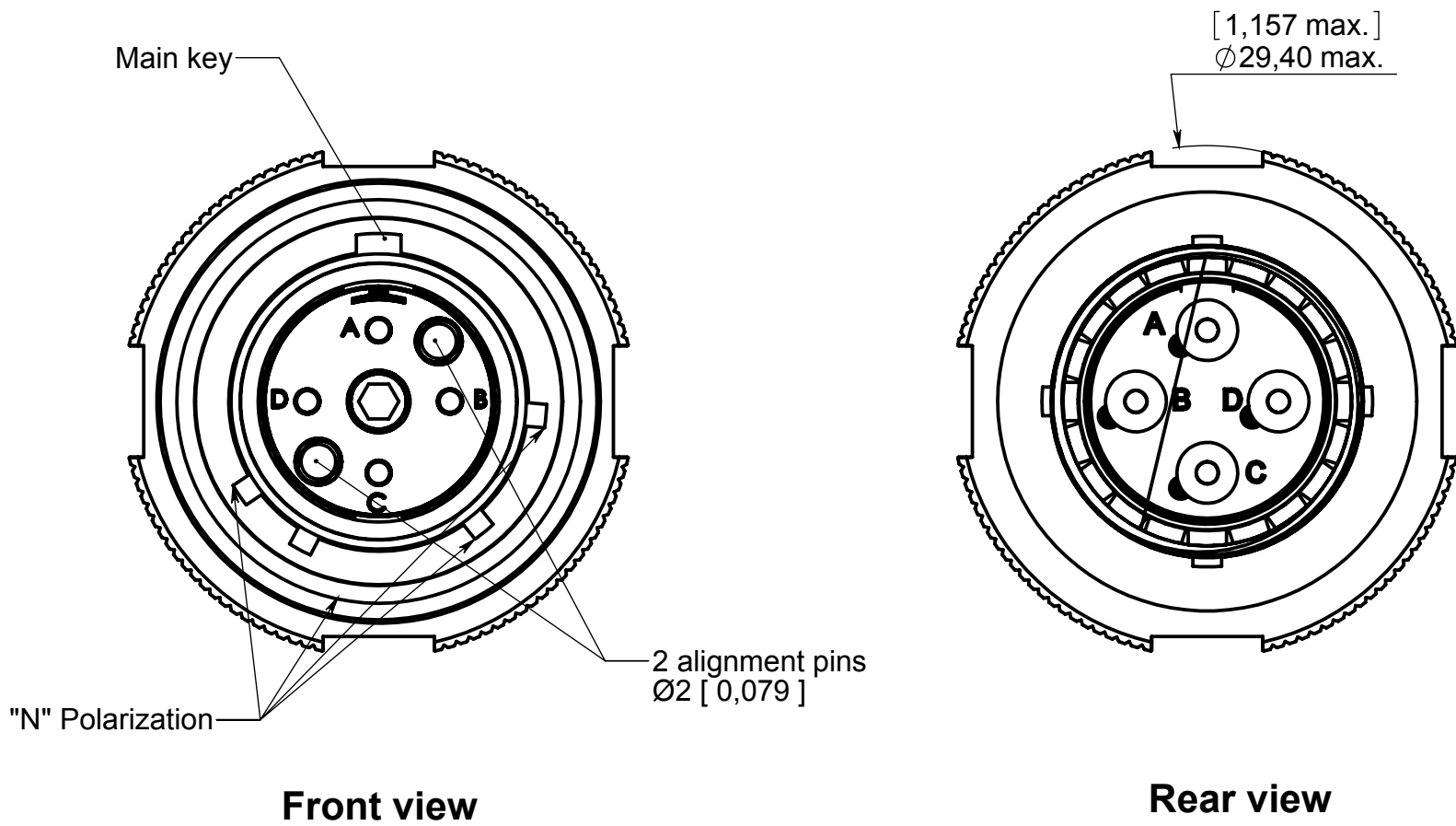


Series
R8

SIZE 13 MIL-DTL-38999 SERIES III PLUG
4 CAVITIES FOR ML or MT LuxCis OPTICAL CONTACTS
SHELL POLARIZATION: N

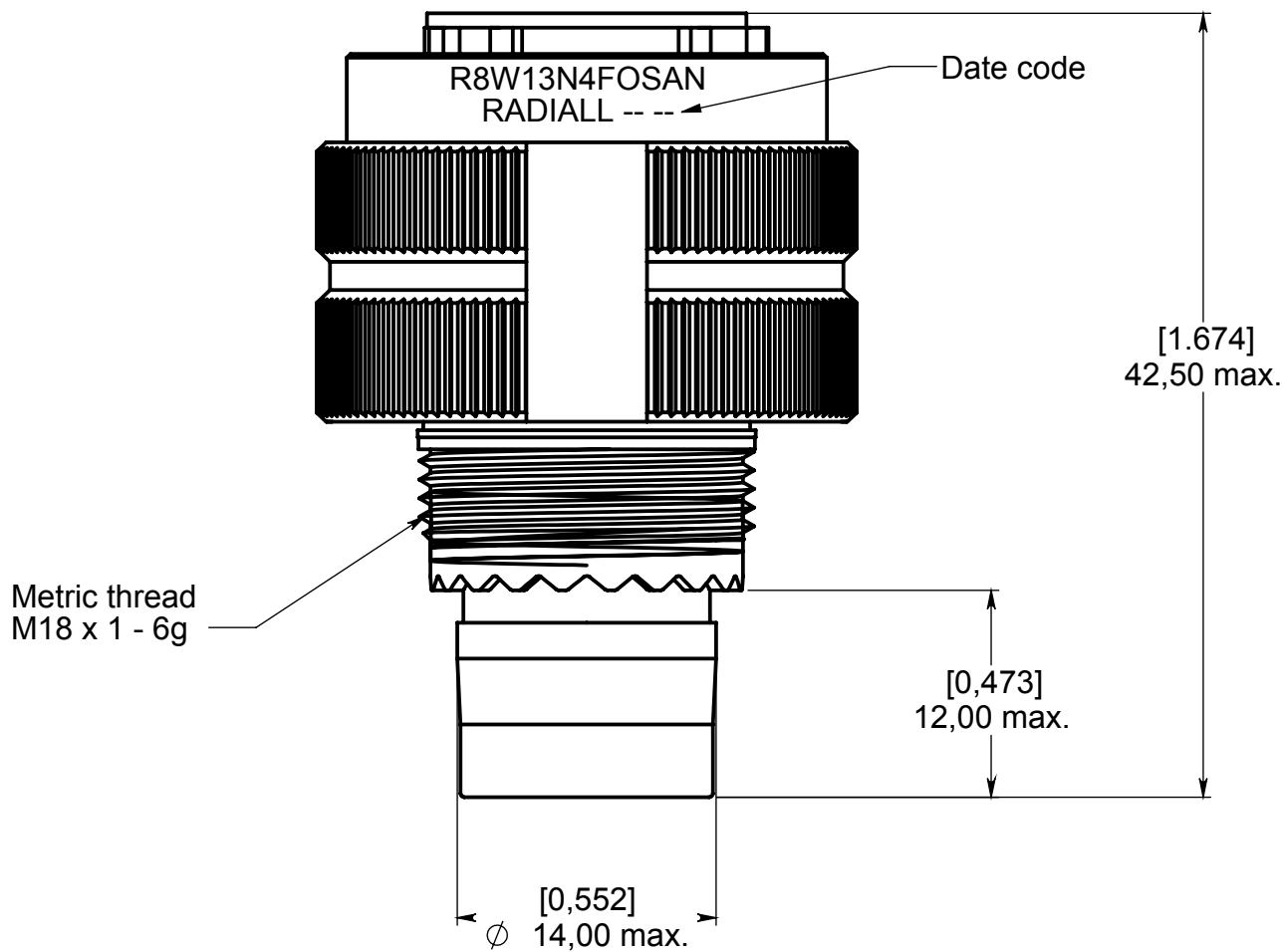
Issue:
March 18, 2011

Page
1/2



Front view

Rear view



DIMENSIONS : mm (inch are given for information only)



CREATION				
PEN: EPM05 006A				
NOM: Perrin H.				
DATE: March 18, 2011				
APPR.: Garcia L.				
Issue	Revisions	Name	Approved	

R8W13N4FOSANEN

RADIALL PROPRIETARY INFORMATION

Confidential information not to be disclosed to third parties without Radiall approval. This information is given as an indication. In the continual goal to improve our products, we reserve the right to make any modifications judged necessary.

4112_9311

MATERIALS:

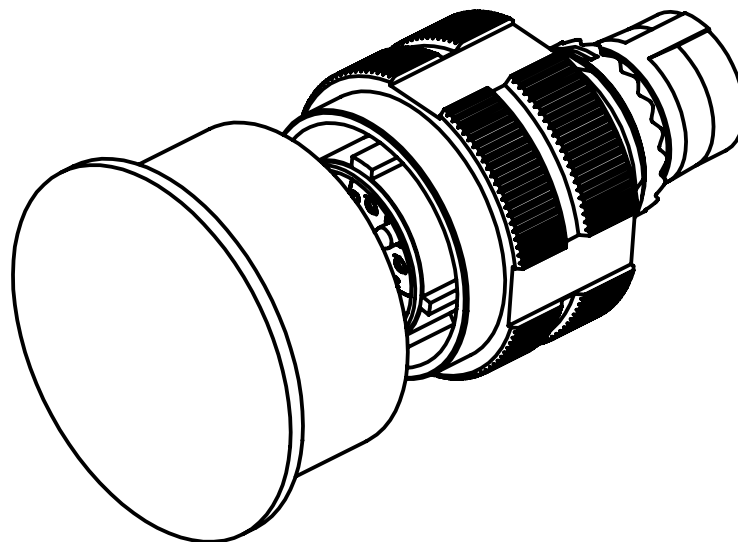
- Shell: Aluminium alloy 6262-T9 per ASTM B 211
or Aluminium alloy 6061-T6/T651 per AMS 4027, ASTM B 221 or ASTM B 209
or Aluminium alloy 7075-T6/T651 per SAE AMS-QQ-A-250/12
- Insert: Aluminium alloy 6061-T6/T651 per AMS 4027, ASTM B 221 or ASTM B 209.
- Contact retention clips: Beryllium copper per ASTM-B194 or 196.
- Sleeve holder:
 - Body: Aluminium alloy 6061-T6/T651 per AMS 4027, ASTM B 221 or ASTM B 209.
 - Alignment sleeve: Zirconia (ZrO₂)
 - Central screw: Stainless steel per ASTM-582-M-95b, Type 303.
- Alignment pins: Stainless steel per ASTM-582-M-95b, Type 303.
- Rear grommet: Fluorosilicone elastomer per SAE-AMS-R-25988 B, except §4.6.6.1.

FINISH:

- Shell: Electrically conductive electroless nickel.
- Insert and sleeve holder body: Flat clear gold anodic coating per MIL-A-8625, Type IIB, Class2.

NOTES:

- Polarization type "N".
- Sleeve holder can be ordered separately; P/N 670 970 021
Can be remove with 5/64 inches allen key.
Coupling torque: 0.25 N.m [2.21 Lbf.in] to 0.20 N.m [1.77 Lbf.in].
- Marking:
Connector is marked : "R8W13N4FOSAN"
"RADIALL -- --" (Date code YY WW)
- Delivered with protective dust cap.
- Insert 4 cavities for ML or MT LuxCis optical contacts.
- Plug delivered without contact.
- Shell and locking mechanism compliant to MIL-DTL-38999 standard.
- Product compliant to ARINC 801 specification.
- Weight: 29 gr. [1.023 ounces] approx. (without protective dust cap).
- Refer to LuxCis maintenance document 503 08 590 section advices and recommandations before starting the use of this product.



Confidential information not to be disclosed to third parties without Radiall approval
This information is given as an indication. In the continual goal to improve our products, we reserve the right to make any modifications judged necessary.

4112_9311

X-ON Electronics

Largest Supplier of Electrical and Electronic Components

Click to view similar products for [Circular MIL Spec Connector](#) category:

Click to view products by [Radiall](#) manufacturer:

Other Similar products are found below :

[89075GULPR](#) [0025-262-542](#) [0025-263-3014](#) [0025-264-3014](#) [0031-065-002](#) [0031-071-002](#) [58-570121-04S](#) [0134-201-1007](#) [0134-202-0800](#)
[0134-202-1200](#) [0134-202-2407](#) [0134-207-1206](#) [0134-207-1800](#) [0134-207-2207](#) [0134-213-0806](#) [0134-213-1007](#) [0134-213-1009](#) [0134-213-1200](#) [0134-213-1208](#) [0134-213-1800](#) [0134-213-2209](#) [0025-258-000](#) [0025-259-542](#) [0031-066-002](#) [0031-068-002](#) [0031-069-002](#) [0031-070-002](#) [0031-072-002](#) [015-9516-002](#) [020313-0043](#) [020340-0009](#) [020418-0036](#) [020419-0080](#) [020419-0120](#) [020420-0108](#) [60-042217-10P](#) [60-042217-11P](#) [0104-201-2402](#) [0114-201-1278](#) [024251-0015](#) [602GB06EG1832SN](#) [602GB06EG24-61SN](#) [0134-201-1207](#) [0134-201-1410](#) [0134-201-1806](#) [0134-201-2006](#) [0134-201-2007](#) [0134-201-2010](#) [0134-201-2200](#) [0134-202-1400](#)