

FSK Radio Receiver Module

RC-RFSK1-XXXN is an FSK Radio Receiver Module with PLL Synthesizer and crystal oscillator. Single Line Package with power down mode. Pin to pin compatible with the version denominated RC-RFSK1-XXX.

Standard versions:

RC-RFSK1-433N =====> Frequency 433.92MHz

RC-RFSK1-868N =====> Frequency 868.35MHz

Available versions :

RC-RFSK1-433.42N ===> Frequency 433.42MHz

RC-RFSK1-434.15N ===> Frequency 434.15MHz

RC-RFSK1-434.50N ===> Frequency 434.50MHz

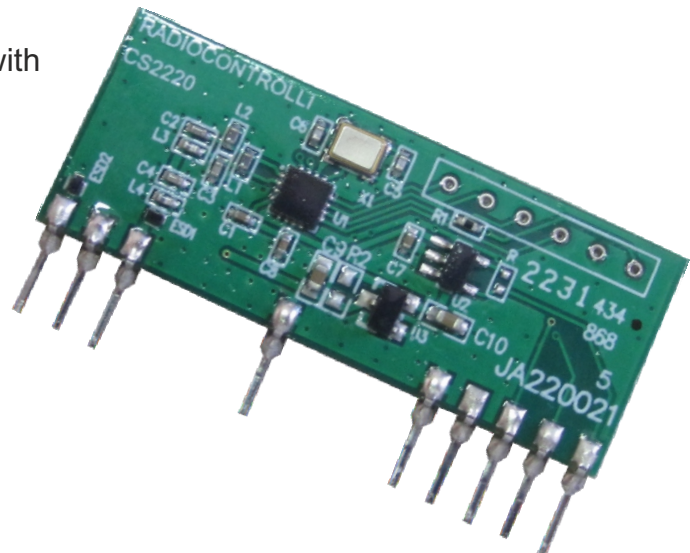
RC-RFSK1-868.95N ===> Frequency 868.95MHz

RC-RFSK1-869.50N ===> Frequency 869.50MHz

Possible versions :

On request we can customize the frequency value :

- *From 433.00 MHz to 435.00 MHz with step of 0,01 MHz*
- *From 867.00 MHz to 870.00 MHz with step of 0,01 MHz*



Applications :

- Wireless security systems
- Home and building automation
- Automatic Measure Reading
- Wireless Sensor Network

Technical Characteristics

Characteristics	MIN	TYP	MAX	UNIT
V _{CC} Supply Voltage	4.5		5.5	Vdc
I _s Supply Current (Operation mode)		8.0		mA
I _s Supply Current (Shut down mode)			100	nA
F Frequency		433.92(*)		MHz
D Max Data Rate			4.8	Kbit/s
S RF Sensitivity		-118		dBm
B 3dB Bandwith		± 150		KHz
L Level of emitted spectrum			70	dBm
T Power Up Time (from Power to stable data)			8	ms
T1 Power Up Time1 (from PD to stable data)			5	ms
TE Operating Temperature Range	-20		+70	°C

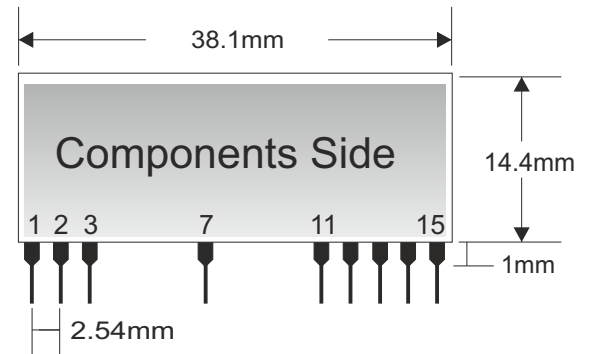
(*) Version denominated RC-RFSK1-433N

Pin Description

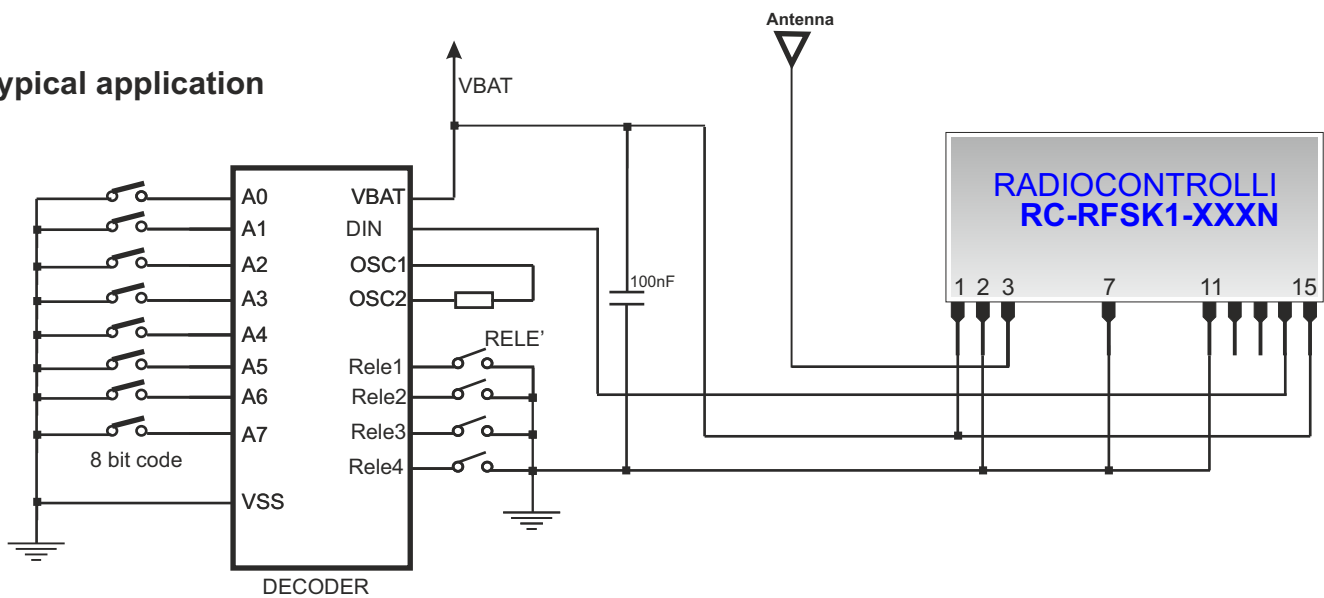
Pads	Name	Description
1	VCC	Vcc Power
2	GND	Ground
3	IN	Antenna
7	GND	Ground
11	GND	Ground
12	NC	Not connected
13	NC	Not connected
14	OUT	Data Out
15	PD	Power down

PD = LOW ----> RX OFF
 PD = HIGH ----> RX ON

Mechanical Dimensions

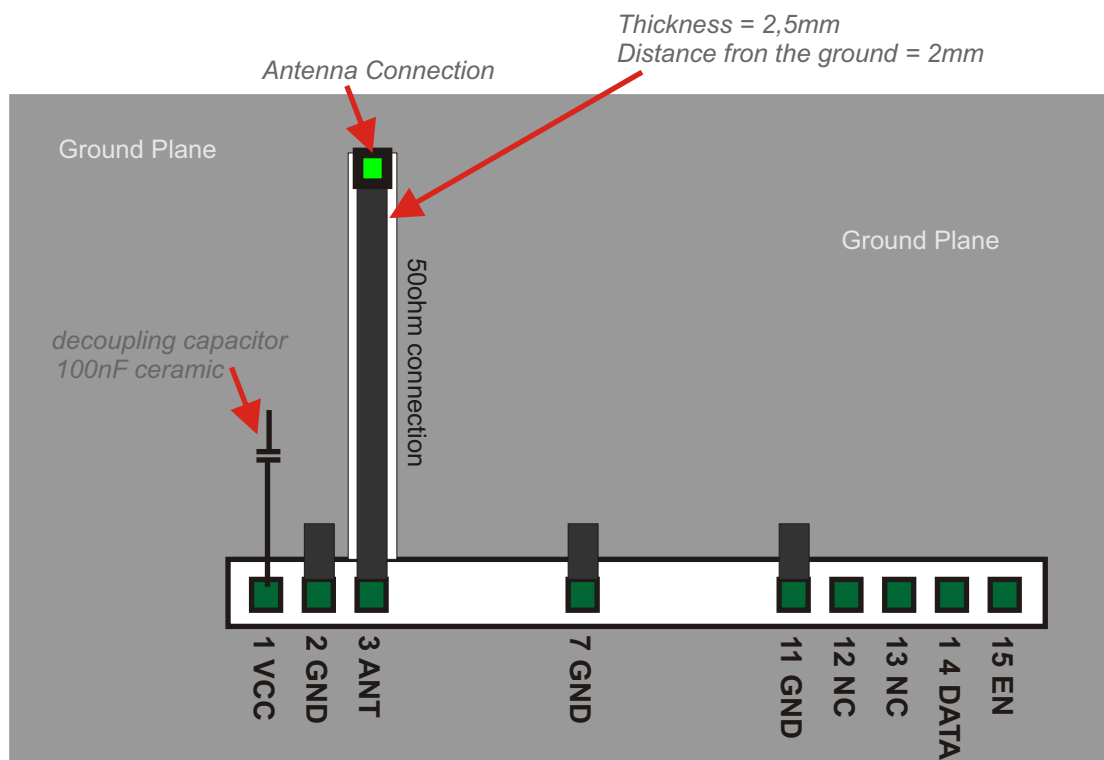


Typical application



Receiver Connection Guideline

- 1) The receiver module must be powered from a regulated voltage.
- 2) In proximity of the receiver module it is necessary to insert a ceramic decoupling capacitor (100nF).
- 3) The ground plane must be completely encircle the entire receiver in particular the area of the Antenna connection (we recommend a minimum of 40-50mm radius).
- 4) The 50ohm connection should be as short as possible.
- 5) For a pcb with 1.6mm thickness, the track "50ohm connection" must be 2.5mm, this track should be separated from the GND for 2mm.
- 6) On the opposite side of 50ohm connection should be a ground plane.
- 7) Keep the receiver module away from other components for more than 5mm.
- 8) Close to the 50ohm connection there must be no component at least for 5mm.



X-ON Electronics

Largest Supplier of Electrical and Electronic Components

Click to view similar products for [RF Modules](#) category:

Click to view products by [Radiocontrolli](#) manufacturer:

Other Similar products are found below :

[2221706-1](#) [RAD-900-DAIO6](#) [650200791G](#) [650200714G](#) [RFM95PW-915S2](#) [VG2389S433N0S1](#) [VG6244S580X0M1](#) [RC-WLE5-868-HA](#)
[RFM219BW-868S2](#) [E49-900M20S](#) [E01-2G4M27SX](#) [DL-297LDA-S](#) [DL-24PA-C](#) [DL-Si24R1-A](#) [VG3411S433N0S1](#) [HY831S](#) [TR1101](#)
[VG4130S433N0S1](#) [VG4142T868N0M1](#) [VG3411S915N0S1](#) [E310-433T23S](#) [DL-PAN3029-S-915S](#) [DL-PAN3029-S-433S](#) [E01C-2G4M11S](#)
[DL-PAN3029-S-868S](#) [E70-433MT14S](#) [E03-2G4M10S](#) [E01C-ML01S](#) [E01-2G4M13S](#) [E30-400M20S\(4463\)](#) [E49-400M30S](#) [E07-900MM10S](#)
[E01-2G4M20S1B](#) [E70-900T14S](#) [E01C-ML01D](#) [E21-400G30S](#) [E07-900T10S](#) [E04-400M16S](#) [E01-ML01DP4](#) [E01-2G4M27S](#) [E27-433M20S](#)
[E01-2G4M27D](#) [E01C-ML01SP4](#) [E01C-2G4M27SX](#) [E01-2G4M01S1B](#) [E07-400T10S](#) [E30-400M30S\(4463\)](#) [E01C-ML01DP4](#) [E310-433T23D](#)
[E310-900T23D](#)