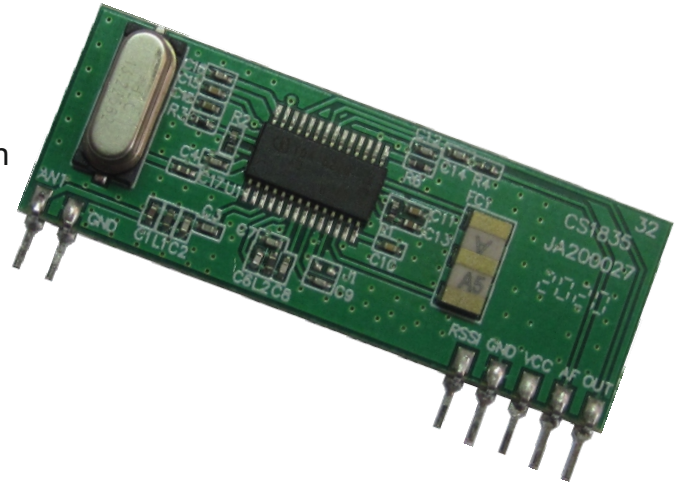


FSK Radio Receiver Module

RC-RFSK3-868 is an FSK Radio Receiver Module with PLL Synthesizer and crystal oscillator. Single Line Package with power down mode and RSSI Output.



RF Sensitivity = 100dBm
 Frequency = 868.35MHz

Applications :

- Wireless security systems
- Home and building automation
- Automatic Measure Reading
- Wireless Sensor Network

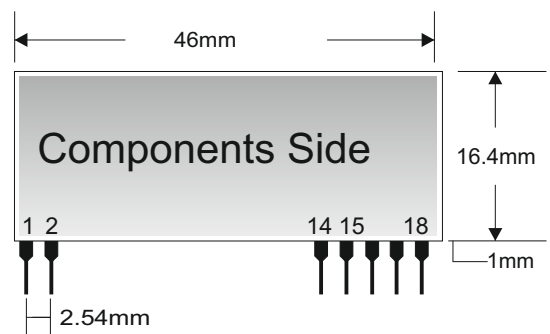
Technical Characteristics

Characteristics	MIN	TYP	MAX	UNIT
V _{cc} Supply Voltage	4.5		5.5	Vdc
I _s Supply Current (Operation mode)		5.7	6.8	mA
I _s Supply Current (Shut down mode)			100	nA
F Frequency		868.35		MHz
D Max Data Rate			4.8	Kbit/s
S RF Sensitivity		100		dBm
B 3dB Bandwith		± 150		KHz
L Level of emitted spectrum			70	dBm
T Power Up Time (from Power to stable data)			8	ms
T1 Power Up Time1 (from PD to stable data)			5	ms
TE Operating Temperature Range	-25		+80	°C

Pin Description

Pads	Name	Description
1	IN	Antenna
2	GND	Ground
14	RSSI	Received Signal Strength Output
15	GND	Ground
16	VCC	Power
17	AF	AF Output
18	OUT	Data Out

Mechanical Dimensions

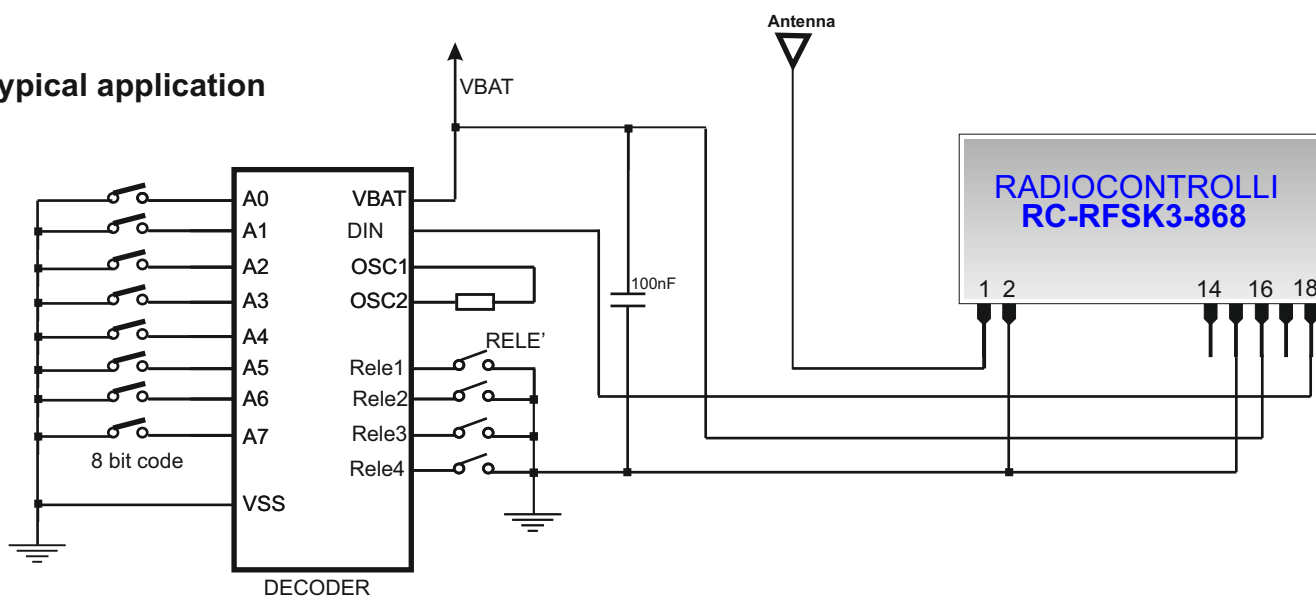


RSSI Output

The RSSI provides a DC Voltage proportional to the peak value of the receive data signal. This output can be used as an indicator for the received signal strength to use in wake-up circuits and other application.

RF IN (dBm)	RSSI (Volt)
- 120 dBm	1.20 Volt
- 110 dBm	1.32 Volt
- 100 dBm	1.50 Volt
- 90 dBm	1.78 Volt
- 80 dBm	2.06 Volt
- 70 dBm	2.35 Volt
- 60 dBm	2.62 Volt
- 50 dBm	2.72 Volt
- 40 dBm	2.75 Volt

Typical application



X-ON Electronics

Largest Supplier of Electrical and Electronic Components

Click to view similar products for [RF Modules](#) category:

Click to view products by [Radiocontrolli](#) manufacturer:

Other Similar products are found below :

[SIMSA868-PRO](#) [SIMSA915C-PRO](#) [SIMSA868C-PRO](#) [SIMSA433C-PRO](#) [SIMSA915-PRO](#) [AM-RX12A-433P](#) [SIMSA868C-N-PRO](#)
[SIMSA433C-N-PRO](#) [SIMSA915C-N-PRO](#) [2221706-1](#) [G510-Q50-50-00](#) [RFID IND LED MIF SLOT](#) [650200808G](#) [650201421G](#) [RC-](#)
[SPIRIT2-433](#) [RC-SPIRIT2-868](#) [DL-RFM69HC-433M](#) [DL-RFM69HC-868M](#) [650201508G](#) [H330 A30-00](#) [RC-CC1101-SPI-868](#) [RC-CC1101-](#)
[SPI-SMT-434](#) [RC-CC1101-SPI-SMT-868](#) [RC-CC1310-868](#) [RCQ2-434](#) [RCS1K-868](#) [RCTX-434](#) [RCTX-434-L](#) [CTU-D2R](#) [CTU-D5N](#)
[RFM02 868D](#) [RFM02 868S2](#) [RFM110-433S1](#) [RFM119S-433S1](#) [RFM119W-433S1](#) [RFM12B-868DP](#) [RFM210LCF-433S1](#) [RFM219SW-](#)
[868S1](#) [RFM23B-868-D](#) [RFM31B-433-S2](#) [RFM42B-868-D](#) [RFM98PW-433S2](#) [RFM98W-433S2](#) [CX-SMA174MMCX-219](#) [HM-T433](#) [I2M-](#)
[005](#) [650200819G](#) [650200847G](#) [650200997G](#) [650201034G](#)