

FSK Radio Transmitter Module

RC-TFSK3-XXX is an FSK Radio Transmitter Module with Crystal oscillator.

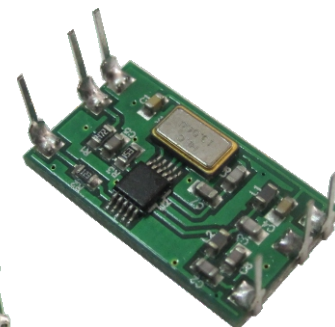
Dual in line package operating at 3.3V.

Output Power = 10dBm

Power down mode is also available.

Applications :

- Wireless security systems
- Home and building automation
- Automatic Measure Reading
- Wireless Sensor Network



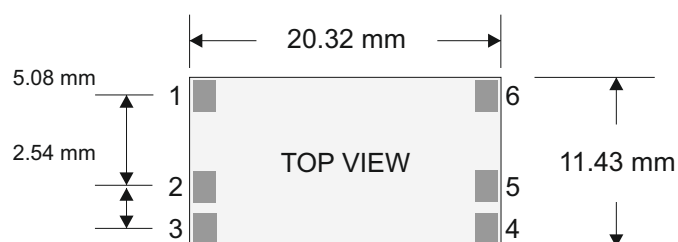
Technical Characteristics

Characteristics		MIN	TYP	MAX	UNIT
V _{cc}	Supply Voltage	2.4		3.6	Vdc
I _s	Supply Current (Operation mode)		14.5	15.5	mA
I _s	Supply Current (Shut down mode)			100	nA
F	Frequency		433.92 / 868.35		MHz
D	Max Data Rate			40	Kbit/s
P	RF Output Power	8	10		dBm
F1	Frequency Accuracy	-35		+35	KHz
F2	FM Deviation	25	30	35	KHz
T	Power Up Time (from Power on to RF)			5	ms
T1	Power Up Time1 (from EN to RF)			1	ms
TE	Operating Temperature Range	-25		+80	°C

Pin Description

Pads	Name	Description
1	EN	Enable
2	IN	Data In
3	GND	Ground
4	VCC	VCC Power
5	GND	Ground
6	ANT	External Antenna

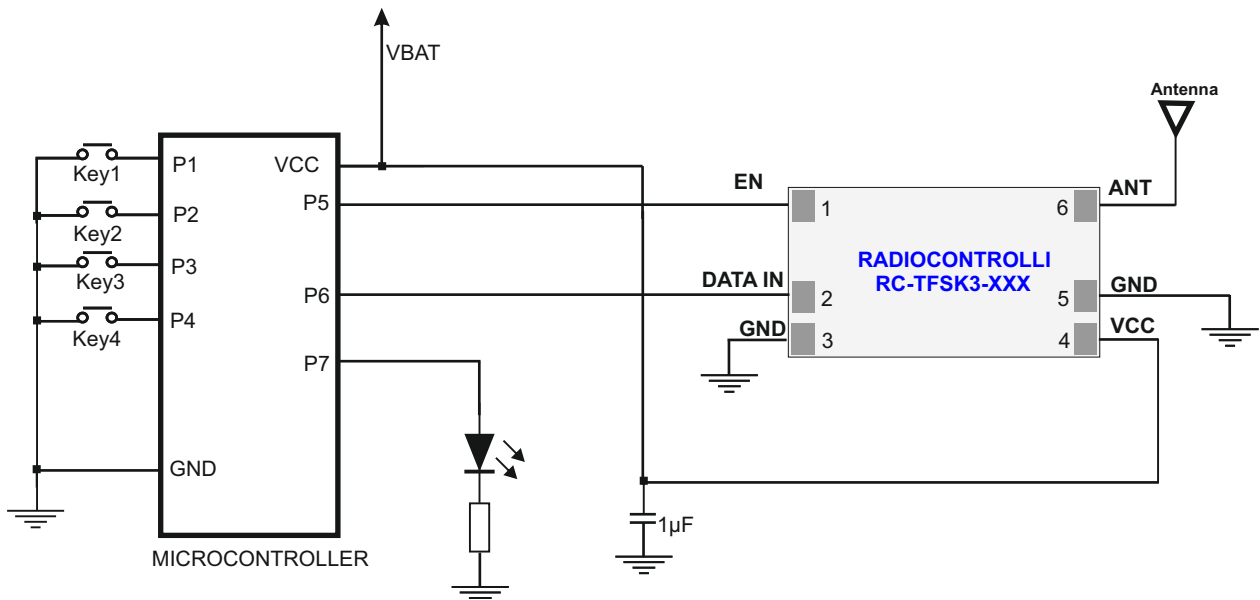
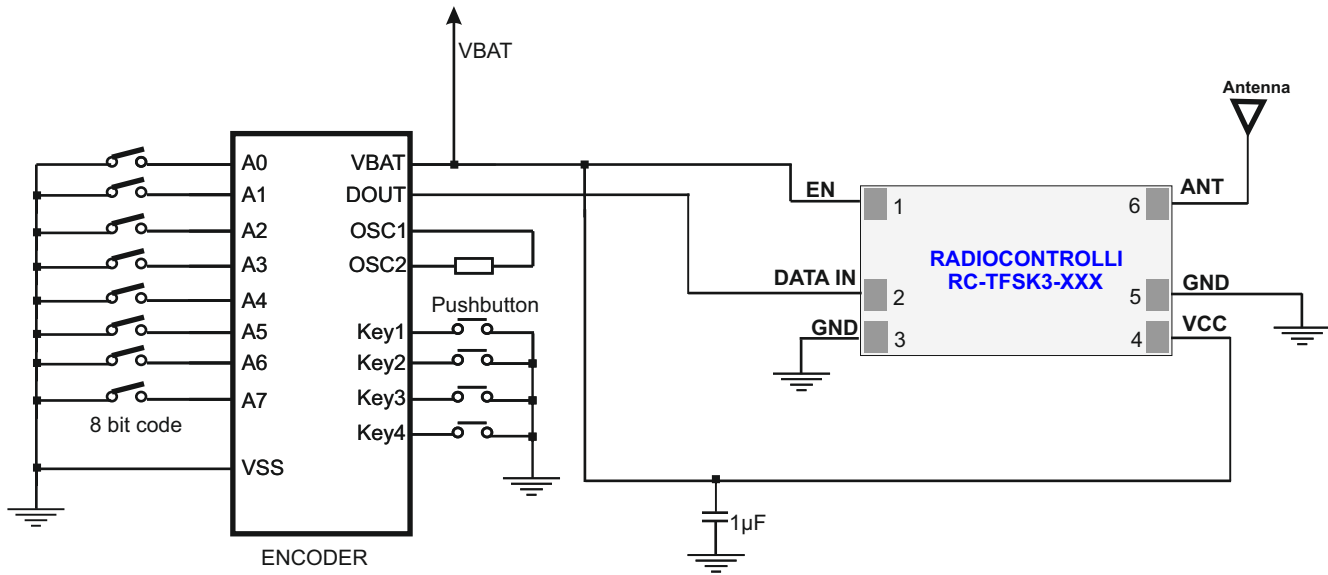
Mechanical dimensions



EN = LOW ----> Shut down mode
 EN = HIGH ----> TX mode

**ETSI EN 300 220
 COMPLIANCE**

Typical Applications :



X-ON Electronics

Largest Supplier of Electrical and Electronic Components

Click to view similar products for [RF Modules](#) category:

Click to view products by [Radiocontrolli](#) manufacturer:

Other Similar products are found below :

[HMC-C009](#) [HMC-C011](#) [nRF24L01P-MODULE-PCB](#) [HMC-C021](#) [HMC-C024](#) [XB9XT-DPRS-721](#) [XBP9B-DMUTB022](#) [nRF24L01P-MODULE-SMA](#) [CMD-KEY2-418-CRE](#) [XM-C92-2P-UA](#) [XB9XT-DPUS-721](#) [V640-A90](#) [HMC-C583](#) [MAAM-008818-TR3000](#) [MTSMC-H5-U](#) [SIMSA868-PRO](#) [SIMSA915C-PRO](#) [SIMSA868C-PRO](#) [SIMSA433C-PRO](#) [SIMSA915-PRO](#) [XBP9B-DMUT-042](#) [HMC-C582](#) [HMC-C022](#) [XBP9B-DPST-041](#) [XBP9B-DMWT-042](#) [SM-MN-00-HF-RC](#) [HMC-C031](#) [MT-02](#) [M1002GB](#) [702-W](#) [SIMSA868C-N-PRO](#) [SIMSA433C-N-PRO](#) [SIMSA915C-N-PRO](#) [ADP-R202-00B](#) [PEPPER WIRELESS C1 USB](#) [S2-10732-Z1T61](#) [S2-107XB-Z2356-Z2352](#) [S2-10672-Z1L85](#) [S2-10686-Z1L1D](#) [S2-10688-Z1L1T](#) [S2-106BA-Z1P20](#) [S2-1060C-Z1F0A](#) [S2-106R4-Z1Q6F-Z1Q6Q](#) [S2-106R4-Z1Q6J-Z1Q6Q](#) [S2-106RB-Z1Q6V-Z1Q6Q](#) [S2-107DR-Z1Y5B](#) [SU60-2230C-PU](#) [RC-TFSK3-868](#) [NANO RFID POE](#) [650201424G](#)