

## FSK Radio Transmitter Module

### RC-TFSK4-XXXN

is an FSK Radio Transmitter Module with Crystal oscillator.  
 Dual in line package operating at 3.0V.  
 Output Power = 10dBm  
 Power down mode is also available.

Standard versions:

**RC-TFSK4-433N** =====> Frequency 433.92MHz

Available versions :

**RC-TFSK4-433.42N** ==> Frequency 433.42MHz

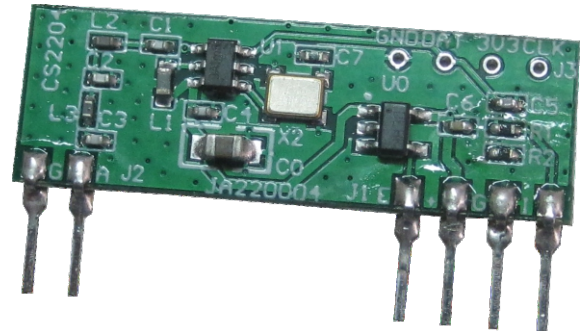
**RC-TFSK4-434.15N** ==> Frequency 434.15MHz

**RC-TFSK4-434.50N** ==> Frequency 434.50MHz

Possible versions :

**On request we can customize the frequency value :**

- *From 433.00 MHz to 435.00 MHz with step of 0,01 MHz*



### Applications :

- Wireless security systems
- Home and building automation
- Automatic Measure Reading
- Wireless Sensor Network

### Technical Characteristics

| Characteristics                                   | MIN | TYP    | MAX | UNIT   |
|---|-----|--------|-----|--------|
| V <sub>cc</sub> Supply Voltage (3 Volt version)   | 2.2 | 3      | 3.6 | Vdc    |
| I Supply Current ( TX mode)                       |     | 21     |     | mA     |
| I <sub>s</sub> Current Consumption (standby mode) |     | < 3    |     | µA     |
| P <sub>o</sub> RF Power Output                    |     | 10(*)  |     | dBm    |
| F Frequency Band                                  |     | 433    |     | MHz    |
| F Frequency Tolerance                             |     | +/- 20 |     | KHz    |
| Max Data Rate                                     |     |        | 50  | Kbit/s |
| T <sub>OP</sub> FSK Deviation                     |     | 35     |     | KHz    |
| Power Up Time                                     |     |        | 1   | ms     |
| T <sub>OP</sub> Operating Temperature Range       | -25 |        | +80 | °C     |

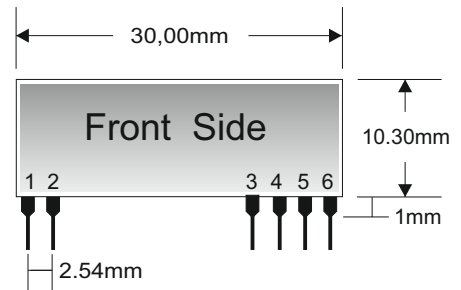
(\*) We recommend the use of an antenna with a gain not higher than 3dB

The final application that uses this TX module must have a Duty Cycle less than or equal to 10% in a time of 1 hour.

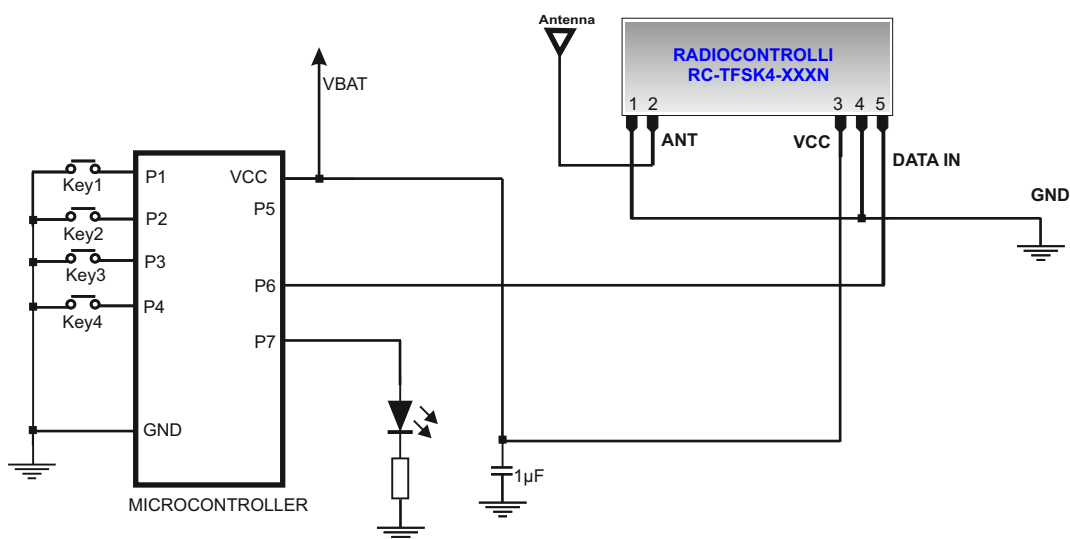
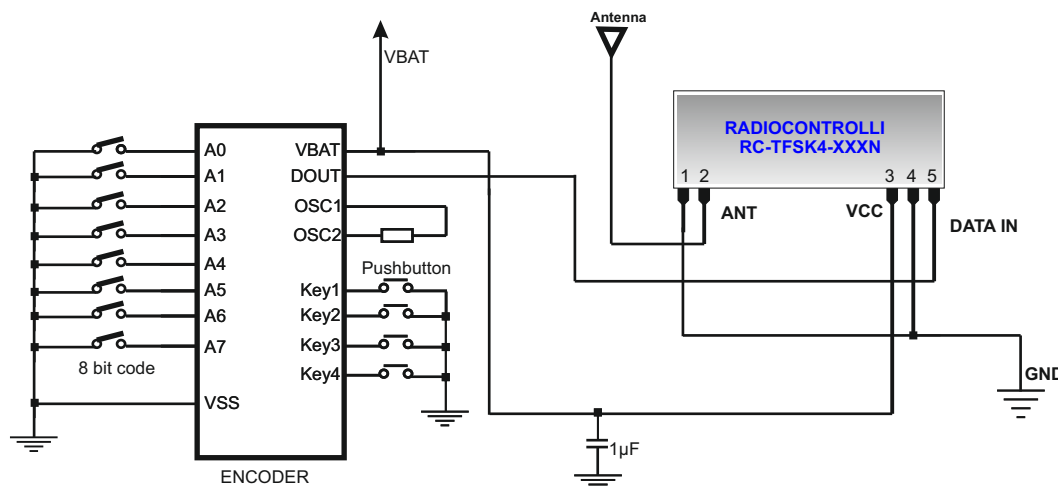
## Pin Description

| Pads | Name | Description      |
|------|------|------------------|
| 1    | GND  | Ground           |
| 2    | ANT  | External Antenna |
| 3    | EN   | Enable           |
| 4    | VCC  | VCC Power        |
| 5    | GND  | Ground           |
| 6    | IN   | Data In          |

## Mechanical dimensions



## Typical Applications :



## X-ON Electronics

Largest Supplier of Electrical and Electronic Components

*Click to view similar products for [RF Modules](#) category:*

*Click to view products by [Radiocontrolli](#) manufacturer:*

Other Similar products are found below :

[2221706-1](#) [RAD-900-DAIO6](#) [650200791G](#) [650200714G](#) [RFM95PW-915S2](#) [VG2389S433N0S1](#) [VG6244S580X0M1](#) [RC-WLE5-868-HA](#)  
[RFM219BW-868S2](#) [E49-900M20S](#) [E01-2G4M27SX](#) [DL-297LDA-S](#) [DL-24PA-C](#) [DL-Si24R1-A](#) [VG3411S433N0S1](#) [HY831S](#) [TR1101](#)  
[VG4130S433N0S1](#) [VG4142T868N0M1](#) [VG3411S915N0S1](#) [E310-433T23S](#) [E43-900T13S3](#) [E07-400MM10S](#) [DL-PAN3029-S-915S](#) [DL-](#)  
[PAN3029-S-433S](#) [E01C-2G4M11S](#) [DL-PAN3029-S-868S](#) [E70-433MT14S](#) [E03-2G4M10S](#) [E01C-ML01S](#) [E610-433T20S](#) [E610-](#)  
[DTU\(433C30\)](#) [E01-2G4M13S](#) [E30-400M20S\(4463\)](#) [E49-400M30S](#) [E31-230T27D](#) [E41-400M20S](#) [E07-900MM10S](#) [E01-2G4M20S1B](#) [E70-](#)  
[900T14S](#) [E01C-ML01D](#) [E49-400T30S](#) [E30-170T27D](#) [E62-433T30D](#) [E21-400G30S](#) [E07-900T10S](#) [E04-400M16S](#) [E01-ML01DP4](#) [E610-](#)  
[433T30S](#) [E29-400M22S](#)