

FSK Radio Transmitter Module

RC-TFSK4-XXXN

is an FSK Radio Transmitter Module with Crystal oscillator.
Dual in line package operating at 3.0V.
Output Power = 10dBm
Power down mode is also available.

Standard versions:

RC-TFSK4-433N =====> Frequency 433.92MHz
RC-TFSK4-868N =====> Frequency 868.35MHz

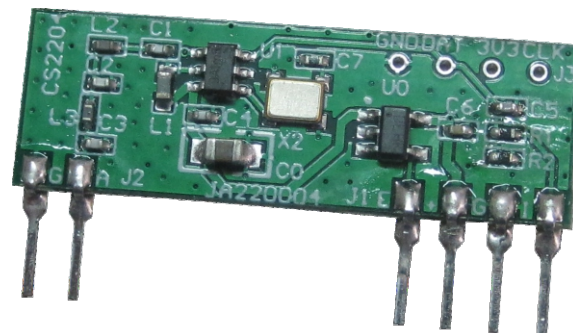
Available versions :

RC-TFSK4-433.42N ==> Frequency 433.42MHz
RC-TFSK4-434.15N ==> Frequency 434.15MHz
RC-TFSK4-434.50N ==> Frequency 434.50MHz
RC-TFSK4-868.95N ==> Frequency 868.95MHz
RC-TFSK4-869.50N ==> Frequency 869.50MHz

Possible versions :

On request we can customize the frequency value :

- *From 433.00 MHz to 435.00 MHz with step of 0,01 Mhz*
- *From 867.00 MHz to 870.00 MHz with step of 0,01 Mhz*
- *Pin to pin compatible with the version RC-TFSK4-XXX*



Applications :

- Wireless security systems
- Home and building automation
- Automatic Measure Reading
- Wireless Sensor Network

Technical Characteristics

Characteristics		MIN	TYP	MAX	UNIT
V _{CC}	Supply Voltage (3 Volt version)	2.2	3	3.6	Vdc
I	Supply Current (TX mode)		21		mA
I _s	Current Consumption (standby mode)		< 3		µA
P _o	RF Power Output		10(*)		dBm
F	Frequency Band		433/868		MHz
F	Frequency Tolerance		+/- 20		KHz
	Max Data Rate			50	Kbit/s
T _{OP}	FSK Deviation		35		KHz
	Power Up Time			1	ms
T _{OP}	Operating Temperature Range	-25		+80	°C

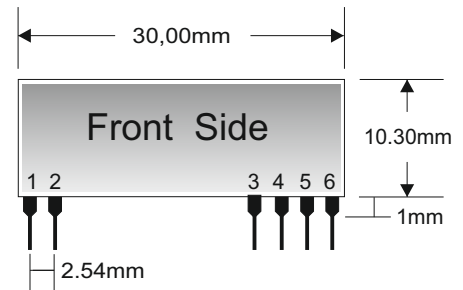
(*) We recommend the use of an antenna with a gain not higher than 3dB

The final application that uses this TX module must have a Duty Cycle less than or equal to 10% in a time of 1 hour.

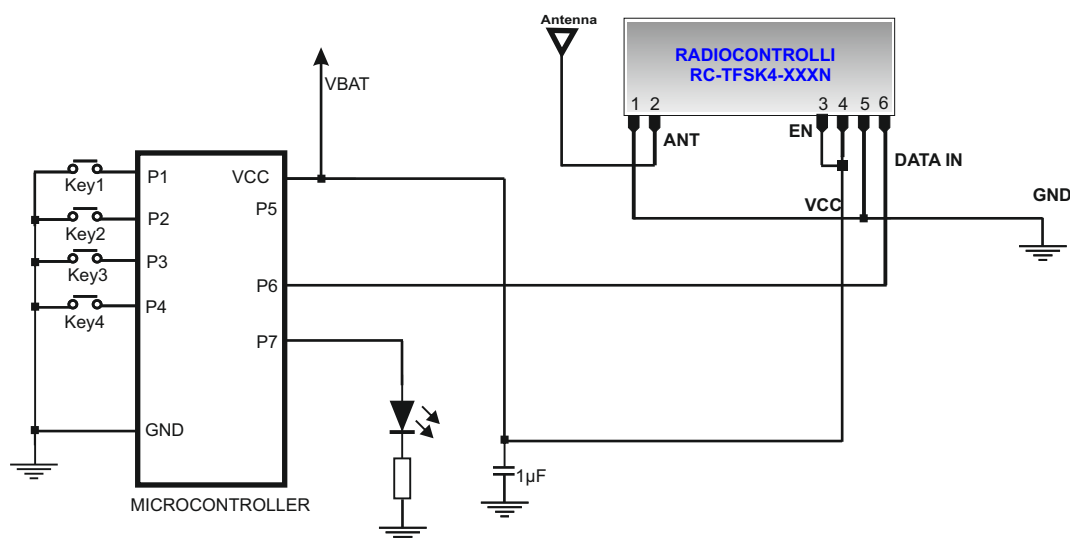
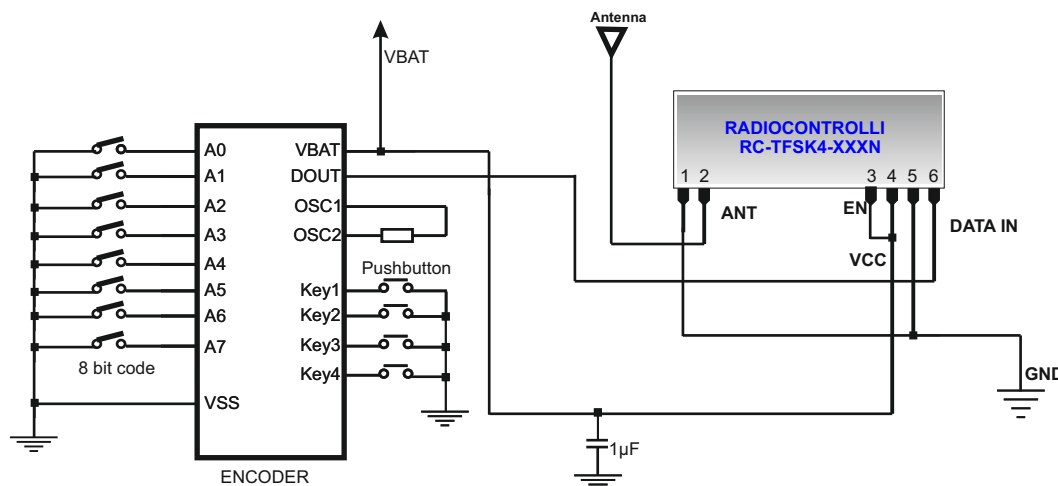
Pin Description

Pads	Name	Description
1	GND	Ground
2	ANT	External Antenna
3	EN	Enable
4	VCC	VCC Power
5	GND	Ground
6	IN	Data In

Mechanical dimensions



Typical Applications :



X-ON Electronics

Largest Supplier of Electrical and Electronic Components

Click to view similar products for [RF Modules](#) category:

Click to view products by [Radiocontrolli](#) manufacturer:

Other Similar products are found below :

[2221706-1](#) [RAD-900-DAIO6](#) [650200791G](#) [650200714G](#) [RFM95PW-915S2](#) [VG2389S433N0S1](#) [VG6244S580X0M1](#) [RC-WLE5-868-HA](#)
[RFM219BW-868S2](#) [E49-900M20S](#) [E01-2G4M27SX](#) [DL-297LDA-S](#) [DL-24PA-C](#) [DL-Si24R1-A](#) [VG3411S433N0S1](#) [HY831S](#) [TR1101](#)
[VG4130S433N0S1](#) [VG4142T868N0M1](#) [VG3411S915N0S1](#) [E310-433T23S](#) [E43-900T13S3](#) [E07-400MM10S](#) [DL-PAN3029-S-915S](#) [DL-](#)
[PAN3029-S-433S](#) [E01C-2G4M11S](#) [DL-PAN3029-S-868S](#) [E70-433MT14S](#) [E03-2G4M10S](#) [E01C-ML01S](#) [E610-433T20S](#) [E610-](#)
[DTU\(433C30\)](#) [E01-2G4M13S](#) [E30-400M20S\(4463\)](#) [E49-400M30S](#) [E31-230T27D](#) [E41-400M20S](#) [E07-900MM10S](#) [E01-2G4M20S1B](#) [E70-](#)
[900T14S](#) [E01C-ML01D](#) [E49-400T30S](#) [E30-170T27D](#) [E62-433T30D](#) [E21-400G30S](#) [E07-900T10S](#) [E04-400M16S](#) [E01-ML01DP4](#) [E610-](#)
[433T30S](#) [E29-400M22S](#)