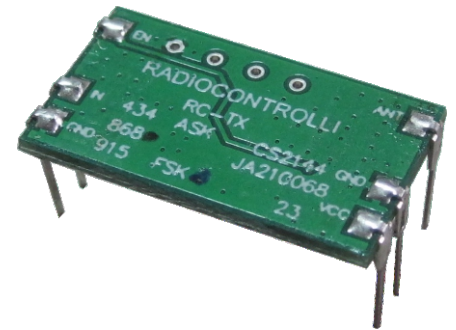


FSK Radio Transmitter Module

RC-TXFSK-XXX

is an FSK Radio Transmitter Module with Crystal oscillator.
Dual in line package operating at 3.0V.
Output Power = 10dBm
Power down mode is also available.

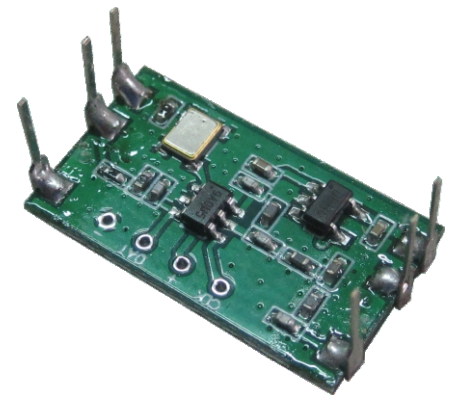


Standard versions:

RC-TXFSK-433 =====> Frequency 433.92MHz
RC-TXFSK-868 =====> Frequency 868.35MHz

Available versions :

RC-TXFSK-433.42 ==> Frequency 433.42MHz
RC-TXFSK-434.15 ==> Frequency 434.15MHz
RC-TXFSK-434.50 ==> Frequency 434.50MHz
RC-TXFSK-868.95 ==> Frequency 868.95MHz
RC-TXFSK-869.50 ==> Frequency 869.50MHz



Possible versions :

On request we can customize the frequency value :

- From 433.00 MHz to 435.00 MHz with step of 0,01 MHz
- From 867.00 MHz to 870.00 MHz with step of 0,01 MHz

Applications :

- Wireless security systems
- Home and building automation
- Automatic Measure Reading
- Wireless Sensor Network

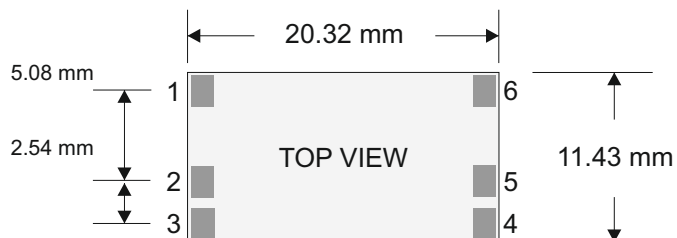
Technical Characteristics

Characteristics		MIN	TYP	MAX	UNIT
V _{cc}	Supply Voltage (3 Volt version)	2.2	3	3.6	Vdc
I	Supply Current (TX mode)		21		mA
I _s	Current Consumption (standby mode)		< 3		µA
P _o	RF Power Output		10(*)		dBm
F	Frequency		433/868		MHz
F	Frequency Tolerance		+/- 20		KHz
	Max Data Rate			50	Kbit/s
T _{OP}	FSK Deviation		35		KHz
	Power Up Time			1	ms
T _{OP}	Operating Temperature Range	-25		+80	°C

(*) We recommend the use of an antenna with a gain not higher than 3dB

The final application that uses this TX module must have a Duty Cycle less than or equal to 10% in a time of 1 hour.

Mechanical dimensions

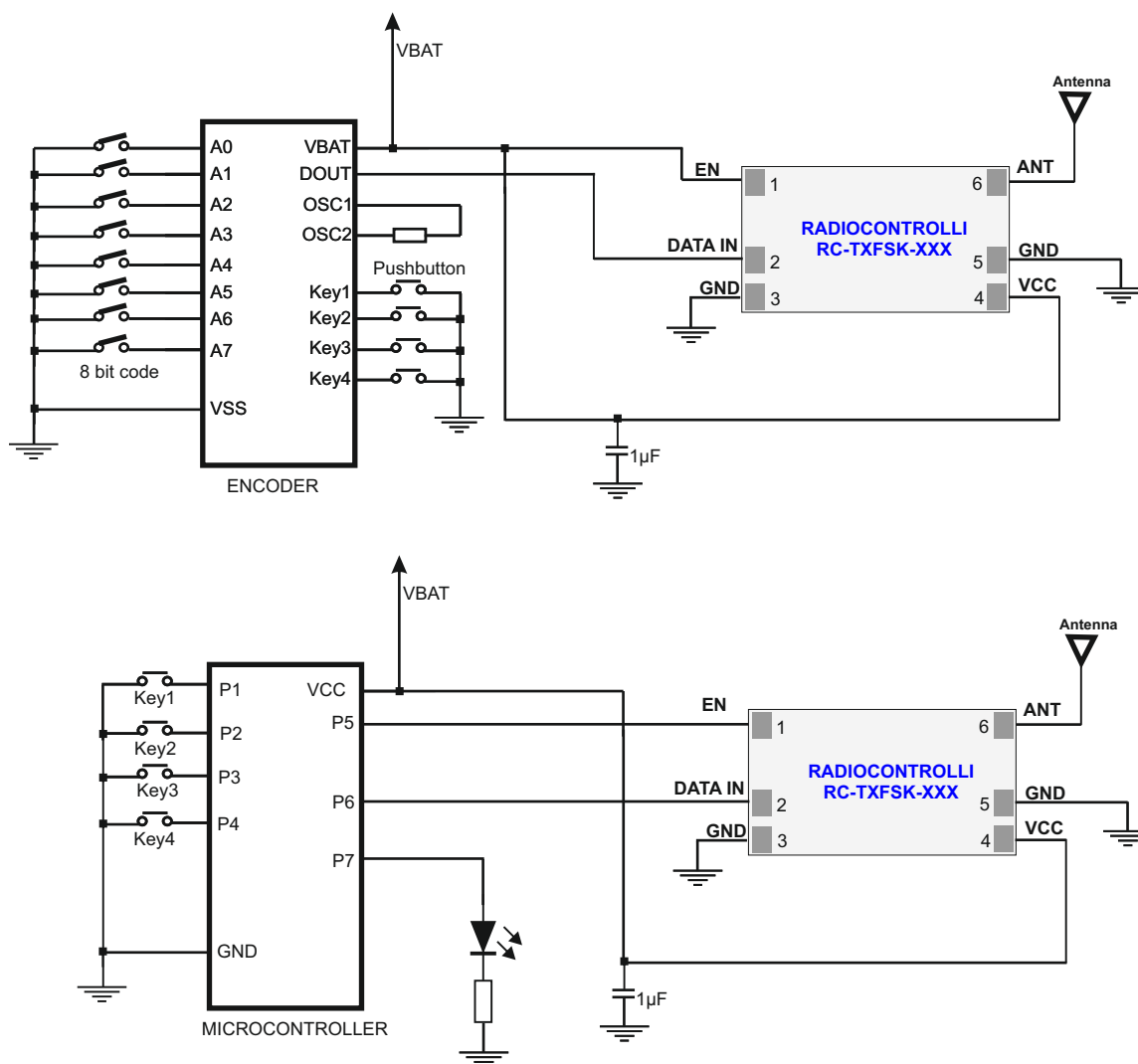


Pin Description

Pads	Name	Description
1	EN	Enable
2	IN	Data In
3	GND	Ground
4	VCC	VCC Power
5	GND	Ground
6	ANT	External Antenna

EN = LOW ----> Shut down mode
 EN = HIGH ----> TX mode

Typical Applications :



X-ON Electronics

Largest Supplier of Electrical and Electronic Components

Click to view similar products for [RF Modules](#) category:

Click to view products by [Radiocontrolli](#) manufacturer:

Other Similar products are found below :

[2221706-1](#) [RAD-900-DAIO6](#) [650200791G](#) [650200714G](#) [RFM95PW-915S2](#) [VG2389S433N0S1](#) [VG6244S580X0M1](#) [RC-WLE5-868-HA](#)
[RFM219BW-868S2](#) [E49-900M20S](#) [E01-2G4M27SX](#) [DL-297LDA-S](#) [DL-24PA-C](#) [DL-Si24R1-A](#) [VG3411S433N0S1](#) [HY831S](#) [TR1101](#)
[VG4130S433N0S1](#) [VG4142T868N0M1](#) [VG3411S915N0S1](#) [E310-433T23S](#) [DL-PAN3029-S-915S](#) [DL-PAN3029-S-433S](#) [E01C-2G4M11S](#)
[DL-PAN3029-S-868S](#) [E70-433MT14S](#) [E03-2G4M10S](#) [E01C-ML01S](#) [E01-2G4M13S](#) [E30-400M20S\(4463\)](#) [E49-400M30S](#) [E07-900MM10S](#)
[E01-2G4M20S1B](#) [E70-900T14S](#) [E01C-ML01D](#) [E21-400G30S](#) [E07-900T10S](#) [E04-400M16S](#) [E01-ML01DP4](#) [E01-2G4M27S](#) [E27-433M20S](#)
[E01-2G4M27D](#) [E01C-ML01SP4](#) [E01C-2G4M27SX](#) [E01-2G4M01S1B](#) [E07-400T10S](#) [E30-400M30S\(4463\)](#) [E01C-ML01DP4](#) [E310-433T23D](#)
[E310-900T23D](#)