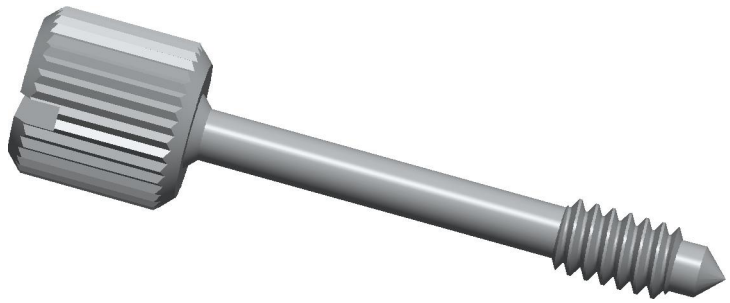
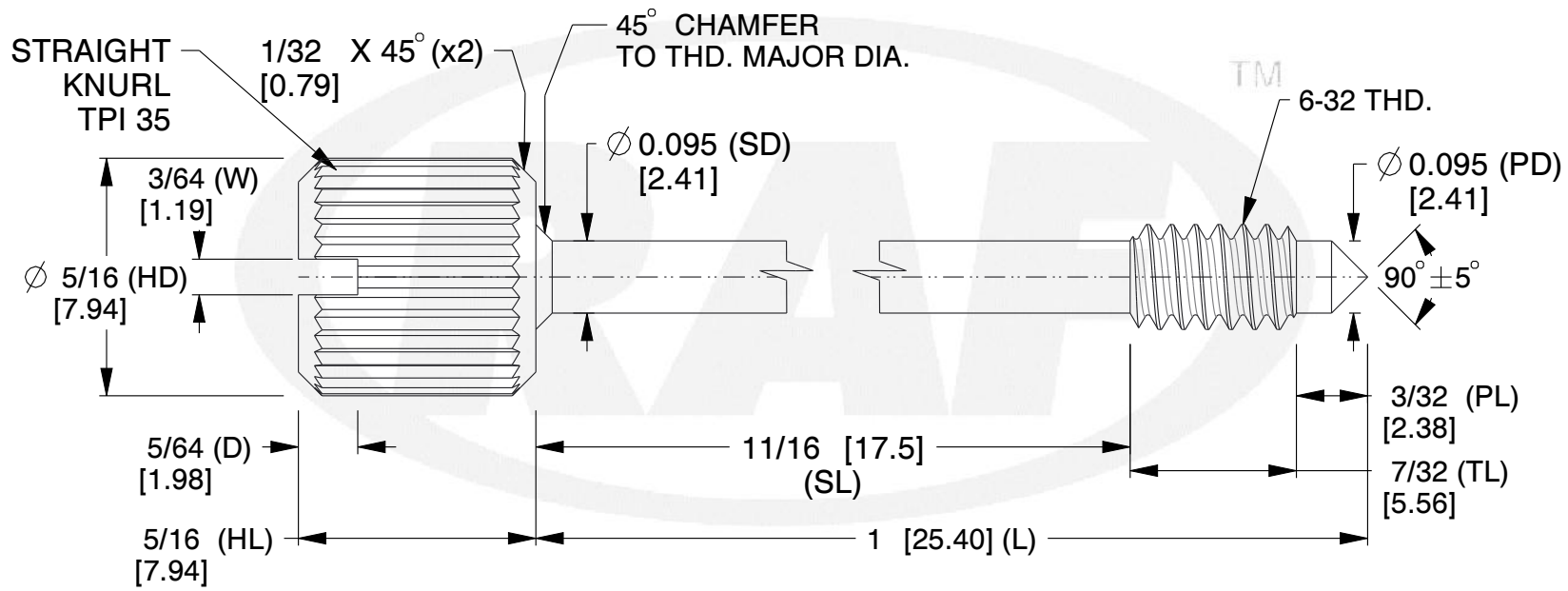


| REV | CHANGE | DATE | DRN | CHK |
|-----|--------|------------|-----|-----|
| | Drawn | 02/22/2017 | SJ | T |



| TOLERANCE DETAILS | | | | | |
|-------------------|----|----------------------------------|----|----|----------------------------------|
| 1 | D | +0.010 [+0.25] -0.000 [-0.00] | 6 | PD | +0.000 [+0.00] -0.010 [-0.25] |
| 2 | L | ±0.015 [±0.38] | 7 | PL | ±0.015 [±0.38] |
| 3 | W | +0.005 [+0.13] -0.000 [-0.00] | 8 | SD | ±0.005 [±0.13] |
| 4 | HD | +0.015 [+0.38] -0.000 [-0.00] | 9 | SL | ±0.010 [±0.25] |
| 5 | HL | ±0.010 [±0.25] | 10 | TL | +0.000 [+0.00] -0.015 [-0.38] |



NOTES:

1. Material : Stainless Steel
2. Finish :
3. ASME Y14.5-M - 2009
4. All Drawing Dimensions are in Inches [mm]
5. Unless otherwise specified; Edge Breaks, Radii or Countersinks 0.005-0.015

| COMPONENT | PANEL SCREW |
|-----------------------------|-------------|
| 0398-SS | SCALE |
| CAPTIVE PANEL SCREW STYLE 2 | 4.16 |
| | SHEET |
| | 1 of 1 |



95 Silvermine Rd., Seymour CT 06483
Tel: 203-888-2133, Fax: 203-888-9860

This Drawing is the Property of RAF. It contains confidential, proprietary information that is RAF property. Do not disclose to or duplicate for others except as authorized by RAF.

TOLERANCES
ALL DIMENSIONS ARE INCHES (UNLESS OTHERWISE SPECIFIED)
METALLIC
LENGTHS ≤ 6 INCHES $\pm 0.005</math>
LENGTH > 6 INCHES $\pm 0.010</math>
DIAMETERS: $\pm 0.005</math>
NON-METALLIC
LENGTH: $\pm 0.010</math> DIAMETERS: $\pm 0.010</math>
INTERNAL THREADS:
MINIMUM THREAD DEPTH$$$$$

X-ON Electronics

Largest Supplier of Electrical and Electronic Components

Click to view similar products for [Screws & Fasteners](#) category:

Click to view products by [RAF Electronic Hardware](#) manufacturer:

Other Similar products are found below :

[5721-1440-1/4-SS](#) [593503FX](#) [0098.0094](#) [0098.9206](#) [0098.9219](#) [0098.9262](#) [596-2114-013](#) [59781-6](#) [0098.0026](#) [0098.9210](#) [0098.9212](#) [60227-01](#) [60227-04](#) [60227-08](#) [60687-01](#) [LOCK WASHER Black](#) [62153-11](#) [M316-KSSTMCZ100](#) [M3440-SS](#) [M3442-SS](#) [M3448-SS](#) [6292-1](#) [6-306105-9](#) [6-306131-4](#) [690432-1](#) [699161-000](#) [7230-3](#) [7244](#) [7248-1](#) [7248-2](#) [745564-1](#) [F1209](#) [751-00001](#) [7680](#) [809704-1](#) [8700](#) [8860220](#) [9047](#) [9521](#) [992326-6](#) [992763-3](#) [1-18024-0](#) [1-18028-2](#) [A168P1](#) [A495P1](#) [1-24921-1](#) [125416-1](#) [1260](#) [13-0036](#) [1301810148](#) [1301810313](#)