

## Keylock switch - round collar

### 1.10.118.513/0000

Included: 2 keys.



#### General information

|                |       |
|----------------|-------|
| Form of collar | round |
|----------------|-------|

#### Dimensions

|                    |                                       |
|--------------------|---------------------------------------|
| Diameter of collar | 18 mm                                 |
| Overall height     | 7.5 mm                                |
| Mounting depth     | 39.5 mm; with plug-in socket 41.25 mm |
| Mounting hole      | 16.2 mm                               |

#### Mechanical design

|                     |                                  |
|---------------------|----------------------------------|
| Mounting            | ring nut                         |
| Terminals           | solder terminals                 |
| Contact system      | sliding contact, self cleaning   |
| Contact function    | latching                         |
| Contact arrangement | 1 NO at every switching position |
| Contact materials   | Au alloy                         |
| Illumination        | no                               |

#### Mechanical design of lock

|                             |                                 |
|-----------------------------|---------------------------------|
| Lock                        | cylinder lock with pin tumblers |
| Wafers                      | 5 pins                          |
| Lock type                   | 5001                            |
| Number of locking positions | 10,000                          |
| Main key                    | on request                      |
| Symmetric key               | on request                      |
| Key removal position        | 0                               |

#### Mechanical characteristics

|                      |          |
|----------------------|----------|
| Operating force min. | 0.035 Nm |
| Operating force max. | 1.8 Nm   |

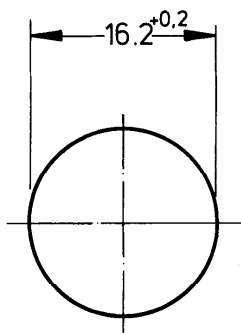
#### Electrical characteristics

|                          |                        |
|--------------------------|------------------------|
| Rated voltage AC/DC max. | 35 V                   |
| Rated voltage AC/DC min. | 5 V                    |
| Rated current AC/DC max. | 100 mA                 |
| Rated current AC/DC min. | 5 mA                   |
| ESD strength max.        | 12 kV                  |
| Insulation resistance    | $6 \times 10^8 \Omega$ |
| Contact resistance max.  | 200 m $\Omega$         |

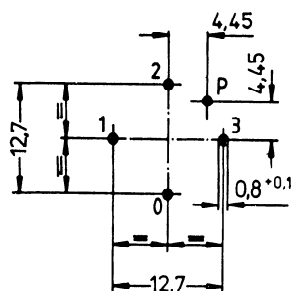
### Other specifications

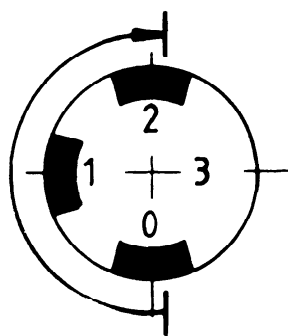
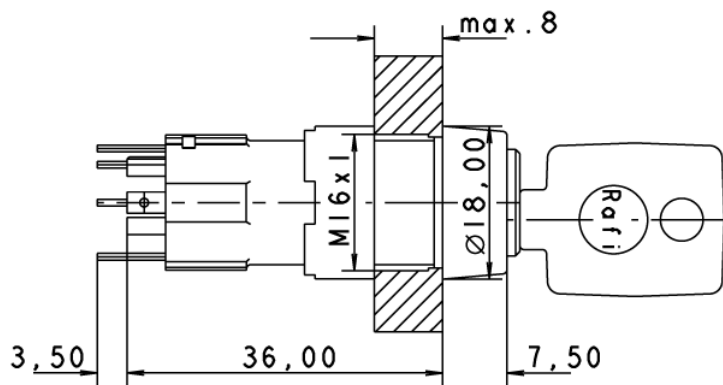
|                                      |  |
|--------------------------------------|--|
| Operating life (operations)          | 50,000 cycle                             |
| Degree of protection from front side | IP65 (DIN EN 60529)                      |
| Operation temperature min.           | -25 °C                                   |
| Ambient temp. operating max.         | +70 °C                                   |
| Storage temperature min.             | -40 °C                                   |
| Storage temperature max.             | +80 °C                                   |
| Environmental resistance             | acc. to IEC 60068-2-14, -30, -33 and -78 |
| Soldering temperature max.           | 350 °C                                   |
| Soldering time max.                  | 3 s                                      |
| Weight                               | 29 g                                     |
| Rotating angle                       | 2 x 90°                                  |
| ROHS compliant                       | yes                                      |
| REACH compliant                      | yes                                      |

### Mounting hole

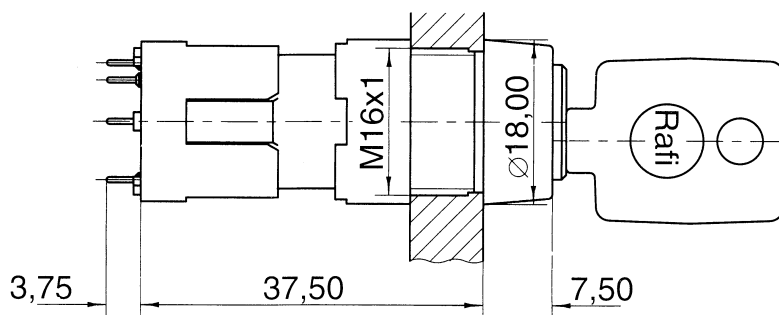


### PCB hole pattern, sight on component side





with plug-in socket



## X-ON Electronics

Largest Supplier of Electrical and Electronic Components

*Click to view similar products for [Keylock Switches](#) category:*

*Click to view products by [Rafi](#) manufacturer:*

Other Similar products are found below :

[89496-09](#) [58J1007](#) [58J8A45-01B05N](#) [719-0201-000](#) [719-0202-000](#) [719-0702-000](#) [719-5504-000](#) [84800-04](#) [GKNC33L](#) [GKNC3L](#)  
[PVA2OAH5](#) [HA1K-2C2VA-2](#) [14-235.022K](#) [AS6H-2K2A](#) [AS6M-2K1B](#) [AS6Q-2K2A](#) [AS6Q-3K2A](#) [1571487-1](#) [KEY-AS6](#) [KH3C-20C](#)  
[8928K493](#) [2SWK131AL102](#) [AS6M-2K1A](#) [AS6Q-2K1PB](#) [51-401.036D](#) [51-414.036D](#) [HW1K-31BF20](#) [HW1K-3HF20](#) [Y1112-2027CLFT](#)  
[51-195.025D](#) [51-378.AD](#) [51-404.036D](#) [51-405.036D](#) [1-1437597-8](#) [58J8A36-01B04N](#) [58M1422](#) [86945-05](#) [719-0204-000](#) [719-0205-000](#)  
[719-0801-000](#) [719-0804-000](#) [719-0805-000](#) [88422-18](#) [58J8A90-01B02N](#) [58J8A90-01C02N](#) [58J9P36-01B09N](#) [58J8A36-01C03N](#)  
[GKRA3K1A2-F03-C](#) [GKBB14L6](#) [14-236.025K1020](#)