

Keylock switch - round collar

1.10.118.814/0000

Included: 2 keys.



General information

| | |
|----------------|-------|
| Form of collar | round |
|----------------|-------|

Dimensions

| | |
|--------------------|---------------------------------------|
| Diameter of collar | 18 mm |
| Overall height | 7.5 mm |
| Mounting depth | 39.5 mm; with plug-in socket 41.25 mm |
| Mounting hole | 16.2 mm |

Mechanical design

| | |
|---------------------|----------------------------------|
| Mounting | ring nut |
| Terminals | solder terminals |
| Contact system | sliding contact, self cleaning |
| Contact function | latching |
| Contact arrangement | 1 NO at every switching position |
| Contact materials | Au alloy |
| Illumination | no |

Mechanical design of lock

| | |
|-----------------------------|---------------------------------|
| Lock | cylinder lock with pin tumblers |
| Wafers | 5 pins |
| Lock type | 5001 |
| Number of locking positions | 10,000 |
| Main key | on request |
| Symmetric key | on request |
| Key removal position | 0+1+2+3 |

Mechanical characteristics

| | |
|----------------------|----------|
| Operating force min. | 0.035 Nm |
| Operating force max. | 1.8 Nm |

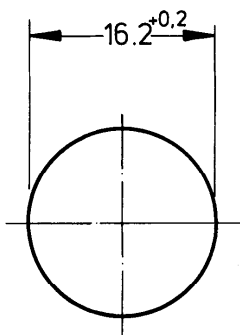
Electrical characteristics

| | |
|--------------------------|------------------------|
| Rated voltage AC/DC max. | 35 V |
| Rated voltage AC/DC min. | 5 V |
| Rated current AC/DC max. | 100 mA |
| Rated current AC/DC min. | 5 mA |
| ESD strength max. | 12 kV |
| Insulation resistance | $6 \times 10^8 \Omega$ |
| Contact resistance max. | 200 m Ω |

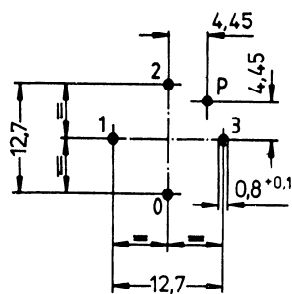
Other specifications

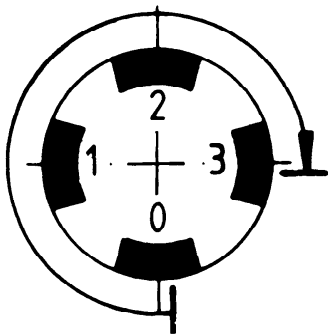
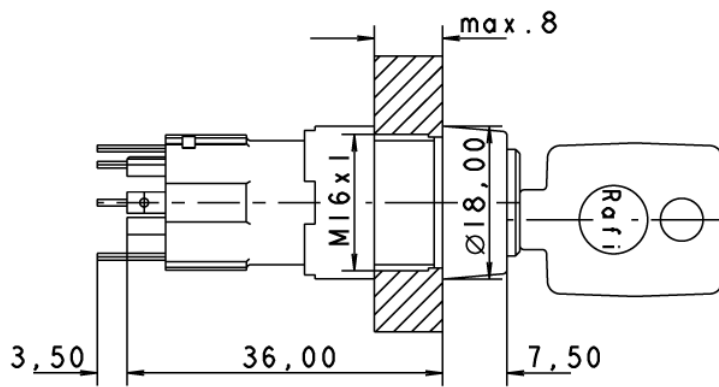
| | |
|--------------------------------------|--|
| Operating life (operations) | 50,000 cycle |
| Degree of protection from front side | IP65 (DIN EN 60529) |
| Operation temperature min. | -25 °C |
| Ambient temp. operating max. | +70 °C |
| Storage temperature min. | -40 °C |
| Storage temperature max. | +80 °C |
| Environmental resistance | acc. to IEC 60068-2-14, -30, -33 and -78 |
| Soldering temperature max. | 350 °C |
| Soldering time max. | 3 s |
| Weight | 29 g |
| Rotating angle | 3 x 90° |
| ROHS compliant | yes |
| REACH compliant | yes |

Mounting hole

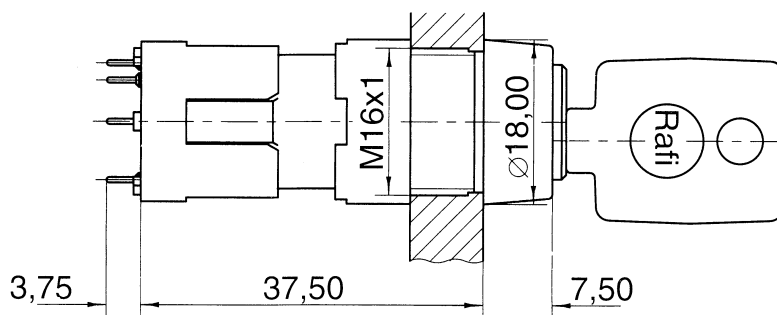


PCB hole pattern, sight on component side





with plug-in socket



X-ON Electronics

Largest Supplier of Electrical and Electronic Components

Click to view similar products for [Keylock Switches](#) category:

Click to view products by [Rafi](#) manufacturer:

Other Similar products are found below :

[89496-09](#) [58J1007](#) [58J8A45-01B05N](#) [719-0201-000](#) [719-0202-000](#) [719-0702-000](#) [719-5504-000](#) [84800-04](#) [GKNC33L](#) [GKNC3L](#)
[PVA2OAH5](#) [HA1K-2C2VA-2](#) [14-235.022K](#) [AS6H-2K2A](#) [AS6M-2K1B](#) [AS6Q-2K2A](#) [AS6Q-3K2A](#) [1571487-1](#) [KEY-AS6](#) [KH3C-20C](#)
[8928K493](#) [2SWK131AL102](#) [AS6M-2K1A](#) [AS6Q-2K1PB](#) [51-401.036D](#) [51-414.036D](#) [HW1K-31BF20](#) [HW1K-3HF20](#) [Y1112-2027CLFT](#)
[51-378.AD](#) [51-404.036D](#) [51-405.036D](#) [1-1437597-8](#) [58J8A36-01B04N](#) [58M1422](#) [86945-05](#) [719-0204-000](#) [719-0205-000](#) [719-0801-000](#)
[719-0804-000](#) [719-0805-000](#) [88422-18](#) [58J8A90-01B02N](#) [58J8A90-01C02N](#) [58J9P36-01B09N](#) [58J8A36-01C03N](#) [GKRA3K1A2-F03-C](#)
[GKBB14L6](#) [14-236.025K1020](#) [GKFE16LXA2](#)