

## MICON 5, SMT standard, 8 N



### fields of application

- › Measurement-control-regulation
- › Mechanical and system engineering
- › Automotive
- › Electro-medical

### special features

- › Gold contacts, reliable switching with low currents
- › Special tactile feedback
- › High packing density due to small form factor (5.1 x 6.4 mm)
- › Different operating forces
- › Ring and full illumination of the button surface due to plunger
- › Variable overall heights due to plunger
- › Terminal technology: SMT
- › Traceability through product identification in accordance with DIN EN ISO 9001



### description

MICON 5 tactile switches offer extreme switching reliability, with a very small space requirement. They can be arranged individually, in rows or as key blocks. For use beneath overlays, we recommend combining the MICON 5 key switches with plungers. Here are the properties at a glance:

- › Suitable for the most important soldering techniques
- › Soldering bath for THT versions
- › Reflow soldering for SMT versions
- › Vapor phase soldering for SMT versions
- › Manual soldering
- › Processing of the SMT design with SMT automatic assembly machines
- › IMDS entry
  
- › Packaging in blister tape, spool with 2,100 pieces
- › Proposal for stencil printing: 150 µm stencil with 10% pad reduction on area

## technical data

### > general

illuminated	No
Operating temperature, min.	-40 °C
Operating temperature, max.	90 °C
Storage temperature, min.	-40 °C
Storage temperature, max.	90 °C
Soldering	Reflow
Solder heat resistance according to standard	DIN EN 60068-2-58
Packaging	Blister
Packaging unit	2,100 pcs.
net weight	0.2 g
Operating life	250,000 Cycles
B10	325,000 Cycles
RoHS compliant	Yes
REACH compliant	Yes
oscillation resistance according to standard IEC 60068-2-6	5 g at 10...500 Hz

### direct links

> [RAFI eCatalog](#)

### > mounting diameters

Installation height	3.85 mm
Grid, min.	6 x 7,8 mm
Outside dimension, length	6.4 mm
Outside dimension, width	5.1 mm
Outside dimension, height	3.85 mm

### > mechanical data

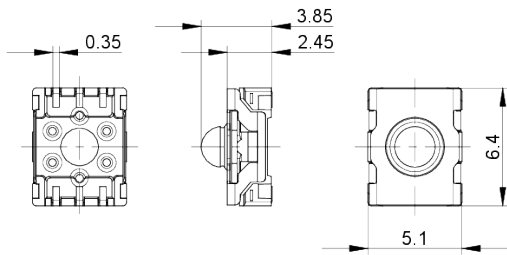
Actuation function	momentary contact function
Operating force, min.	8 N
Switching travel	1.1 mm
Contact function	1 NO
Contact system	Snap-action contact
Contact material	Gold
Terminal on the rear	SMT
Lötbarkeit	Yes

### > electrical data

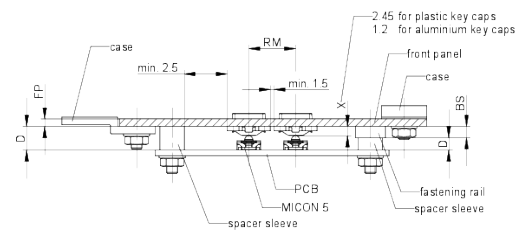
Rated voltage, min.	0.02 V
Rated voltage, max.	35 V
Rated current, min.	0 A
Rated current, max.	0.1 A
Rated power, max.	1 W
Dielectric strength	250 V

**drawings**

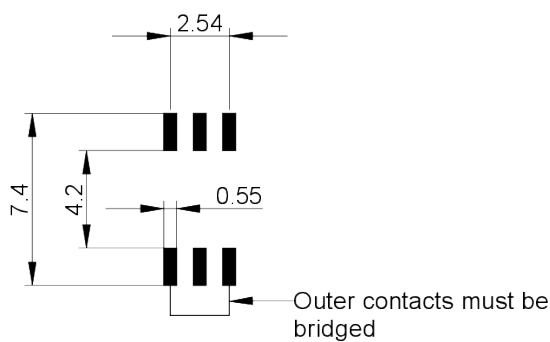
**Dimensioned drawing**



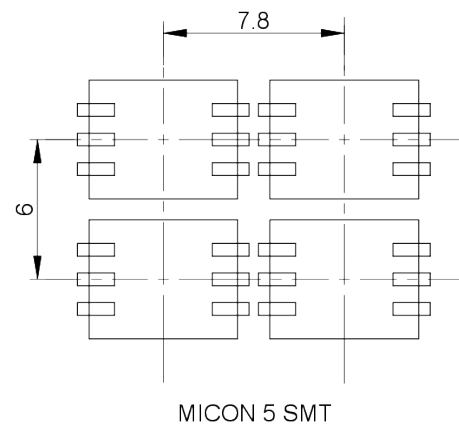
**System drawing**



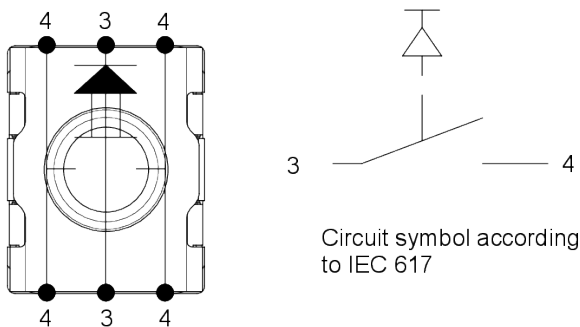
**PCB drawing**



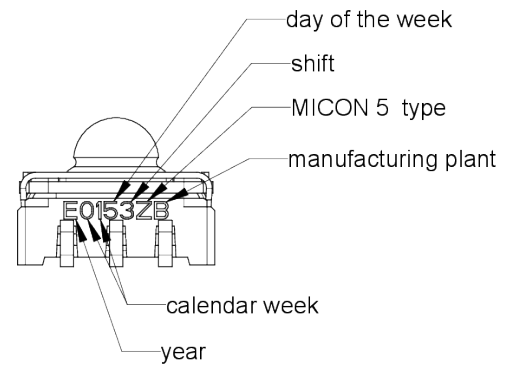
**PCB drawing**



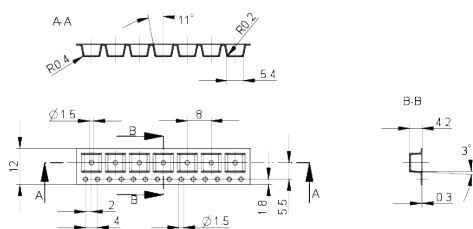
**Schematic diagram**



**Product labeling drawing**



**Packaging drawing**



## X-ON Electronics

Largest Supplier of Electrical and Electronic Components

*Click to view similar products for [Tactile Switches](#) category:*

*Click to view products by [Rafi](#) manufacturer:*

Other Similar products are found below :

[KMR633NG](#) [LFG](#) [5GTH92001](#) [5GTH9202242](#) [6426-201-11343](#) [MJ1226](#) [MJTP1109B](#) [MJTP1138EAUTR](#) [MJTP1230BL](#) [MJTPSHW](#)  
[GS6.90F300QP](#) [1-1977223-0](#) [1-1977120-4](#) [ADTSA62NV](#) [ADTSA62RV](#) [ADTSA63KV](#) [ADTSA644NV](#) [ADTSM24NVTR](#) [ADTSMW66NV](#)  
[ADTSMW67RV](#) [ATM533VTR](#) [1571300-3](#) [B3F-3123](#) [B3F-6055A](#) [B3F-B32-01-KIT](#) [1977177-8](#) [1977266-1](#) [2-1977223-4](#) [2-1977223-7](#)  
[ADTS644KV](#) [ADTSA61RV](#) [ADTSA62KV](#) [ADTSA63NV](#) [ADTSA63RV](#) [ADTSA65NV](#) [ADTSM21NSVTR](#) [ADTSM25RVTR](#)  
[ADTSM31RVTR](#) [ADTSM32NVTR](#) [ADTSM61YVTR](#) [ADTSM63SVTR](#) [ADTSM644KVTR](#) [ADTSMW64RV](#) [ADTSMW69NV](#)  
[FSMRA4JHA04](#) [GS4.70F300QP](#) [D38999/20JJ37SA](#) [TL1105B](#) [TL1105J](#) [ATH447K2Q](#) [ATM534VTR](#)