

## MICON 5 - Short-travel switch, SMT Standard

### 1.14.002.201/0000

The key switch type 1.14.002.201/0000 does not provide a tactile or acoustic feedback. It is normally used as a redundant additional key switch in combination with another MICON key switch. Packing: tape with 2100 pieces  
Keycaps see RK 90



Mounting hints:

Special pipette (Siemens Siplace order no.: 348514-02), mounting with collect and place head

Recommendation for screen printing: 150 µm stencil with 10% reduction of the pad size.

#### Dimensions

Length of housing	6.4 mm
Width of housing	5.1 mm
Overall height	3.85 mm

#### Mechanical design

Mounting	soldering
Terminals	SMT
Contact system	snap-action contact
Contact arrangement	1 NO
Contact materials	Au
Illumination	no

#### Mechanical characteristics

Operating force F1 (±20%)	1.5 N
Switching travel S2 (±0.15 mm)	0.5 mm

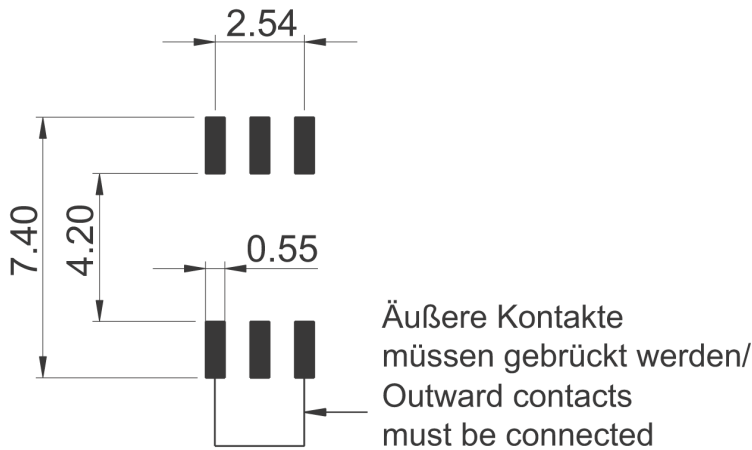
#### Electrical characteristics

Rated voltage min.	0.02 V
Rated voltage max.	35 V
Rated current min.	0.01 mA
Rated current max.	100 mA
Rated power max. (ohmic load)	1 W
Contact resistance when new	≤ 100 mΩ
Rated voltage resistance AC	250 V
Insulation resistance	10 <sup>9</sup> Ω

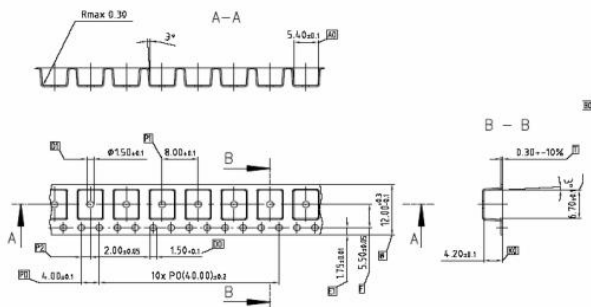
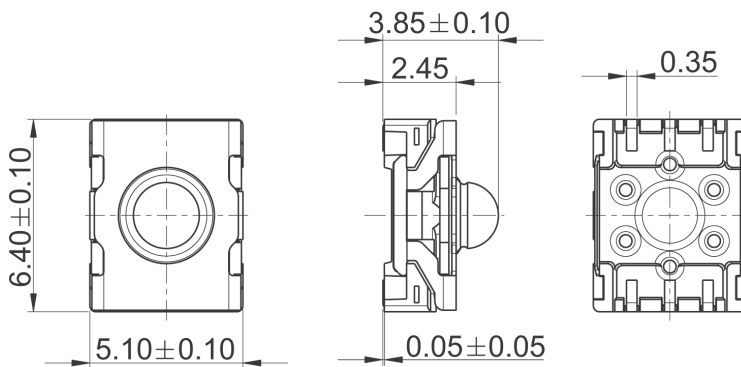
#### Other specifications

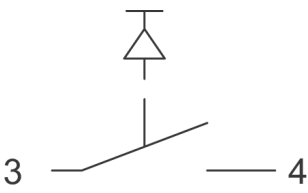
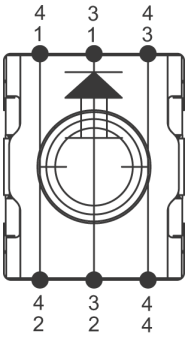
Ambient temp. operating min.	-40 °C
Ambient temp. operating max.	+90 °C
Resistance to environment	IEC 60068-2 -14,-30,-33, -78
Operating life (test force)	1,000,000 (4 N)

Solder heat resistance / Solderability	DIN EN 60068-2-58
Flammability of materials	UL 94 V1
Packing	tape and reel à 2100 pieces
Produkt type	J
ROHS compliant	yes
REACH compliant	yes

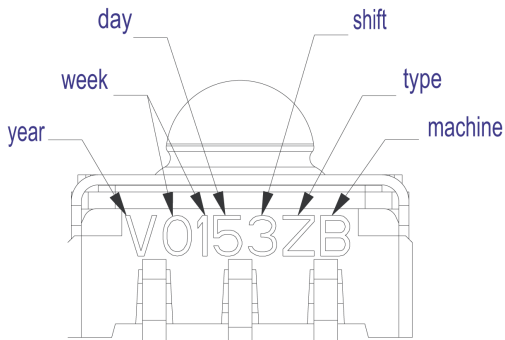


SMT Standard





Schaltzeichen  
nach IEC  
617



## X-ON Electronics

Largest Supplier of Electrical and Electronic Components

*Click to view similar products for [Thumbwheel Switches & Pushwheel Switches](#) category:*

*Click to view products by [Rafi](#) manufacturer:*

Other Similar products are found below :

[PICOD131ALULS2](#) [A7SS-107-PM](#) [DGAN-031-B](#) [1437603-2](#) [DPS10131AL2](#) [DPS10301AK](#) [DPS8111AK](#) [DPS8137AK2](#) [DPS8L2](#) [DPS8P2](#)  
[1437603-7](#) [SH6131AL2](#) [GO 51 WF](#) [312200000](#) [B5LS](#) [B9LS](#) [5034CR](#) [3-1437603-8](#) [C2K0-P107](#) [DGBN-036-B](#) [DPS10131AK](#)  
[DPS8141AK2](#) [DPS910A2](#) [DPS9131AK](#) [1-1437602-9](#) [1-1437602-8](#) [SH6G137AKLS2](#) [SH6SSG1253](#) [SMCD111AK](#) [DPS9L2](#) [432703046181](#)  
[1-1437603-1](#) [SMCD137AK](#) [SM000153](#) [SP1.5](#) [DPS8111AK2](#) [SMCDE131AK2](#) [PICODHSGB122](#) [TW01RED14](#) [TW01BLU14](#) [84212014](#)  
[84212013](#) [HTWF-1A12A21](#) [84212005](#) [301109100](#) [301419100](#) [302109002](#) [302329N00](#) [311100001](#) [312100100](#)