

**RACON 8 - Tactile switch, SMT gullwing (Z) terminals****1.14.100.803/0000**

For keycaps, refer to RK 90.

**Dimensions**

Length of housing	8.4 mm
Width of housing	8.4 mm
Height of housing	5.00 mm

**Mechanical design**

Mounting	soldering
Terminals	SMT Gullwing (Z) Anschluss
Contact system	snap-action contact
Contact arrangement	1 NO
Contact materials	Au
Illumination	no

**Mechanical characteristics**

Operating force	6.0 <sup>±1.0</sup> N
Switching travel	0.47 <sup>±0.1</sup> mm

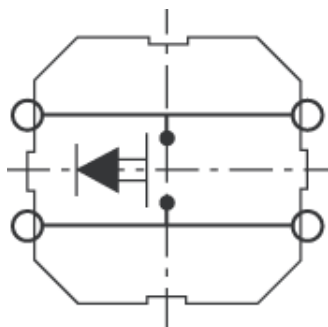
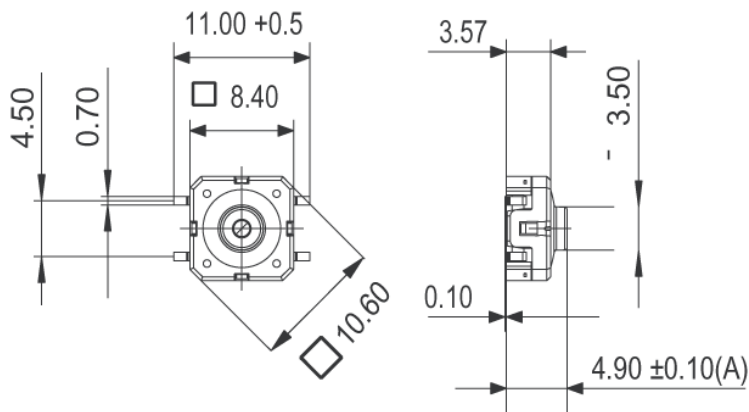
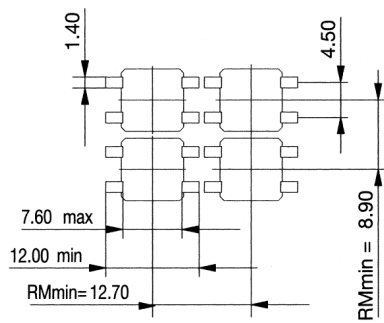
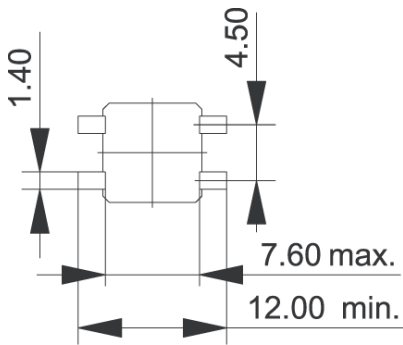
**Electrical characteristics**

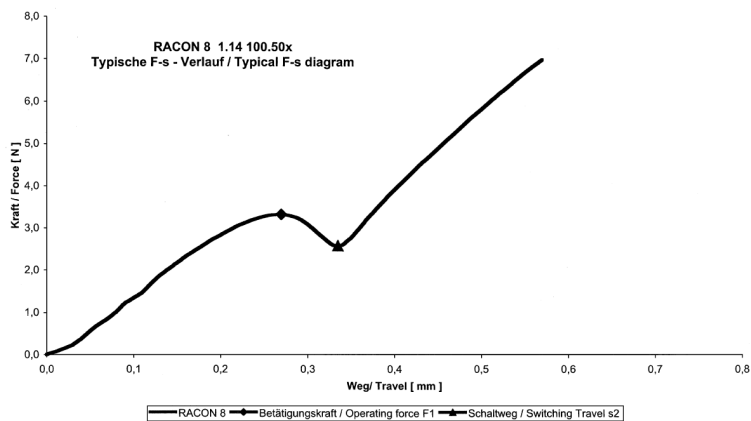
Rated voltage min.	0.02 V
Rated voltage max.	35 V
Rated current min.	0.01 mA
Rated current max.	100 mA
Rated power max. (ohmic load)	1 W
Contact resistance when new max.	100 mΩ
Insulation resistance	10 <sup>9</sup> Ω

**Other specifications**

Ambient temp. operating min.	-40 °C
Ambient temp. operating max.	+90 °C
Resistance to environment	DIN EN 60068-2 -14,-30,-33 and -78
Operating life	50,000 cycle
Solderability / Solder heat resistance	DIN EN 60068-2-58
Flammability of materials	UL 94 HB
Packing	tape and reel à 1000 pieces
Produkt type	C4
ROHS compliant	yes
REACH compliant	yes

PCB footprint, view on component side





## X-ON Electronics

Largest Supplier of Electrical and Electronic Components

*Click to view similar products for [Tactile Switches](#) category:*

*Click to view products by [Rafi](#) manufacturer:*

Other Similar products are found below :

[6407-250V-25273P](#) [ADTSA62NV](#) [B3F-3123](#) [1977177-8](#) [1977266-1](#) [ADTSA63NV](#) [ADTSM21NSVTR](#) [ADTSM25RVTR](#) [ADTSM32NVTR](#)  
[ADTSMW64RV](#) [1977120-6](#) [FSMRA4JHA04](#) [GS4.70F300QP](#) [KSC241J SP DELTA LFS](#) [3FTL600RAS](#) [3FTL640RAS](#) [Y96K132V0FPLFS](#)  
[09158](#) [6407-250V-25343P](#) [ADTSM31NVTR](#) [2-1977120-7](#) [TSJW-5.2-260-TR](#) [TME1-01-Z](#) [Y651050400P](#) [KMT011MNGJLHS](#)  
[ADTSG648NV](#) [ADTSM62KSVTR](#) [MJTP1138DTR](#) [ADTSM648NV](#) [95C06E3RAT](#) [3ATH9Q](#) [FSMRA8JHA04](#) [HARS0073](#)  
[Y33R411N9FPLFT](#) [Y33R51139FPLFT](#) [Y31C01402FPLFS](#) [PTS645SK50SMTR92](#) [ADTSM32NVB](#) [KMS233GPWTFLG](#) [Y78B64124FP](#)  
[Y33A812C5FP LFT](#) [Y56B2D120FP LFS](#) [PTS645 DVM83-BN125-2 LFS](#) [B3W 1000G](#) [B3F 1002C](#) [B3F 0047H](#) [B3W 1002C](#) [B3F 5001G](#)  
[B3W 1100C](#) [1-1571563-4](#)