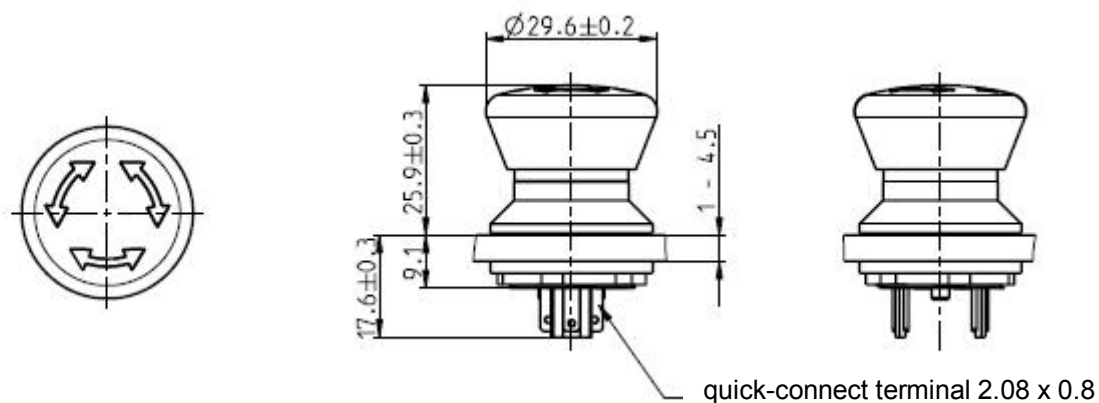


General Data

Type designation:	LUMOTAST 22
Description:	Emergency Stop Pushbutton acc. to EN 13850
Approbations:	-
Switch type:	2NC, 2NC + 1 NO, 2NC + LED
Protection class:	IP65
Storage temperature (max.):	-40 °C ... 80 °C
Operating temperature (max.):	-25 °C ... 70 °C
Operating life, mechanical / B10:	15,000



Electrical Data according to IEC/EN 60947-5-1 (VDE 0660, Part 200)

	Alternating current	Direct current
Use category:	AC15	DC13
Rating insulation voltage Ui:	250 V	250 V
Rating operation voltage Ue:	250 V	240 V
Therm. Steady current:	2.5 A	2.5 A

Technical Data

Mounting hole:	22.3 mm
Torque (assembly nut):	max. 1.9 Nm
Release:	Rotating release (left/right)
Mounting position:	any position
Manual Soldering:	leadfree soldering paste, temperature should not exceed 350°, soldering time max. 5 sec.
Norms:	EN 60947-5-1, EN 60947-5, EN 60068, EN 13850

Note

with integrated transmitter (2NC, 2NC + 1NO, 2NC illuminable with white LED)

- Switching position display
- acc. to EN 13850

Order numbers

LUMOTAST 22 Emergency Stop Pushbutton with 2NC	1.15.105.001/0000
LUMOTAST 22 Emergency Stop Pushbutton with 2NC, illuminable	1.15.105.011/0000
LUMOTAST 22 Emergency Stop Pushbutton with 2NC + 1NO	1.15.105.021/0000

3D data in ".step" or ".igs" format upon request.

Technical data are approximate and intended solely for general orientation in the selection of a product. Subject to modifications and errors. Images and other graphics may only be similar. For more information, refer to www.rafi.de chapter Imprint /Data Protection.

RAFI GmbH & Co. KG
Ravensburger Str. 128-134, D-88276 Berg/Ravensburg
Tel.: +49 751 89-0, Fax: +49 751 89-1300
www.rafi.de, info@rafi.de

X-ON Electronics

Largest Supplier of Electrical and Electronic Components

Click to view similar products for [Emergency Stop Switches / E-Stop Switches](#) category:

Click to view products by [RAFI](#) manufacturer:

Other Similar products are found below :

[84-6830.0020](#) [AVN302N-R](#) [3050.1302Y](#) [84-6841.2B20](#) [ZA2BV05](#) [951FY000-WO](#) [ER6022-022N](#) [952+2000-00](#) [ES3S51653001](#) [601+0000-OP](#) [E100-A2A22S05A](#) [XCSA802](#) [XCSB502](#) [2TLA030051R0100](#) [D2D 1009M](#) [D2D 1013H](#) [AZM 170SK-02ZRKA 24VAC/DC](#) [84-6820.0020A](#) [84-6820.0040](#) [XY2CH13250H29](#) [XCSDMR590L01M12](#) [XCSTA892](#) [XCSMP80L5](#) [FB1W-HW1B-M220B](#) [FB1W-HW1B-X401R](#) [84-5221.2B20](#) [AZM KEY \(M5\)](#) [AZ 17/170-B15](#) [AZM 161SK-12/12RKA-110/230](#) [AZM 415-11/11ZPK 24VAC/DC](#) [AZM 415-11/11ZPKA 24VAC/DC](#) [AZM 161-B1S](#) [AZ 15/16-B1-2245](#) [AZ 17/170-B11](#) [AZ 17-11ZI B5](#) [BNS 40S-12Z 10,0M](#) [AZ 16-02ZVRK-ST](#) [AZ/AZM 415-B2](#) [AZ/AZM 415-B3](#) [MZM 100-B1.1](#) [A-K8P-M12-S-G-5M-BK-2-X-A-4-69](#) [A-K8P-M12-S-G-10M-BK-2-X-A-4-69](#) [A-K5P-M12-S-G-10M-BK-2-X-A-4-69](#) [A-K4P-M12-S-G-2M-BK-2-X-A-4-69](#) [AZ/AZM201-B30-RTAG1P1-SZ](#) [SK-BETÄTIGER M3](#) [SK-BET.M4](#) [KPL. M.KAP. BETÄTIGER A1 KPL.](#) [SK-A2Z M](#) [SK-U1Z M](#)