

Pushbutton illuminated - mounting hole diameter 9.1 mm, with built-in LED, white lens

1.15.106.505/1000



General information

| | |
|----------------|-------------------|
| Form of lens | protruding lens |
| Color of lens | transparent white |
| Form of collar | round |

Dimensions

| | |
|--------------------|--------|
| Diameter of collar | 11 mm |
| Overall height | 7 mm |
| Mounting depth | 25 mm |
| Mounting hole | 9.1 mm |

Mechanical design

| | |
|---------------------|-----------------------|
| Mounting | ring nut |
| Terminals | solder terminals |
| Contact system | bridge contact |
| Contact function | momentary |
| Contact arrangement | 1 NC + 1 NO |
| Contact materials | Au |
| Illumination | LED superbright white |
| Lamp socket | no |

Mechanical characteristics

| | |
|----------------------|--------|
| Operating force max. | 5 N |
| Operating travel | 1.5 mm |
| Switching travel NC | 0.5 mm |
| Switching travel NO | 1 mm |
| Robustness max. | 100 N |

Electrical characteristics

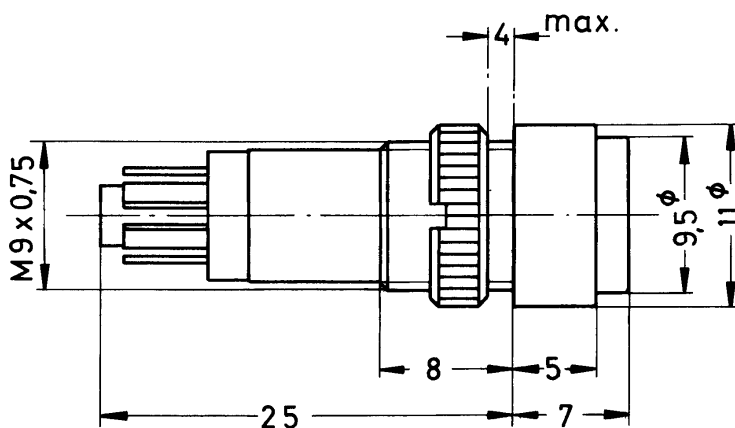
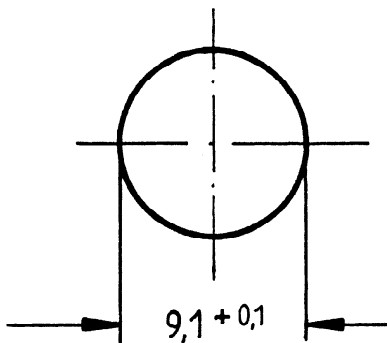
| | |
|--------------------------------------|------------------------------------|
| Rated voltage AC/DC max. | 24 V |
| Rated voltage DC max. | 24 V |
| Rated current max. | 0.5 A |
| Contact resistance when new max. | 50 mΩ |
| Contact resistance acc. to life max. | 300 mΩ |
| Bouncing time max. | 10 ms |
| Lamp voltage | 2 V/10 mA external series resistor |

Other specifications

| | |
|--------------------------------------|---------------------|
| Operating life key switch | 200,000 cycle |
| Degree of protection from front side | IP40 (DIN EN 60529) |
| Operation temperature min. | -25 °C |

| | |
|------------------------------|--|
| Ambient temp. operating max. | +70 °C, LED +55 °C |
| Storage temperature min. | -40 °C |
| Storage temperature max. | +80 °C |
| Environmental resistance | acc. to IEC 60068-2-14, -30, -33 and -78 |
| Soldering temperature max. | 350 °C |
| Soldering time max. | 3 s |
| Weight | 3 g |
| LED forward current | max. 10 mA at T = 25 degree |
| LED forward voltage | 2 V at 10 mA |
| LED reverse voltage | 5 V |
| LED reverse current | 0.1 mA |
| LED power dissipation | max. 120 mW at T = 50 degree |
| LED series resistor 5-7 V | 270 Ω, 0,25 W |
| LED series resistor 12-14 V | 680 Ω, 0.5 W |
| LED series resistor 24-28 V | 1500 Ohm, 1 W |
| ROHS compliant | yes |
| REACH compliant | yes |

Panel cut-out



X-ON Electronics

Largest Supplier of Electrical and Electronic Components

Click to view similar products for [Pushbutton Switches](#) category:

Click to view products by [RAFI](#) manufacturer:

Other Similar products are found below :

[8940K2012](#) [LW1L-M1C10V-A](#) [LW1L-M1C70-A](#) [LW2L-A1C20M-GD](#) [LW2L-M1C20M-A](#) [60324L](#) [M22-D-R-GB0/K11](#) [M7E-HRN2](#)
[67021K512](#) [67081K512X](#) [701PB580](#) [7199K101](#) [810K12910](#) [810KSV30B](#) [MML21EA2ADK](#) [MML21KA3ABK](#) [MML23KA3AC05K-001](#)
[MML23KW3AA01W](#) [8418K2](#) [8442K3](#) [8450K1](#) [860K11911T01A](#) [861901](#) [861K11911T01A07](#) [861K13810T00A14](#) [861K13911](#)
[8646AB6X718UL](#) [8646ABUL](#) [9001KXRK](#) [907AYY100](#) [PMHD155A1](#) [9533CD4+U574+U4922](#) [95-414.000](#) [99-450.837](#) [99-453.837](#)
[PV3H2B0NN-341](#) [1203MRA](#) [A22NZBGANGA](#) [A22NZBNANGA](#) [A22NZMPATRA](#) [A2PMA1X03EC56](#) [A3A-5123-02](#) [A3A-7140](#) [A3A-7310](#) [A3A-7340](#) [A3U-TMW-A2C-5M](#) [A595](#) [12037A2ULCSA](#) [ABD122N-B](#) [1211390004](#)