

LUMOTAST 25 - Illuminated pushbutton with protruding lens, "Click" quick-assembly feature, housing

1.15.150.606/0000

Note when using LEDs: When the key body is removed, a notch becomes visible at the edge of the LED recess. This notch marks the cathode side (-).



Please include the desired lens in your order.

General information

| | |
|----------------|-----------------|
| Form of lens | protruding lens |
| Form of collar | square |

Dimensions

| | |
|------------------------------------|---------|
| Length of collar | 25 mm |
| Width of collar | 25 mm |
| Overall height | 7.1 mm |
| Mounting depth with connector | 30.7 mm |
| Mounting depth with plug-in socket | 33.4 mm |
| Mounting hole | 16.2 mm |

Mechanical design

| | |
|---------------------|---------------------------------------|
| Mounting | click quick connection |
| Terminals | pin connector 4-pole / plug-in socket |
| Contact system | snap-action contact |
| Contact function | momentary |
| Contact arrangement | 1 NO |
| Contact materials | Au |
| Illumination | yes |
| Lamp socket | Bi-Pin T1 / T1¼ |

Mechanical characteristics

| | |
|----------------------|-------|
| Operating force max. | 6 N |
| Operating travel | 3 mm |
| Switching travel | 2 mm |
| Robustness max. | 100 N |

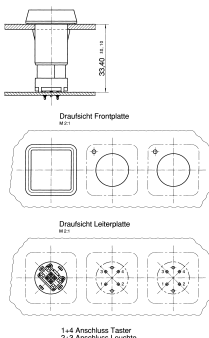
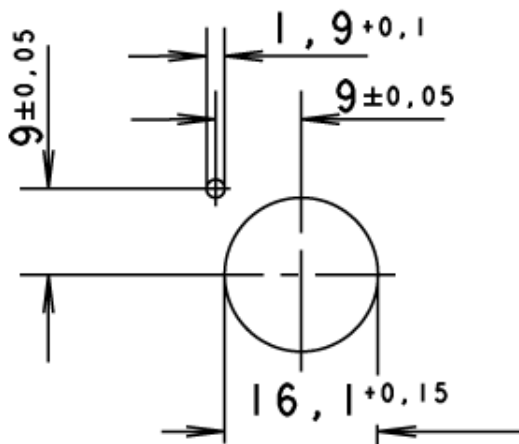
Electrical characteristics

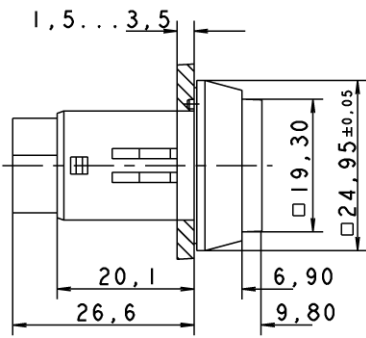
| | |
|--------------------------------------|---------|
| Rated voltage AC/DC max. | 35 V |
| Rated voltage AC/DC min. | 0.02 V |
| Rated current AC/DC max. | 100 mA |
| Rated current AC/DC min. | 0.01 mA |
| Contact resistance acc. to life max. | 100 mΩ |
| Bouncing time max. | 5 ms |

Other specifications

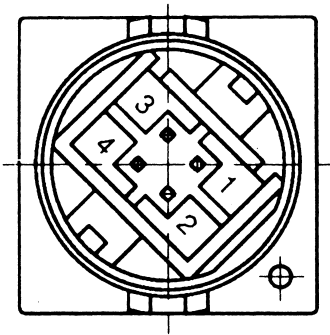
| | |
|---|--|
| Operating life (operations) | 1,000,000 cycle |
| Degree of protection from front side | IP65 (DIN EN 60529) |
| Ambient temp. operating max. without lamp / LED | -25 °C |
| Ambient temp. operating max. without lamp / LED | +70 °C |
| Ambient temp. operating min. with lamp /LED | -25 °C |
| Ambient temp. operating max. with lamp /LED | +55 °C |
| Storage temperature min. | -40 °C |
| Storage temperature max. | +80 °C |
| Environmental resistance | acc. to IEC 60068-2-14, -30, -33 and -78 |
| Weight | 7 g |
| ROHS compliant | yes |
| REACH compliant | yes |

Panel cut-out

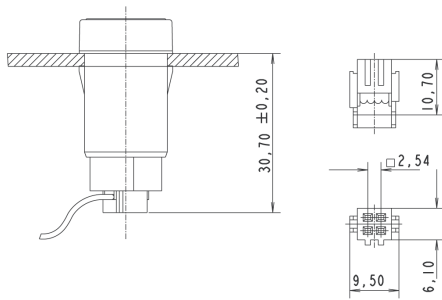




1+4 = NO contact 2+3 = lamp socket (3 = cathode)



with socket connector



X-ON Electronics

Largest Supplier of Electrical and Electronic Components

Click to view similar products for [Pushbutton Switches](#) category:

Click to view products by [Rafi](#) manufacturer:

Other Similar products are found below :

[8940K2012](#) [LW1L-M1C10V-A](#) [LW1L-M1C70-A](#) [LW2L-A1C20M-GD](#) [LW2L-M1C20M-A](#) [60324L](#) [M22-D-R-GB0/K11](#) [M7E-HRN2](#)
[67021K512](#) [67081K512X](#) [701PB580](#) [7199K101](#) [810K12910](#) [810KSV30B](#) [MML21EA2ADK](#) [MML21KA3ABK](#) [MML23KA3AC05K-001](#)
[MML23KW3AA01W](#) [8418K2](#) [8442K3](#) [8450K1](#) [860K11911T01A](#) [861901](#) [861K11911T01A07](#) [861K13810T00A14](#) [861K13911](#)
[8646AB6X718UL](#) [8646ABUL](#) [9001KXRK](#) [907AYY100](#) [PMHD155A1](#) [9533CD4+U574+U4922](#) [95-414.000](#) [99-450.837](#) [99-453.837](#)
[PV3H2B0NN-341](#) [1203MRA](#) [A22NZBGANGA](#) [A22NZBNANGA](#) [A22NZMPATRA](#) [A2PMA1X03EC56](#) [A3A-5123-02](#) [A3A-7140](#) [A3A-7310](#) [A3A-7340](#) [A3U-TMW-A2C-5M](#) [A595](#) [12037A2ULCSA](#) [ABD122N-B](#) [1211390004](#)