



GET IN
TOUCH

LUMOTAST 16

Flat. Reliable. Flexible.





A CLEAR SIGNAL

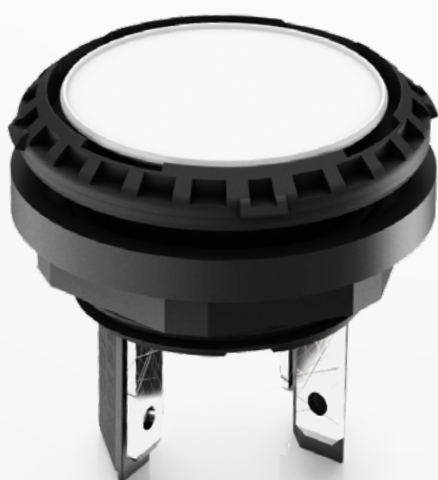
LUMOTAST 16 – FLAT. RELIABLE. FLEXIBLE.

Space for pushbuttons and switches is limited on many devices – especially when they must be both handy and user-friendly. This has previously led to compromises in this area – in terms of the design or quality. That’s why we developed the LUMOTAST 16.

The new single pushbutton series, consisting of a pushbutton and emergency stop, is designed primarily for use in applications such as equipment manufacturing and hand-held terminals. This space-saving component family is equally impressive at the front and at the rear.

PUSHBUTTONS

The built-in tactile switches offer crisp feedback. Special, first-class switching behavior is achieved, combined with full area illumination. Our illuminated pushbuttons can be labeled to suit any application by the manufacturer or customer.



EMERGENCY STOP

The LUMOTAST 16 emergency stop variant reliably brings machines and equipment to a standstill. With its attractive design, the LUMOTAST 16 is a real eye-catcher.

For hand-held devices, the trend is towards wireless solutions with a radio connection to the machine. The emergency stop buttons used here must offer special functions, such as our special “active/inactive” emergency stop variant – an innovation with a signaling effect. Precisely matched to the applicable safety standards, this special emergency stop not only increases safety, but also convenience. Our “active/inactive” variant only switches if the device is connected to the machine. To avoid confusion, the translucent special variant lights up red when active. The hard-wired emergency stop on the machine or system is not affected by this.

YOUR BENEFITS AT A GLANCE:

- Product range with a wide variety of possible applications and uses in industry
- Standardized mounting hole diameter 16.2 mm
- Mounting depth just 18.0 mm
- Very compact, flat design – from the front
- Flexible and simple labeling options
- Pushbuttons with crisp feel
- Degree of protection IP 65 and IP 67
- Dupe-proof and illuminated emergency stop switches to IEC 60 947-5-5

LUMOTAST 16 PRODUCT PORTFOLIO:

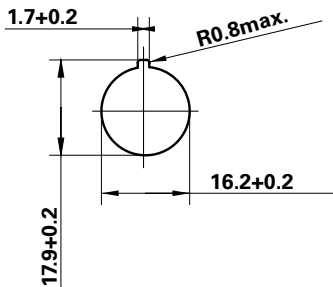
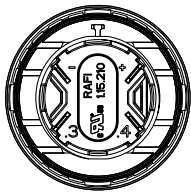
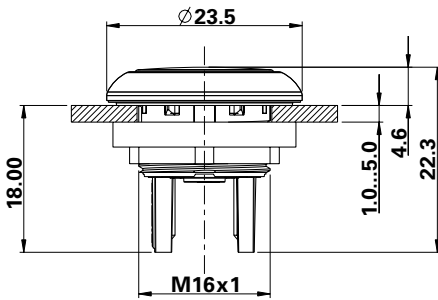
- C-LAB pushbutton and C-LAB illuminated pushbutton with customized labeling
- Illuminated pushbutton
- Pushbutton
- Emergency stop
- “active/inactive” emergency stop

LUMOTAST 16

C-LAB



→ LUMOTAST 16 C-LAB pushbuttons or illuminated pushbuttons can be configured easily by the customer. This means various front ring colors can be combined with the bezels according to the user's own wishes or design preferences. It also means that customized label symbols or texts can be implemented.



→ General

Model designation	Pushbutton; C-LAB illuminated pushbutton
Collar shape	round
Front ring color	see order pad

→ Mounting dimensions

Collar dimension	23.5 mm
Overall height	22.3 mm
Mounting depth	18.0 mm
Mounting hole	16.2 mm
Key grid	25 x 25 mm

→ Technical data

Fixing	Threaded ring
Torque for threaded ring	max. 0.8 Nm
Terminal on the rear	Male quick-connect terminal 2.8 x 0.5 mm
Contact material	Gold

→ Electrical data

Contact configuration	1 NO
Rated voltage, min.	0.02 V
Rated voltage, max.	35 V
Max. rated voltage as per UL 60 947	30 V AC (42.4 V peak)
Rated current, min.	0.01 mA
Rated current, max.	100 mA
Rated power, max.	1 W

→ LED electrical data

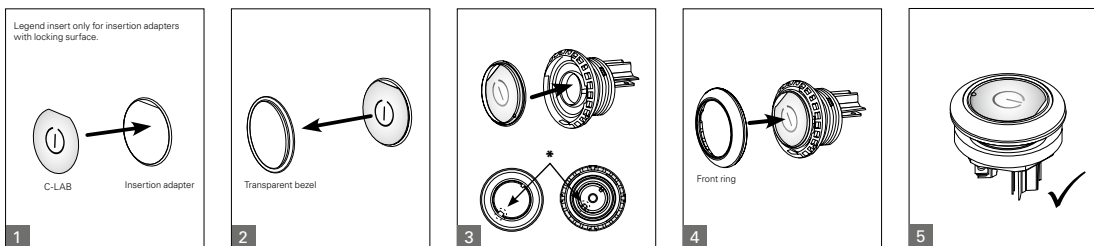
LED operating voltage, min.	10 V DC
LED operating voltage, max.	32 V DC
LED operating current, min.	18 mA
LED operating current, max.	22 mA
LED terminal marking	Anode +, Cathode -

→ Other details

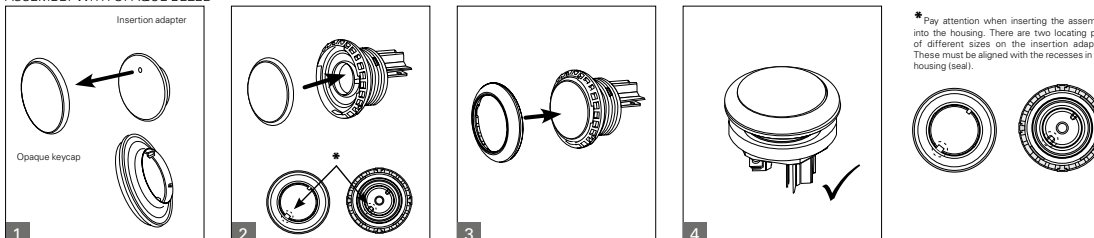
Operating temperature	-25°C to +70°C
Storage temperature	-40°C to +80°C
Operating life (switching operations)	500,000
B10	600,000
Degree of protection, front side	IP65; IP67
ROHS compliant	Yes
REACH compliant	Yes

C-LAB, ASSEMBLY INSTRUCTIONS

ASSEMBLY WITH TRANSPARENT BEZEL



ASSEMBLY WITH OPAQUE BEZEL



LUMOTAST 16, C-LAB



Basic version with insertion adapter



Legend insert



Bezel, transparent

→ LUMOTAST 16 pushbutton C-LAB

	Color	Order no.
C-LAB pushbutton, basic version	-	1.15.210.900/0000
C-LAB bezel	opaque black	5.00.888.504/0100
C-LAB bezel	opaque white	5.00.888.504/0200
C-LAB bezel	opaque red	5.00.888.504/0300
C-LAB bezel	opaque yellow	5.00.888.504/0400
C-LAB bezel	opaque green	5.00.888.504/0500
C-LAB bezel	opaque blue	5.00.888.504/0600

Please always order basic version, bezel and front ring. Delivery in single parts.

→ LUMOTAST 16 C-LAB illuminated pushbutton

	Color	Order no.
C-LAB illuminated pushbutton, basic version	-	1.15.210.910/0000
C-LAB bezel	translucent white	5.00.888.505/2200
C-LAB bezel	translucent red	5.00.888.505/2300
C-LAB bezel	translucent yellow	5.00.888.505/2400
C-LAB bezel	translucent green	5.00.888.505/2500
C-LAB bezel	translucent blue	5.00.888.505/2600

Please always order basic version, bezel and front ring. Delivery in single parts.

→ LUMOTAST 16 C-LAB illuminated pushbutton, inscribable

	Color	Order no.
C-LAB illuminated pushbutton, inscribable, basic version	-	1.15.210.920/0000
C-LAB bezel	transparent white	5.00.888.506/1000
C-LAB bezel	transparent red	5.00.888.506/1300
C-LAB bezel	transparent yellow	5.00.888.506/1400
C-LAB bezel	transparent green	5.00.888.506/1500
C-LAB bezel	transparent blue	5.00.888.506/1600
Labeling sheet DIN A4, with 7x9 legend insert, unlabeled for self-printing		5.70.800.203/0000

Please always order basic version, bezel and front ring. Delivery in single parts.



→ Front rings

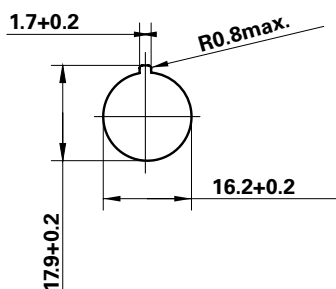
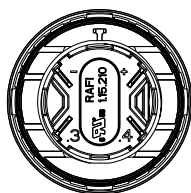
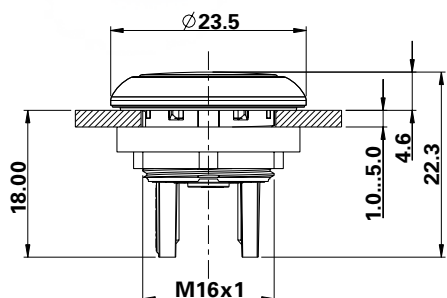
Front ring	Order no.
black	5.00.888.510/0100
red	5.00.888.510/0300
yellow	5.00.888.510/0400
green	5.00.888.510/0500
blue	5.00.888.510/0600
metallized	5.00.888.510/8100

LUMOTAST 16

PUSHBUTTON, ILLUMINATED PUSHBUTTON



→ Through the use of RAFI tactile switches, the LUMOTAST 16 pushbuttons and illuminated pushbuttons offer crisp, tactile feedback – with a distinct key click. They offer an impressively wide range of possible industrial uses and applications.



→ General

Model designation	Pushbutton, illuminated pushbutton
Collar shape	round
Front ring color	black/metallized

→ Mounting dimensions

Collar dimension	23.5 mm
Overall height	22.3 mm
Mounting depth	18.0 mm
Mounting hole	16.2 mm
Key grid	25 x 25 mm

→ Technical data

Fixing	Threaded ring
Torque for threaded ring	max. 0.8 Nm
Terminal on the rear	Male quick-connect terminal 2.8 x 0.5 mm
Contact material	Gold

→ Electrical data

Contact configuration	1 NO
Rated voltage, min.	0.02 V
Rated voltage, max.	35 V
Rated current, min.	0.01 mA
Rated current, max.	100 mA
Max. rated voltage as per UL 60 947	30 V AC (42.4 V peak)
Rated power, max.	1 W

→ LED electrical data

LED operating voltage, min.	10 V DC
LED operating voltage, max.	32 V DC
LED operating current, min.	18 mA
LED operating current, max.	22 mA
LED terminal marking	Anode +, Cathode -

→ Other details

Operating temperature	-25°C to +70°C
Storage temperature	-40°C to +80°C
Operating life (switching operations)	500,000
B10	600,000
Degree of protection, front side	IP65; IP67
ROHS compliant	Yes
REACH compliant	Yes

→ LUMOTAST 16 pushbutton

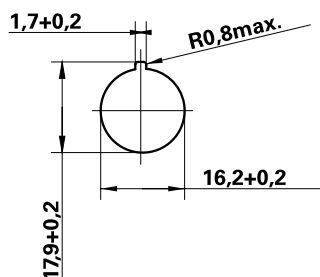
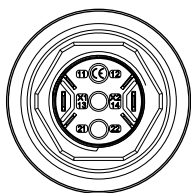
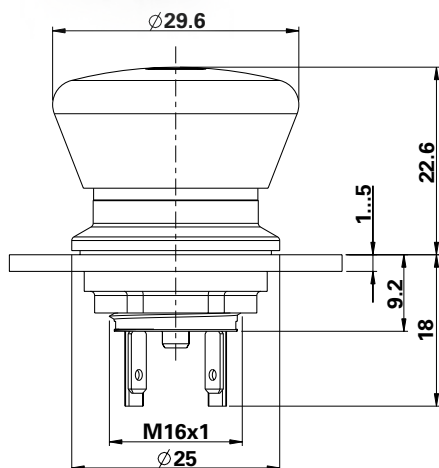
	Color	Order no. Front ring, black	Order no. Front ring, metallized
Pushbutton	opaque black	1.15.210.001/0101	1.15.210.021/0100
Pushbutton	opaque white	1.15.210.001/0201	1.15.210.021/0200
Pushbutton	opaque red	1.15.210.001/0301	1.15.210.021/0300
Pushbutton	opaque yellow	1.15.210.001/0401	1.15.210.021/0400
Pushbutton	opaque green	1.15.210.001/0501	1.15.210.021/0500
Pushbutton	opaque blue	1.15.210.001/0601	1.15.210.021/0600

→ LUMOTAST 16 illuminated pushbutton

	Color	Order no. Front ring, black	Order no. Front ring, metallized
Illuminated pushbutton	translucent white	1.15.210.101/2201	1.15.210.121/2200
Illuminated pushbutton	translucent red	1.15.210.101/2301	1.15.210.121/2300
Illuminated pushbutton	translucent yellow	1.15.210.101/2401	1.15.210.121/2400
Illuminated pushbutton	translucent green	1.15.210.101/2501	1.15.210.121/2500
Illuminated pushbutton	translucent blue	1.15.210.101/2601	1.15.210.121/2600

LUMOTAST 16

EMERGENCY STOP



- The LUMOTAST 16 emergency stop elements are equipped with up to 3 contacts. This means that, for example, 2 redundant contacts can be earmarked for safety applications, while a signaling contact triggers the position sensing. An additional safety factor for your application. We offer you a further variant with the "active/inactive" emergency stop.

→ General

Series	LUMOTAST 16
Model designation	Emergency stop
Collar shape	round
Color	yellow – red / yellow – translucent

→ Mounting dimensions

Collar dimension	25.0 mm
Overall height	40.8 mm
Mounting depth	18.0 mm
Mounting hole	16.2 mm
Key grid	30 x 30 mm

→ Technical data

Fixing	Threaded ring
Torque for threaded ring	max. 1.5 Nm
Terminal on the rear	Male quick-connect terminal 2.8 x 0.5 mm
Contact material	Gold or silver

→ Gold contacts, electrical data

Contact configuration	see order block
Rated voltage, min.	0.02 V
Rated voltage, max.	35 V
Rated current, min.	1 mA
Rated current, max.	100 mA
Rated power, max.	0.5 W

→ Silver contacts, electrical data

Contact configuration	see order block
Rated voltage, min.	10 V
Rated voltage, max.	35 V
Rated current, min.	15 mA
Rated current, max.	6 A
Rated power, max.	250 W

→ LED electrical data

LED operating voltage, min.	18 V
LED operating voltage, max.	28 V
LED operating current, min.	8 mA
LED operating current, max.	18 mA

→ Other details

Operating temperature	-25°C to +70°C
Storage temperature	-40°C to +80°C
Operating life (switching operations)	30,000
Degree of protection, front side	IP65; IP67
B10	30,000

→ LUMOTAST 16 Emergency stop

Contact configuration	Illumination	Order no. (Gold)	Order no. (Silver)
Emergency stop, 1 NC	No	1.15.213.011 /0000	1.15.213.001 /0000
Emergency stop, 2 NC	No	1.15.213.012 /0000	1.15.213.002 /0000
Emergency stop, 2 NC + 1 NO	No	1.15.213.013 /0000	1.15.213.003 /0000
Emergency stop, 2 NC	illuminated arrows	1.15.213.014 /0000	1.15.213.004 /0000

→ "active/inactive" emergency stop

"active/inactive" emergency stop	Order no. (Gold)	Order no. (Silver)
"active/inactive" emergency stop, 2 NC	1.15.213.064/0000	1.15.213.054/0000

The information in this brochure only contains general descriptions and / or performance features, which may not apply precisely as described to the respective application, and which may change due to further product enhancements. The technical data, illustrations and other information about our products are the mere results of individual technical testing. These descriptions and other product features are only binding if they expressly agreed upon at the time of the

conclusion of a binding contract. In all other cases, we reserve the right to make technical changes as well as changes of availability. Pictures and other graphic illustrations are approximations only.

All product names may be trademarks or brand names of the RAFI Group or any other sub-supplier of RAFI. The use of such by any third parties for their own purposes may infringe the rights of the respective entity holding those rights.

RAFI GmbH & Co. KG

Ravensburger Str. 128–134, D-88276 Berg/Ravensburg

Tel.: +49 751 89-0, Fax: +49 751 89-1300

www.rafi.de, info@rafi.de

RAFI

X-ON Electronics

Largest Supplier of Electrical and Electronic Components

Click to view similar products for [Pushbutton Switches](#) category:

Click to view products by [Rafi](#) manufacturer:

Other Similar products are found below :

[8940K2012](#) [LW1L-M1C10V-A](#) [LW1L-M1C70-A](#) [LW2L-A1C20M-GD](#) [LW2L-M1C20M-A](#) [60324L](#) [M22-D-R-GB0/K11](#) [M7E-HRN2](#)
[67021K512](#) [67081K512X](#) [701PB580](#) [7199K101](#) [810K12910](#) [810KSV30B](#) [MML21EA2ADK](#) [MML21KA3ABK](#) [MML23KA3AC05K-001](#)
[MML23KW3AA01W](#) [8418K2](#) [8442K3](#) [8450K1](#) [860K11911T01A](#) [861901](#) [861K11911T01A07](#) [861K13810T00A14](#) [861K13911](#)
[8646AB6X718UL](#) [8646ABUL](#) [9001KXRK](#) [907AYY100](#) [PMHD155A1](#) [9533CD4+U574+U4922](#) [95-414.000](#) [99-450.837](#) [99-453.837](#)
[PV3H2B0NN-341](#) [1203MRA](#) [A22NZBGANGA](#) [A22NZBNANGA](#) [A22NZMPATRA](#) [A2PMA1X03EC56](#) [A3A-5123-02](#) [A3A-7140](#) [A3A-7310](#) [A3A-7340](#) [A3U-TMW-A2C-5M](#) [A595](#) [12037A2ULCSA](#) [ABD122N-B](#) [1211390004](#)