

## LUMOTAST 16 - Emergency stop pushbutton, non-illuminated, 2 NC, reset by rotation

1.15.213.002/0000



### General information

Form of lens	conical mushroom form
Color of lens	red
Form of collar	round

### Dimensions

Mushroom Diameter	30 mm
Overall height	22.6 mm
Mounting depth	18.2 mm
Mounting hole	16.2 mm

### Mechanical design

NC contact forcibly actuated acc. to IEC 60947-5-1	yes
Mounting	ring nut
Terminals	quick connector 2.8 x 0.5 mm
Torque for nut ring	0.8 - 1.5 Nm
Contact function	latching
Contact materials	Ag
Illuminability	no
Reset	by rotation

### Mechanical characteristics

Robustness max.	100 N
-----------------	-------

### Electrical characteristics

Contact arrangement	2 NC
Rated voltage min.	10 V
Rated voltage max.	35 V
Rated current min.	15 mA
Rated current max.	6000 mA
Rated power max.	250 W

### Electrical characteristics of LED

LED operating voltage DC min.	18 V
LED operating voltage max.	28 V
LED operating current min.	8 mA
LED operating current max.	18 mA
LED terminal marking	Anode +, Cathode -

### Electrical characteristics acc. to IEC 60947, AC-15, DC-13

Rated peak voltage	2500 V
--------------------	--------

---

 Rated operating current  $I_E$ , AC15 B300

35 V / 5 A

---

 Rated operating current  $I_e$  DC-13 Q300

35 V / 2 A

---

**Other specifications**

Ambient temp. operating min.

-25 °C

Ambient temp. operating max.

+70 °C

Storage temperature min.

-40 °C

Storage temperature max.

+80 °C

Robustness

acc. to IEC 600 68-2-3 und 2-30

Operating life (operations) / B10

30,000 / 30,000 cycle

Degree of protection from front side

IP65 (DIN EN 60529) / IP67

Environmental resistance

acc. to IEC 60068-2-14, -30, -33 and -78

Salt spray

IEC 600 68-2-11

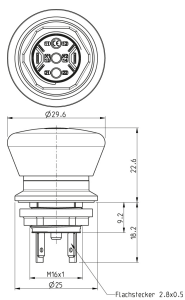
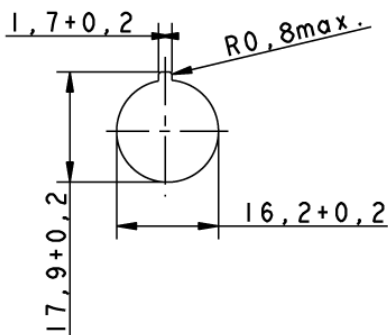
ROHS compliant

yes

REACH compliant

yes

---

 Panel cut-out


## X-ON Electronics

Largest Supplier of Electrical and Electronic Components

*Click to view similar products for [Emergency Stop Switches / E-Stop Switches](#) category:*

*Click to view products by [Rafi](#) manufacturer:*

Other Similar products are found below :

[84-6830.0020](#) [AVN302N-R](#) [3050.1302Y](#) [84-6841.2B20](#) [ZA2BV05](#) [951FY000-WO](#) [ER6022-022N](#) [952+2000-00](#) [ES3S51653001](#) [601+0000-OP](#) [E100-A2A22S05A](#) [XCSA802](#) [XCSB502](#) [2TLA030051R0100](#) [D2D 1009M](#) [D2D 1013H](#) [AZM 170SK-02ZRKA 24VAC/DC](#) [84-6820.0020A](#) [84-6820.0040](#) [XY2CH13250H29](#) [XCSDMR590L01M12](#) [XCSTA892](#) [XCSMP80L5](#) [FB1W-HW1B-M220B](#) [FB1W-HW1B-X401R](#) [84-5221.2B20](#) [AZM KEY \(M5\)](#) [AZ 17/170-B15](#) [AZM 161SK-12/12RKA-110/230](#) [AZM 415-11/11ZPK 24VAC/DC](#) [AZM 415-11/11ZPKA 24VAC/DC](#) [AZM 161-B1S](#) [AZ 15/16-B1-2245](#) [AZ 17/170-B11](#) [AZ 17-11ZI B5](#) [BNS 40S-12Z 10,0M](#) [AZ 16-02ZVRK-ST](#) [AZ/AZM 415-B2](#) [AZ/AZM 415-B3](#) [MZM 100-B1.1](#) [A-K8P-M12-S-G-5M-BK-2-X-A-4-69](#) [A-K8P-M12-S-G-10M-BK-2-X-A-4-69](#) [A-K5P-M12-S-G-10M-BK-2-X-A-4-69](#) [A-K4P-M12-S-G-2M-BK-2-X-A-4-69](#) [AZ/AZM201-B30-RTAG1P1-SZ](#) [SK-BETÄTIGER M3](#) [SK-BET.M4](#) [KPL. M.KAP. BETÄTIGER A1 KPL.](#) [SK-A2Z M](#) [SKT-U1Z M3](#)