

LUMOTAST 16 - Emergency stop pushbutton, illuminable, 2 NC, transparent lens, reset by rotation
1.15.213.004/0000



General information

Form of lens	conical mushroom form
Color of lens	red
Form of collar	round

Dimensions

Mushroom Diameter	30 mm
Overall height	22.6 mm
Mounting depth	18.2 mm
Mounting hole	16.2 mm

Mechanical design

NC contact forcibly actuated acc. to IEC 60947-5-1	yes
Mounting	ring nut
Terminals	quick connector 2.8 x 0.5 mm
Torque for nut ring	0.8 - 1.5 Nm
Contact function	latching
Contact materials	Ag
Illuminability	arrows with 2 LED
Reset	by rotation

Mechanical characteristics

Robustness max.	100 N
-----------------	-------

Electrical characteristics

Contact arrangement	2 NC
Rated voltage min.	10 V
Rated voltage max.	35 V
Rated current min.	15 mA
Rated current max.	6000 mA
Rated power max.	250 W

Electrical characteristics of LED

LED operating voltage DC min.	18 V
LED operating voltage max.	28 V
LED operating current min.	8 mA
LED operating current max.	18 mA
LED terminal marking	Anode +, Cathode -

Electrical characteristics acc. to IEC 60947, AC-15, DC-13

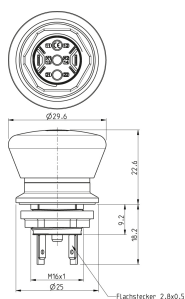
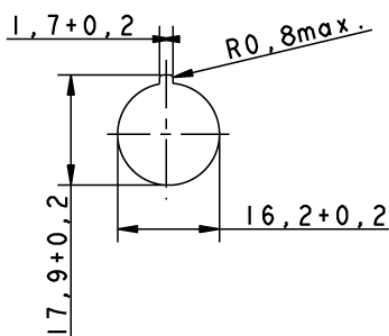
Rated peak voltage	2500 V
--------------------	--------

Rated operating current I_E , AC15 B300	35 V / 5 A
Rated operating current I_e DC-13 Q300	35 V / 2 A

Other specifications

Ambient temp. operating min.	-25 °C
Ambient temp. operating max.	+70 °C
Storage temperature min.	-40 °C
Storage temperature max.	+80 °C
Robustness	acc. to IEC 600 68-2-3 und 2-30
Operating life (operations) / B10	30,000 / 30,000 cycle
Degree of protection from front side	IP65 (DIN EN 60529) / IP67
Environmental resistance	acc. to IEC 60068-2-14, -30, -33 and -78
Salt spray	IEC 600 68-2-11
ROHS compliant	yes
REACH compliant	yes

Panel cut-out



X-ON Electronics

Largest Supplier of Electrical and Electronic Components

Click to view similar products for [Emergency Stop Switches / E-Stop Switches](#) category:

Click to view products by [Rafi](#) manufacturer:

Other Similar products are found below :

[84-6830.0020](#) [AVN302N-R](#) [3050.1302Y](#) [84-6841.2B20](#) [ZA2BV05](#) [951FY000-WO](#) [ER6022-022N](#) [952+2000-00](#) [ES3S51653001](#) [601+0000-OP](#) [E100-A2A22S05A](#) [XCSA802](#) [XCSB502](#) [2TLA030051R0100](#) [D2D 1009M](#) [D2D 1013H](#) [AZM 170SK-02ZRKA 24VAC/DC](#) [84-6820.0020A](#) [84-6820.0040](#) [XY2CH13250H29](#) [XCSDMR590L01M12](#) [XCSTA892](#) [XCSMP80L5](#) [FB1W-HW1B-M220B](#) [FB1W-HW1B-X401R](#) [84-5221.2B20](#) [AZM KEY \(M5\)](#) [AZ 17/170-B15](#) [AZM 161SK-12/12RKA-110/230](#) [AZM 415-11/11ZPK 24VAC/DC](#) [AZM 415-11/11ZPKA 24VAC/DC](#) [AZM 161-B1S](#) [AZ 15/16-B1-2245](#) [AZ 17/170-B11](#) [AZ 17-11ZI B5](#) [BNS 40S-12Z 10,0M](#) [AZ 16-02ZVRK-ST](#) [AZ/AZM 415-B2](#) [AZ/AZM 415-B3](#) [MZM 100-B1.1](#) [A-K8P-M12-S-G-5M-BK-2-X-A-4-69](#) [A-K8P-M12-S-G-10M-BK-2-X-A-4-69](#) [A-K5P-M12-S-G-10M-BK-2-X-A-4-69](#) [A-K4P-M12-S-G-2M-BK-2-X-A-4-69](#) [AZ/AZM201-B30-RTAG1P1-SZ](#) [SK-BETÄTIGER M3](#) [SK-BET.M4](#) [KPL. M.KAP. BETÄTIGER A1 KPL.](#) [SK-A2Z M](#) [SKT-U1Z M3](#)