

**LUMOTAST 16 - Emergency stop pushbutton, active/inactive, 2 NC, silver contacts**  
**1.15.213.054/0000**



#### General information

Form of lens	conical mushroom form
Color of lens	red
Form of collar	round

#### Dimensions

Mushroom Diameter	30 mm
Overall height	22.6 mm
Mounting depth	18.2 mm
Mounting hole	16.2 mm

#### Mechanical design

NC contact forcibly actuated acc. to IEC 60947-5-1	yes
Mounting	ring nut
Terminals	quick connector 2.8 x 0.5 mm
Torque for nut ring	0.8 - 1.5 Nm
Contact function	latching
Contact materials	Ag
Illuminability	Whole Mushroom
Reset	by rotation

#### Mechanical characteristics

Robustness max.	100 N
-----------------	-------

#### Electrical characteristics

Contact arrangement	2 NC
Rated voltage min.	10 V
Rated voltage max.	35 V
Rated current min.	15 mA
Rated current max.	6000 mA
Rated power max.	250 W

#### Electrical characteristics of LED

LED operating voltage DC min.	18 V
LED operating voltage max.	28 V
LED operating current min.	8 mA
LED operating current max.	18 mA
LED terminal marking	Anode +, Cathode -

#### Electrical characteristics acc. to IEC 60947, AC-15, DC-13

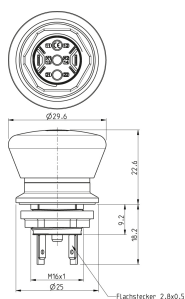
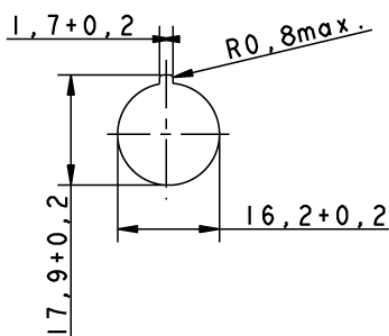
Rated peak voltage	2500 V
--------------------	--------

Rated operating current $I_E$ , AC15 B300	35 V / 5 A
Rated operating current $I_e$ DC-13 Q300	35 V / 2 A

**Other specifications**

Ambient temp. operating min.	-25 °C
Ambient temp. operating max.	+70 °C
Storage temperature min.	-40 °C
Storage temperature max.	+80 °C
Robustness	acc. to IEC 600 68-2-3 und 2-30
Operating life (operations) / B10	30,000 / 30,000 cycle
Degree of protection from front side	IP65 (DIN EN 60529) / IP67
Environmental resistance	acc. to IEC 60068-2-14, -30, -33 and -78
Salt spray	IEC 600 68-2-11
ROHS compliant	yes
REACH compliant	yes

Panel cut-out



## X-ON Electronics

Largest Supplier of Electrical and Electronic Components

*Click to view similar products for [Emergency Stop Switches / E-Stop Switches](#) category:*

*Click to view products by [Rafi](#) manufacturer:*

Other Similar products are found below :

[84-6830.0020](#) [AVN302N-R](#) [3050.1302Y](#) [44-710](#) [84-6841.2B20](#) [ZA2BV05](#) [951FY000-WO](#) [ER6022-022N](#) [952+2000-00](#) [ES3S51653001](#)  
[601+0000-OP](#) [E100-A2A22S05A](#) [XCSEA802](#) [XCSB502](#) [2TLA030051R0100](#) [D2D 1009M](#) [D2D 1013H](#) [AZM 170SK-02ZRKA 24VAC/DC](#)  
[84-6820.0020A](#) [84-6820.0040](#) [XY2CH13250H29](#) [XCSDMR590L01M12](#) [XCSTA892](#) [XCSMP80L5](#) [FB1W-HW1B-M220B](#) [FB1W-HW1B-](#)  
[X401R](#) [84-5221.2B20](#) [AZM KEY \(M5\)](#) [AZ 17/170-B15](#) [AZM 161SK-12/12RKA-110/230](#) [AZM 415-11/11ZPK 24VAC/DC](#) [AZM 415-](#)  
[11/11ZPKA 24VAC/DC](#) [AZM 161-B1S](#) [AZ 15/16-B1-2245](#) [AZ 17/170-B11](#) [AZ 17-11ZI B5](#) [BNS 40S-12Z 10,0M](#) [AZ 16-02ZVRK-ST](#)  
[AZ/AZM 415-B2](#) [AZ/AZM 415-B3](#) [MZM 100-B1.1](#) [A-K8P-M12-S-G-5M-BK-2-X-A-4-69](#) [A-K8P-M12-S-G-10M-BK-2-X-A-4-69](#) [A-K5P-](#)  
[M12-S-G-10M-BK-2-X-A-4-69](#) [A-K4P-M12-S-G-2M-BK-2-X-A-4-69](#) [AZ/AZM201-B30-RTAG1P1-SZ](#) [SK-BETÄTIGER M3](#) [SK-BET.M4](#)  
[KPL. M.KAP.](#) [BETÄTIGER A1 KPL.](#) [SKT-U1Z M3](#)