

**RAFIX 22 FS<sup>+</sup> - Emergency stop contact block, silver contacts, 2 NC**
**1.20.126.604/0000**

**General information**

Lamp optional	THT LED
---------------	---------

**Mechanical design**

Mounting	soldering in PCB
Contact system	bridge-contact self cleaning
Contact materials	Ag
Contact arrangement	2 NC
NC contact forcibly actuated acc. to IEC 60947-5-1	yes
Terminals	THT solder terminals with locating lug

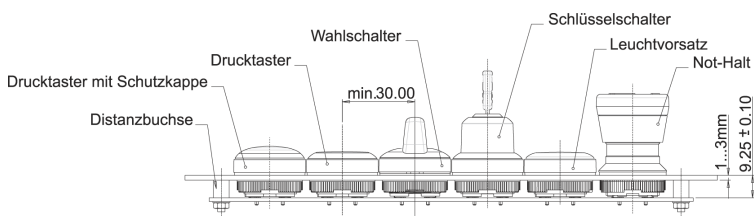
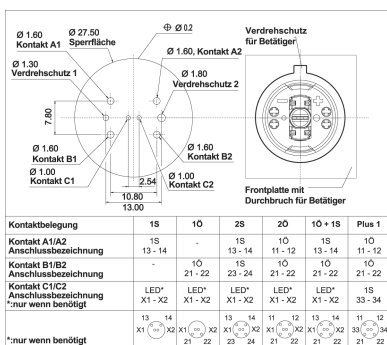
**Electrical characteristics acc. to IEC 60947, AC-15, DC-13**

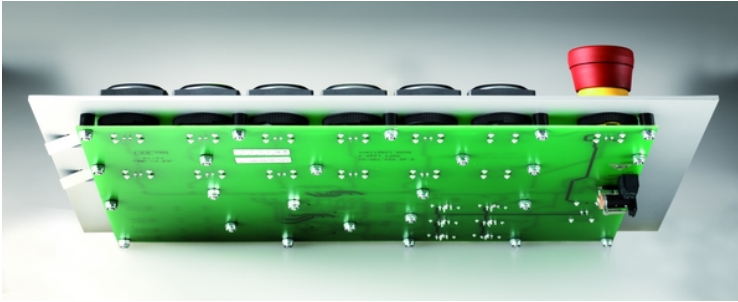
Rated insulation voltage AC / DC	250 V
Rated peak voltage	2500 V
Rated operating current I <sub>E</sub> , AC15 B300	3 A / 120 V; 1.5 A / 240 V; I <sub>the</sub> : 5 A
Rated operating current I <sub>E</sub> , DC13 Q300	550 mA / 120 V; 270 mA / 240 V; I <sub>the</sub> : 2.5 A
Max. fuse protection	microfuse 5 x 20 mm, 6.3 A, inert

**Other specifications**

Operating life at 250V / 1A	1,000,000
B10 at 250V / 1A	1,300,000
Operating life at 250V / 2A	100,000
B10 at 250V / 2A	130,000
Operating life at 250V / 4A	30,000
B10 at 250V / 4A	40,000
Switching reliability at 24V / 5mA DC	10 x 10 <sup>-6</sup>
Ambient temp. operating max.	+85 °C
Ambient temp. operating min.	-40 °C
Storage temperature min.	-40 °C
Storage temperature max.	+85 °C
Color of plunger	red
Robustness	acc. to IEC 60947-5-5 (TÜV)
Shock resistance acc. to IEC 60068-2-27	50 g at 11 ms, amplitude half sinusoidal
Resistance to vibrations acc. to IEC 60068-2-6	5 g at 10 ... 500 Hz
Environmental resistance	acc. to IEC 60068-2-14, -30, -33 and -78
Solderability / solder heat resistance	DIN EN 60068-2-20

Solder techniques	wave solder bath / manual soldering
Hot wire ignition acc. to IEC 60695-2-1	yes
Color of housing	black
ROHS compliant	yes
REACH compliant	yes





## X-ON Electronics

Largest Supplier of Electrical and Electronic Components

*Click to view similar products for [Switch Contact Blocks / Switch Kits](#) category:*

*Click to view products by [RAFI](#) manufacturer:*

Other Similar products are found below :

[61-8770.17](#) [M2SA-7010](#) [704.905.2](#) [704.915.5](#) [A01RTC8](#) [A02504](#) [A02512](#) [A3KJ-7010](#) [BS001](#) [190-17504-003](#) [190-17505-001](#) [190-17508-001](#) [190-17509-002](#) [190-17509-006](#) [A02506](#) [190-17501-001](#) [190-17506-001](#) [190-17509-003](#) [190-17509-005](#) [GLZ304](#) [51401](#) [BS010](#) [BST-D](#)  
[HW-S01](#) [XESP2021](#) [61-8480.22](#) [61-8650.17](#) [704.908.1](#) [704.908.5](#) [704.915.3](#) [HA-C2V](#) [S4](#) [704.918.4](#) [5.00.100.105/0000](#) [84-8511.5320](#)  
[A3CA-7121](#) [704.902.1](#) [A0310Y](#) [51-971.F22](#) [5.05.510.632/0000](#) [190-17502-003](#) [190-17507-002](#) [190-17500-006](#) [190-17510-001](#)  
[1.20.119.002/0000](#) [2MN6-1PA224](#) [Kit05-Keylocks](#) [Kit14-Switch Assortment](#) [Kit25-Value Added](#) [GLZ336](#)