

RAFIX 16 - Toggle switch, square collar, alignable without gaps

1.30.075.041/0104

Only use contact blocks with momentary function.



General information

Form of collar square alignable

Dimensions

Collar dimensions 24.95 x 24.95 mm

Overall height 18.4 mm

Mounting depth 44.7 mm

Mounting hole 16.2 mm

Key grid 25 x 25 mm

Mechanical design

Mounting ring nut

Contact function latching

Contact arrangement according to contact block

Illumination no

Mechanical characteristics

Robustness max. 100 N

Other specifications

Degree of protection from front side IP65 (DIN EN 60529)

Operation temperature min. -25 °C

Ambient temp. operating max. without lamp / LED +70 °C

Ambient temp. operating max. with lamp /LED +55 °C

Storage temperature min. -40 °C

Storage temperature max. +85 °C

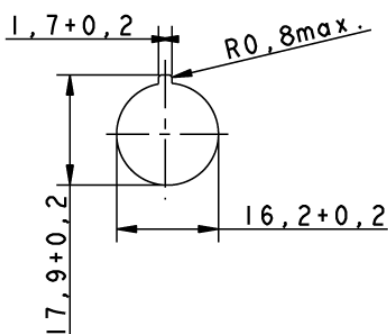
Environmental resistance acc. to IEC 60068-2-14, -30, -33 and -78

Operating life (operations) 300,000

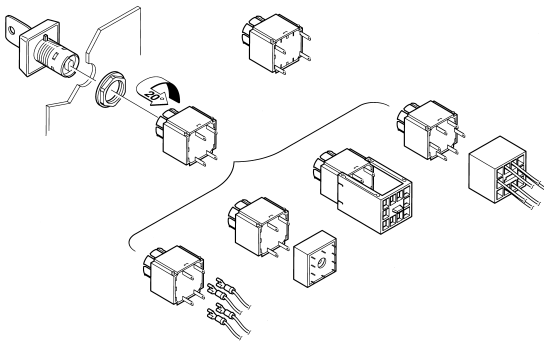
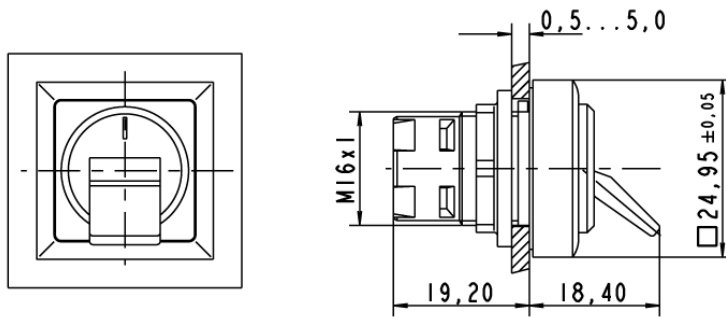
ROHS compliant yes

REACH compliant yes

Panel cut-out



Technical data are approximate and intended solely for general orientation in the selection of a product.
Subject to modifications and errors. Images and other graphics may only be similar.
For more information, refer to www.rafi.de chapter Imprint / Data Protection.



X-ON Electronics

Largest Supplier of Electrical and Electronic Components

Click to view similar products for [Switch Actuators](#) category:

Click to view products by [Rafi](#) manufacturer:

Other Similar products are found below :

[LW1B-A0L](#) [LW1B-M0](#) [680-4000-00](#) [704.012.618](#) [704.096.0](#) [704.411.018I](#) [704.412.0](#) [704.633.1](#) [704.730.1](#) [704.733.0](#) [862.8102](#) [G6083](#)
[9PA24](#) [A0107X](#) [A019307](#) [ADC-418G](#) [12MA7](#) [ASDHHY-B](#) [HW1F-3G](#) [HW1M-L2222](#) [HW4S-31L](#) [200-.704-00](#) [JS-10008](#) [JS-10083](#) [JS-10118](#) [JS-10133](#) [JS-10277](#) [JS-10389](#) [JS-150](#) [JS-552](#) [JS-555](#) [JS-68](#) [JS-6-B](#) [JS-91](#) [JS-94](#) [22-211.011](#) [9001KXSDC](#) [92-458.500](#) [SAPT654133](#)
[2PA3](#) [SW53AA2](#) [302561](#) [LW2L-A0](#) [3E-10.4](#) [468-10243-001](#) [51-030.005](#) [JM-13](#) [JS-10120](#) [JS-138-B](#) [JS-143-B](#)