

RAFIX 16 F - Selector switch, illuminated, latching

1.30.093.601/2000



General information

Actuator	handle
Color of handle marking	translucent white
Form of collar	square
Color of collar	black

Dimensions

Collar dimensions	24.9 x 24.9 mm
Overall height	12.1 mm
Mounting depth with contact block	50 mm
Key grid	30 x 30 mm
Mounting hole	23.1 x 23.1 mm

Mechanical design

Mounting	ring nut
Contact function	latching
Illumination	yes
Rotating angle	1 x 90°, form V

Mechanical characteristics

Torque max.	1.3 Nm
-------------	--------

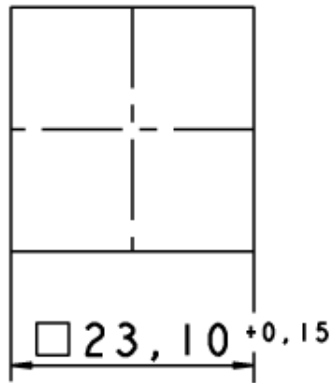
Electrical characteristics

Protection class	-
------------------	---

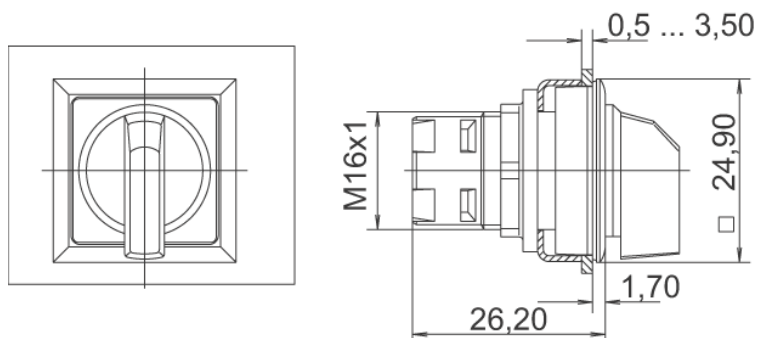
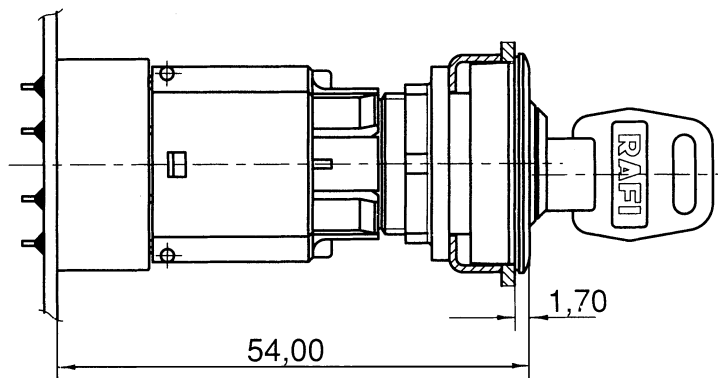
Other specifications

Operating life (operations)	30.000 cycle
Degree of protection from front side	IP65 (DIN EN 60529)
Operation temperature min.	-25 °C
Ambient temp. operating max. without lamp / LED	+70 °C
Ambient temp. operating max. with lamp /LED	+55 °C
Storage temperature min.	-40 °C
Storage temperature max.	+85 °C
Environmental resistance	acc. to IEC 60068-2-14, -30, -33 and -78
ROHS compliant	yes
REACH compliant	yes

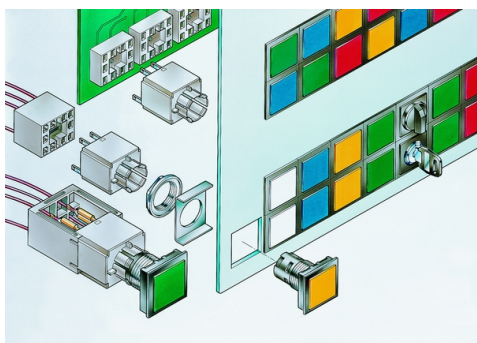
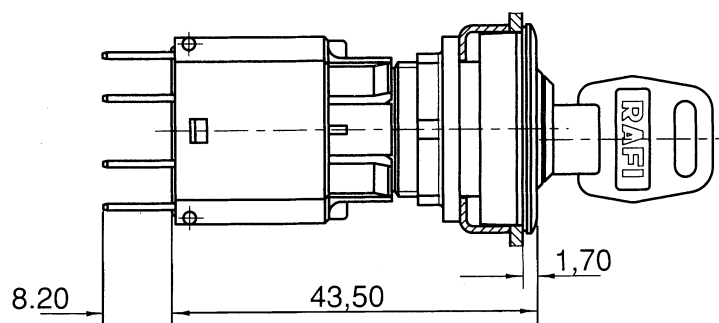
Panel cut-out



with PCB plug-in socket



operating element and contact block



X-ON Electronics

Largest Supplier of Electrical and Electronic Components

Click to view similar products for [Switch Actuators](#) category:

Click to view products by [Rafi](#) manufacturer:

Other Similar products are found below :

[LW1B-A0L](#) [LW1B-M0](#) [680-4000-00](#) [704.012.618](#) [704.096.0](#) [704.411.018I](#) [704.412.0](#) [704.633.1](#) [704.730.1](#) [704.733.0](#) [862.8102](#) [G6083](#)
[9PA24](#) [A0107X](#) [A019307](#) [ADC-418G](#) [12MA7](#) [ASDHHY-B](#) [HW1F-3G](#) [HW1M-L2222](#) [HW4S-31L](#) [200-.704-00](#) [JS-10008](#) [JS-10083](#) [JS-10118](#) [JS-10133](#) [JS-10277](#) [JS-10389](#) [JS-150](#) [JS-552](#) [JS-555](#) [JS-68](#) [JS-6-B](#) [JS-91](#) [JS-94](#) [22-211.011](#) [9001KXSDC](#) [92-458.500](#) [SAPT654133](#)
[2PA3](#) [SW53AA2](#) [302561](#) [LW2L-A0](#) [3E-10.4](#) [468-10243-001](#) [51-030.005](#) [JM-13](#) [JS-10120](#) [JS-138-B](#) [JS-143-B](#)