

RAFIX 22 QR - Selector switch, non-illuminated, round collar, long handle**1.30.242.536/0201**

Included: Ring nut with claw.



Other handle marking colors available on request.

A contact block in position 3 or 5/6 (centre) is actuated when turning in either direction.

General information

Actuator	handle
Marking of handle	white
Color of front ring	black
Form of collar	round

Dimensions

Dimensions of collar	ø 29.8 mm
Overall height	22.2 mm
Mounting depth with contact block without cable	56.4 mm
Mounting hole	ø 22.3 mm
Mounting grid	50 x 30 mm
Diameter of collar	29.8 mm

Mechanical design

Mounting	ring nut
Contact function	momentary
Illumination	no
Rotating angle	2 x 40°

Mechanical characteristics

Operating force max.	approx. 5 N for 1 switching element
Torque max.	2 Nm

Electrical characteristics

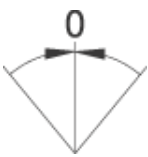
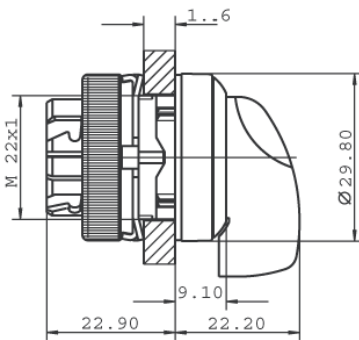
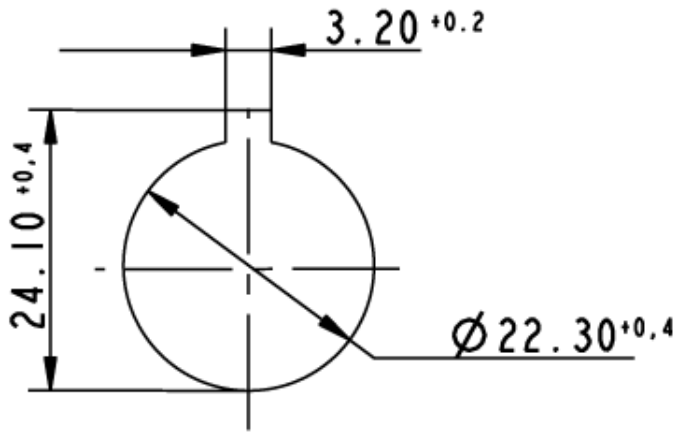
Protection class	II
------------------	----

Other specifications

Operating life (operations)	500,000 cycle
Degree of protection from front side	IP65 (DIN EN 60529)
Ambient temp. operating min.	-25 °C
Ambient temp. operating max.	+70 °C
Storage temperature min.	-40 °C
Storage temperature max.	+80 °C
Environmental resistance	acc. to IEC 60068-2-14, -30, -33 and -78

ROHS compliant	yes
REACH compliant	yes

Panel cut-out to IEC 60947-5-1



X-ON Electronics

Largest Supplier of Electrical and Electronic Components

Click to view similar products for [Switch Actuators](#) category:

Click to view products by [Rafi](#) manufacturer:

Other Similar products are found below :

[LW1B-A0L](#) [LW1B-M0](#) [680-4000-00](#) [704.012.618](#) [704.096.0](#) [704.411.018I](#) [704.412.0](#) [704.633.1](#) [704.730.1](#) [704.733.0](#) [862.8102](#) [G6083](#)
[9PA24](#) [A0107X](#) [A019307](#) [ADC-418G](#) [12MA7](#) [ASDHHY-B](#) [HW1F-3G](#) [HW1M-L2222](#) [HW4S-31L](#) [200-.704-00](#) [JS-10008](#) [JS-10083](#) [JS-10118](#) [JS-10133](#) [JS-10277](#) [JS-10389](#) [JS-150](#) [JS-552](#) [JS-555](#) [JS-68](#) [JS-6-B](#) [JS-91](#) [JS-94](#) [22-211.011](#) [9001KXSDC](#) [92-458.500](#) [SAPT654133](#)
[2PA3](#) [SW53AA2](#) [302561](#) [LW2L-A0](#) [3E-10.4](#) [468-10243-001](#) [51-030.005](#) [JM-13](#) [JS-10120](#) [JS-138-B](#) [JS-143-B](#)