

RAFIX 22 FS⁺ - Pushbutton FLEXLAB, illuminated, round collar, plastic front ring, momentary

1.30.270.901/2203

The RAFIX 22 FS+ FLEXLAB pushbutton allows individual control component labeling. A DIN A4 label sheet with pre-cut labels which fits in all customary office printers is available for this option. After the legend inserts are printed, the labels can be detached from the sheet and inserted into the colored lens using the fine stop tabs.



General information

| | |
|---------------------|-----------|
| Form of lens | flat lens |
| Color of front ring | red |
| Form of collar | round |

Dimensions

| | |
|----------------------|----------------------|
| Dimensions of collar | ø 29.8 mm |
| Overall height | 9.85 mm |
| Mounting depth | PCB 9.2 mm, QC 27 mm |
| Mounting hole | 22.3 mm |
| Key grid | 30 x 30 mm |

Mechanical design

| | |
|---------------------|-----------|
| Mounting | ring nut |
| Contact function | momentary |
| Illuminability | yes |
| Torque for nut ring | 1.2 Nm |

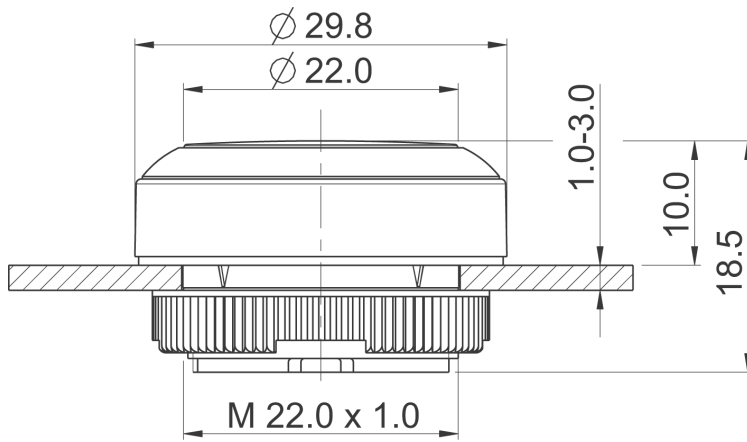
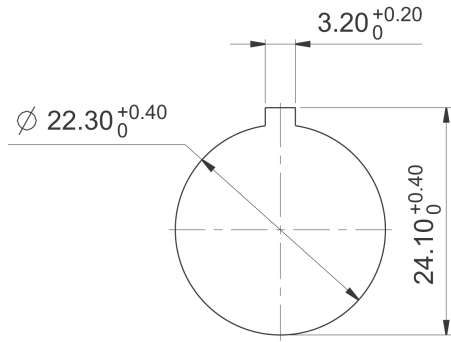
Mechanical characteristics

| | |
|------------------|-------|
| Operating travel | 4 mm |
| Robustness max. | 100 N |

Other specifications

| | |
|--------------------------------------|--|
| Ambient temp. operating min. | -25 °C |
| Ambient temp. operating max. | +70 °C |
| Storage temperature min. | -40 °C |
| Storage temperature max. | +80 °C |
| Operating life | 1,000,000 momentary / 500,000 latching cycle |
| B10 | 1,300,000 momentary / 650,000 latching cycle |
| Degree of protection from front side | IP65 (DIN EN 60529) |
| Environmental resistance | acc. to IEC 60068-2-14, -30, -33 and -78 |
| Salt spray | IEC 600 68-2-11 |
| ROHS compliant | yes |
| REACH compliant | yes |

Panel cut-out to IEC 60947-5-1



X-ON Electronics

Largest Supplier of Electrical and Electronic Components

Click to view similar products for [Switch Actuators](#) category:

Click to view products by [RAFI](#) manufacturer:

Other Similar products are found below :

[LW1B-A0L](#) [LW1B-M0](#) [680-4000-00](#) [704.012.618](#) [704.096.0](#) [704.411.018I](#) [704.412.0](#) [704.633.1](#) [704.730.1](#) [704.733.0](#) [862.8102](#) [G6083](#)
[9PA24](#) [A0107X](#) [A019307](#) [ADC-418G](#) [12MA7](#) [ASDHYY-B](#) [HW1F-3G](#) [HW1M-L2222](#) [HW4S-31L](#) [200-.704-00](#) [JS-10008](#) [JS-10083](#) [JS-10118](#) [JS-10133](#) [JS-10277](#) [JS-10389](#) [JS-150](#) [JS-552](#) [JS-555](#) [JS-68](#) [JS-6-B](#) [JS-91](#) [JS-94](#) [22-211.011](#) [9001KXSDC](#) [92-458.500](#) [SAPT654133](#)
[2PA3](#) [SW53AA2](#) [302561](#) [LW2L-A0](#) [3E-10.4](#) [468-10243-001](#) [51-030.005](#) [JM-13](#) [JS-10120](#) [JS-138-B](#) [JS-143-B](#)