

## RAFIX 22 FS<sup>+</sup> - Pushbutton FLEXLAB, illuminated, round collar, metal front ring, momentary

### 1.30.270.921/2200

The RAFIX 22 FS+ FLEXLAB pushbutton allows individual control component labeling. A DIN A4 label sheet with pre-cut labels which fits in all customary office printers is available for this option. After the legend inserts are printed, the labels can be detached from the sheet and inserted into the colored lens using the fine stop tabs.



#### General information

Form of lens	flat lens
Color of front ring	silver metallic
Form of collar	round

#### Dimensions

Dimensions of collar	ø 29.8 mm
Overall height	9.85 mm
Mounting depth	PCB 9.2 mm, QC 27 mm
Mounting hole	22.3 mm
Key grid	30 x 30 mm

#### Mechanical design

Mounting	ring nut
Contact function	momentary
Illuminability	yes
Torque for nut ring	1.2 Nm

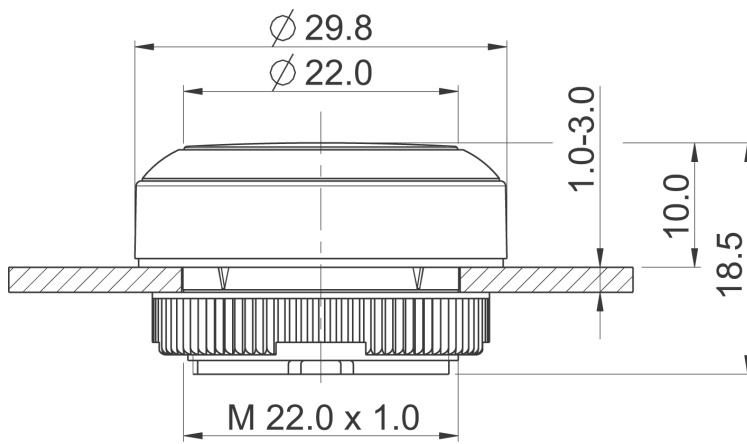
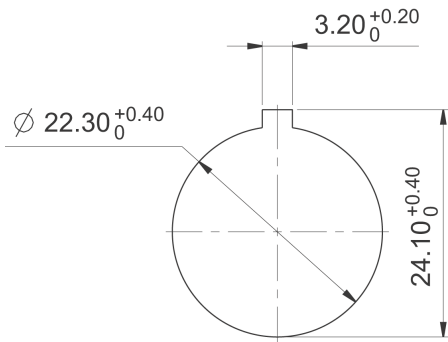
#### Mechanical characteristics

Operating travel	4 mm
Robustness max.	100 N

#### Other specifications

Ambient temp. operating min.	-25 °C
Ambient temp. operating max.	+70 °C
Storage temperature min.	-40 °C
Storage temperature max.	+80 °C
Operating life	1,000,000 momentary / 500,000 latching cycle
B10	1,300,000 momentary / 650,000 latching cycle
Degree of protection from front side	IP65 (DIN EN 60529)
Environmental resistance	acc. to IEC 60068-2-14, -30, -33 and -78
Salt spray	IEC 600 68-2-11
ROHS compliant	yes
REACH compliant	yes

## Panel cut-out to IEC 60947-5-1



## X-ON Electronics

Largest Supplier of Electrical and Electronic Components

*Click to view similar products for [Switch Actuators](#) category:*

*Click to view products by [RAFI](#) manufacturer:*

Other Similar products are found below :

[LW1B-A0L](#) [LW1B-M0](#) [680-4000-00](#) [704.012.618](#) [704.096.0](#) [704.411.018I](#) [704.412.0](#) [704.633.1](#) [704.730.1](#) [704.733.0](#) [84-1221.7](#) [862.8102](#)  
[G6083](#) [9PA24](#) [A0107X](#) [A019307](#) [ADC-418G](#) [12MA7](#) [ASDHHY-B](#) [HW1F-3G](#) [HW1M-L2222](#) [HW4S-31L](#) [200-.704-00](#) [JS-10008](#) [JS-](#)  
[10083](#) [JS-10118](#) [JS-10133](#) [JS-10277](#) [JS-10389](#) [JS-150](#) [JS-552](#) [JS-555](#) [JS-68](#) [JS-6-B](#) [JS-91](#) [JS-94](#) [22-211.011](#) [9001KXSDC](#) [92-458.500](#)  
[SAPT654133](#) [2PA3](#) [SW53AA2](#) [302561](#) [LW2L-A0](#) [3E-10.4](#) [468-10243-001](#) [51-030.005](#) [JM-13](#) [JS-10120](#) [JS-138-B](#)