

RAFIX 22 FS⁺ - Emergency stop pushbutton „Plus 1“, reset by pulling

1.30.273.602/0300

Emergency stop pushbutton with 2 NC and 1 signal contact.

This special emergency stop pushbutton offers two redundant normally-closed contacts for the emergency off / emergency stop function and an additional signal contact



2 normally-closed (NC) contacts

Redundancy is more and more often a requirement for safety applications in mechanical engineering and control system development and helps to minimise the probability of failure of a system.

1 signal contact

The third contact - a normally-open contact - may be used, for example, for sending an information signal to a monitoring unit or master safety controller. The safety controller may then initiate a controlled shutdown, depending on the location and type of the hazard indicated.

The signal contact is only for impulse function and must not be used as a lasting NO contact.

General information

Form of lens	conical mushroom form
Color of lens	red
Form of collar	round
Color of arrow	-

Dimensions

Mushroom Diameter	30 mm
Overall height	33.2 mm
Mounting depth	PCB 9.2 mm, QC 27 mm
Mounting hole	22.3 mm
Diameter of collar	29.8 mm

Mechanical design

Mounting	ring nut
Contact function	latching
Illuminability	no
Reset	by pulling
Torque for nut ring	1.2 Nm

Mechanical characteristics

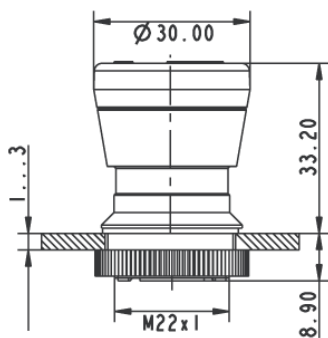
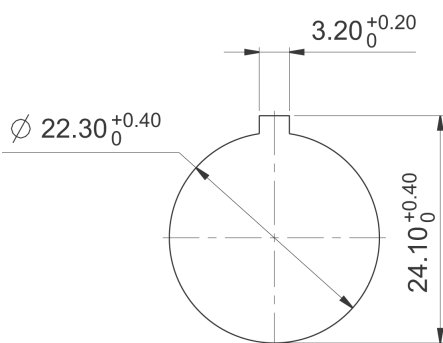
Robustness max.	100 N
-----------------	-------

Other specifications

Ambient temp. operating min.	-25
------------------------------	-----

Ambient temp. operating max.	+70
Robustness	acc. to IEC 600 68-2-3 und 2-30
Storage temperature min.	-40
Storage temperature max.	+80
Operating life	50,000
B10	65,000
Degree of protection from front side	IP65 (DIN EN 60529); IP69K (ISO 20653)
Environmental resistance	acc. to IEC 60068-2-14, -30, -33 and -78
Salt spray	IEC 600 68-2-11
ROHS compliant	yes
REACH compliant	yes

Panel cut-out to IEC 60947-5-1



X-ON Electronics

Largest Supplier of Electrical and Electronic Components

Click to view similar products for [Emergency Stop Switches / E-Stop Switches](#) category:

Click to view products by [Rafi](#) manufacturer:

Other Similar products are found below :

[84-6830.0020](#) [AVN302N-R](#) [3050.1302Y](#) [44-710](#) [84-6841.2B20](#) [ZA2BV05](#) [951FY000-WO](#) [ER6022-022N](#) [952+2000-00](#) [ES3S51653001](#)
[601+0000-OP](#) [E100-A2A22S05A](#) [XCSEA802](#) [XCSB502](#) [2TLA030051R0100](#) [D2D 1009M](#) [D2D 1013H](#) [AZM 170SK-02ZRKA 24VAC/DC](#)
[84-6820.0020A](#) [84-6820.0040](#) [XY2CH13250H29](#) [XCSDMR590L01M12](#) [XCSTA892](#) [XCSMP80L5](#) [FB1W-HW1B-M220B](#) [FB1W-HW1B-](#)
[X401R](#) [84-5221.2B20](#) [AZM KEY \(M5\)](#) [AZ 17/170-B15](#) [AZM 161SK-12/12RKA-110/230](#) [AZM 415-11/11ZPK 24VAC/DC](#) [AZM 415-](#)
[11/11ZPKA 24VAC/DC](#) [AZM 161-B1S](#) [AZ 15/16-B1-2245](#) [AZ 17/170-B11](#) [AZ 17-11ZI B5](#) [BNS 40S-12Z 10,0M](#) [AZ 16-02ZVRK-ST](#)
[AZ/AZM 415-B2](#) [AZ/AZM 415-B3](#) [MZM 100-B1.1](#) [A-K8P-M12-S-G-5M-BK-2-X-A-4-69](#) [A-K8P-M12-S-G-10M-BK-2-X-A-4-69](#) [A-K5P-](#)
[M12-S-G-10M-BK-2-X-A-4-69](#) [A-K4P-M12-S-G-2M-BK-2-X-A-4-69](#) [AZ/AZM201-B30-RTAG1P1-SZ](#) [SK-BETÄTIGER M3](#) [SK-BET.M4](#)
[KPL. M.KAP. BETÄTIGER A1 KPL. SKT-U1Z M3](#)