

**RAFIX 22 FS<sup>+</sup> - Mushroom-headed pushbutton, latching, non-illuminated****1.30.276.601/0000****General information**

Form of lens	conical mushroom form
Color of lens	black
Form of collar	round

**Dimensions**

Mushroom Diameter	30 mm
Overall height	33.2 mm
Mounting depth	PCB 9.2 mm, QC 27 mm
Mounting hole	22.3 mm
Diameter of collar	29.8 mm

**Mechanical design**

Mounting	ring nut
Contact function	latching
Illuminability	no
Reset	by pulling
Torque for nut ring	1.2 Nm

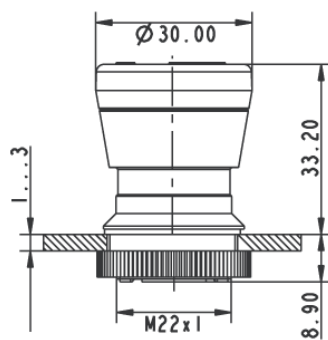
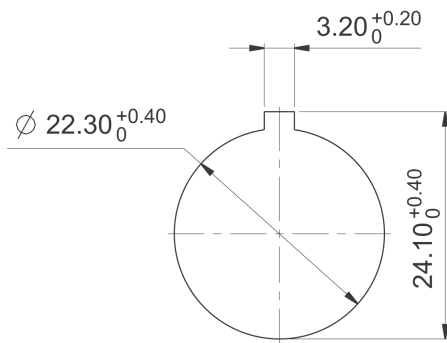
**Mechanical characteristics**

Robustness max.	100 N
-----------------	-------

**Other specifications**

Ambient temp. operating min.	-25 °C
Ambient temp. operating max.	+70 °C
Storage temperature min.	-40 °C
Storage temperature max.	+80 °C
Operating life	50,000 cycle
B10	65,000 cycle
Degree of protection from front side	IP65 (DIN EN 60529)
Environmental resistance	acc. to IEC 60068-2-14, -30, -33 and -78
Salt spray	IEC 600 68-2-11
Robustness	acc. to IEC 600 68-2-3 und 2-30
ROHS compliant	yes
REACH compliant	yes

## Panel cut-out to IEC 60947-5-1



## X-ON Electronics

Largest Supplier of Electrical and Electronic Components

*Click to view similar products for [Switch Actuators](#) category:*

*Click to view products by [RAFI](#) manufacturer:*

Other Similar products are found below :

[LW1B-A0L](#) [LW1B-M0](#) [680-4000-00](#) [704.012.618](#) [704.096.0](#) [704.411.018I](#) [704.412.0](#) [704.633.1](#) [704.730.1](#) [704.733.0](#) [862.8102](#) [G6083](#)  
[9PA24](#) [A0107X](#) [A019307](#) [ADC-418G](#) [12MA7](#) [ASDHYY-B](#) [HW1F-3G](#) [HW1M-L2222](#) [HW4S-31L](#) [200-.704-00](#) [JS-10008](#) [JS-10083](#) [JS-10118](#) [JS-10133](#) [JS-10277](#) [JS-10389](#) [JS-150](#) [JS-552](#) [JS-555](#) [JS-68](#) [JS-6-B](#) [JS-91](#) [JS-94](#) [22-211.011](#) [9001KXSDC](#) [92-458.500](#) [SAPT654133](#)  
[2PA3](#) [SW53AA2](#) [302561](#) [LW2L-A0](#) [3E-10.4](#) [468-10243-001](#) [51-030.005](#) [JM-13](#) [JS-10120](#) [JS-138-B](#) [JS-143-B](#)