

**RAFIX 30 FS<sup>+</sup> - Keylock switch, latching, Rotating angle 1 x 90°, L shape**  
**1.30.295.222/0000**



#### General information

|                |                 |
|----------------|-----------------|
| Front ring     | stainless steel |
| Form of collar | round           |

#### Dimensions

|                      |                 |
|----------------------|-----------------|
| Dimensions of collar | ø 34.5 mm       |
| Overall height       | 38.70 mm        |
| Mounting hole        | 30.3 mm         |
| Key grid             | min. 35 x 35 mm |

#### Mechanical design

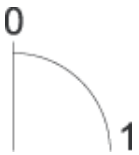
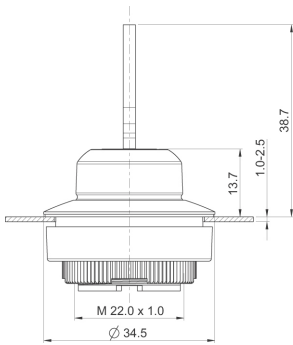
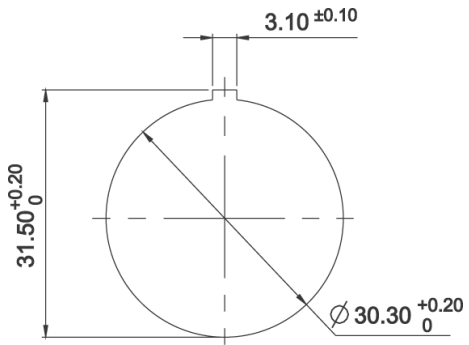
|                      |                         |
|----------------------|-------------------------|
| Mounting             | threaded ring + adapter |
| Contact function     | latching                |
| Illuminability       | no                      |
| Wafers               | 5                       |
| Lock type            | 001                     |
| Main key             | on request              |
| Rotating angle       | 1 x 90°, L shape        |
| Key removal position | 0+1                     |
| Torque for nut ring  | 1.2 Nm                  |

#### Mechanical characteristics

|             |        |
|-------------|--------|
| Torque max. | 1.3 Nm |
|-------------|--------|

#### Other specifications

|                                      |   |
|--------------------------------------|---|
| Ambient temp. operating min.         | -25 °C  |
| Ambient temp. operating max.         | +70 °C  |
| Operating life                       | 300,000 momentary / 50,000 latching / 30,000 with key removal cycle |
| B10                                  | 400.000 tastend / 65.000 rastend / 40.000 mit Schl??sselabzug cycle |
| Degree of protection from front side | IP65 (DIN EN 60529)   |
| Storage temperature min.             | -40 °C  |
| Storage temperature max.             | +80 °C  |
| Environmental resistance             | acc. to IEC 60068-2-14, -30, -33 and -78                            |
| ESD-strength lock / contact          | 15 kV   |
| ESD-strength key / front panel       | 15 kV   |
| Salt spray                           | IEC 600 68-2-11   |
| ROHS compliant                       | yes   |
| REACH compliant                      | yes   |



## X-ON Electronics

Largest Supplier of Electrical and Electronic Components

*Click to view similar products for [Switch Actuators](#) category:*

*Click to view products by [Rafi](#) manufacturer:*

Other Similar products are found below :

[LW1B-A0L](#) [LW1B-M0](#) [680-4000-00](#) [704.012.618](#) [704.096.0](#) [704.411.018I](#) [704.412.0](#) [704.633.1](#) [704.730.1](#) [704.733.0](#) [862.8102](#) [G6083](#)  
[9PA24](#) [A0107X](#) [A019307](#) [ADC-418G](#) [12MA7](#) [ASDHHY-B](#) [HW1F-3G](#) [HW1M-L2222](#) [HW4S-31L](#) [200-.704-00](#) [JS-10008](#) [JS-10083](#) [JS-10118](#) [JS-10133](#) [JS-10277](#) [JS-10389](#) [JS-150](#) [JS-552](#) [JS-555](#) [JS-68](#) [JS-6-B](#) [JS-91](#) [JS-94](#) [22-211.011](#) [9001KXSDC](#) [92-458.500](#) [SAPT654133](#)  
[2PA3](#) [SW53AA2](#) [302561](#) [LW2L-A0](#) [3E-10.4](#) [468-10243-001](#) [51-030.005](#) [JM-13](#) [JS-10120](#) [JS-138-B](#) [JS-143-B](#)