

RAFIX 30 FS⁺ - Keylock switch, latching, Rotating angle 1 x 90°, V shape
1.30.295.322/0000



General information

| | |
|----------------|-----------------|
| Front ring | stainless steel |
| Form of collar | round |

Dimensions

| | |
|----------------------|-----------------|
| Dimensions of collar | ø 34.5 mm |
| Overall height | 38.70 mm |
| Mounting hole | 30.3 mm |
| Key grid | min. 35 x 35 mm |

Mechanical design

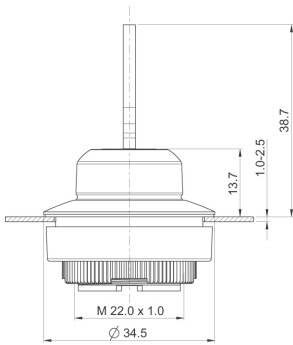
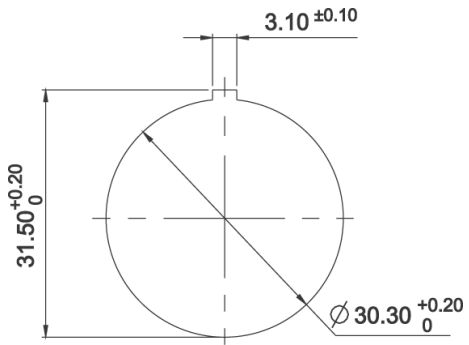
| | |
|----------------------|-------------------------|
| Mounting | threaded ring + adapter |
| Contact function | latching |
| Illuminability | no |
| Wafers | 5 |
| Lock type | 001 |
| Main key | on request |
| Rotating angle | 1 x 90°, V shape |
| Key removal position | 0+1 |
| Torque for nut ring | 1.2 Nm |

Mechanical characteristics

| | |
|-------------|--------|
| Torque max. | 1.3 Nm |
|-------------|--------|

Other specifications

| | |
|--------------------------------------|---|
| Ambient temp. operating min. | -25 °C |
| Ambient temp. operating max. | +70 °C |
| Operating life | 300,000 momentary / 50,000 latching / 30,000 with key removal cycle |
| B10 | 400.000 tastend / 65.000 rastend / 40.000 mit Schlüsselabzug cycle |
| Degree of protection from front side | IP65 (DIN EN 60529) |
| Storage temperature min. | -40 °C |
| Storage temperature max. | +80 °C |
| Environmental resistance | acc. to IEC 60068-2-14, -30, -33 and -78 |
| ESD-strength lock / contact | 15 kV |
| ESD-strength key / front panel | 15 kV |
| Salt spray | IEC 600 68-2-11 |
| ROHS compliant | yes |
| REACH compliant | yes |



X-ON Electronics

Largest Supplier of Electrical and Electronic Components

Click to view similar products for [Switch Actuators](#) category:

Click to view products by [Rafi](#) manufacturer:

Other Similar products are found below :

[LW1B-A0L](#) [LW1B-M0](#) [680-4000-00](#) [704.012.618](#) [704.096.0](#) [704.411.018I](#) [704.412.0](#) [704.633.1](#) [704.730.1](#) [704.733.0](#) [862.8102](#) [G6083](#)
[9PA24](#) [A0107X](#) [A019307](#) [ADC-418G](#) [12MA7](#) [ASDHYY-B](#) [HW1F-3G](#) [HW1M-L2222](#) [HW4S-31L](#) [200-.704-00](#) [JS-10008](#) [JS-10083](#) [JS-10118](#) [JS-10133](#) [JS-10277](#) [JS-10389](#) [JS-150](#) [JS-552](#) [JS-555](#) [JS-68](#) [JS-6-B](#) [JS-91](#) [JS-94](#) [22-211.011](#) [9001KXSDC](#) [92-458.500](#) [SAPT654133](#)
[2PA3](#) [SW53AA2](#) [302561](#) [LW2L-A0](#) [3E-10.4](#) [468-10243-001](#) [51-030.005](#) [JM-13](#) [JS-10120](#) [JS-138-B](#) [JS-143-B](#)