

Signal lamps with integrated LED - 7.0 mm, round protruding lens**1.69.511.102/1300****General information**

Form of lens	round protruding
Color of lens	transparent red
Diameter of collar	8.5 mm

Dimensions

Overall height	5 mm
Mounting depth	27.5 mm
Mounting hole	7.0 mm

Mechanical design

Mounting	pressing into hole
Terminals	solder terminals
Lamp socket	no
Lamp	LED red

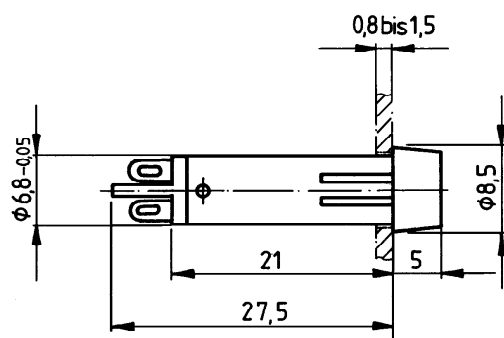
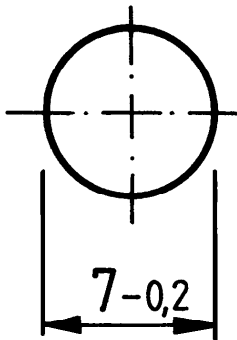
Electrical characteristics

Operating voltage U_B	24 - 28 V
Forward voltage U_F at 25 °C	at 20 mA forward current 2.4 V
Reverse current I_R at 25 °C	3 V
Forward current, I_F	max. 20 mA
Reverse current I_R at 25 °C	100 μ A
Power dissipation P_{tot} at 25 °C	max. 120 mW
Light intensity	200

Other specifications

Degree of protection from front side	IP40 (DIN EN 60529)
ROHS compliant	yes
REACH compliant	yes

Mounting hole



X-ON Electronics

Largest Supplier of Electrical and Electronic Components

Click to view similar products for [LED Panel Mount Indicators](#) category:

Click to view products by [RAFI](#) manufacturer:

Other Similar products are found below :

[607-3232-140F](#) [821-0331-503](#) [FL2870C8R](#) [FL2950WL7B](#) [FL2950WL8G](#) [FL589WL8R](#) [FL67C8R](#) [H8630FBBA3](#) [NL177WL2A](#)
[NL177WL3G](#) [NL276C2A](#) [NL2950BWL3G](#) [NL589WL2R](#) [NL67C2C](#) [NL67C3R](#) [C480AABG3](#) [PB22BM41K](#) [PB22SIM40Y](#)
[PB22SKRS31KC](#) [L32R-R2-2311](#) [L3353-MWRG](#) [L39UR-R24-2111](#) [L58D-G2-W](#) [L58D-Y2-W](#) [L59D-R12-W](#) [L59UD-R12-W](#) [L625DG](#)
[L625DR](#) [LE177WL39007](#) [LE2821H5G](#) [LH1048BSWL3702](#) [LH1048BWL3702](#) [LH382A](#) [LH677G](#) [LHM628A](#) [FL276WL7R](#)
[FL2950BWL7R](#) [FL2950WL7R](#) [FL2950WL8R](#) [FL2950WL8R-12](#) [FL2951WL8G](#) [FL2951WL8R](#) [FL589C7R](#) [FL67WL8G](#) [MPC5BCW18.0](#)
[556-1605-808F](#) [556-1705-809F](#) [556-3008-839F](#) [558-0201-818F](#) [559-0001-813F](#)