

RF 19 - Tactile switch, fully illuminated with 2 LED, silver contacts**3.14.002.023/0000****General information**

| | |
|----------------------|--------|
| Color of lens | yellow |
| Recommended key grid | 23 mm |

Dimensions

| | |
|----------------|----------|
| Length | 19.05 mm |
| Width | 19.05 mm |
| Overall height | 9.7 mm |

Mechanical design

| | |
|---------------------|-------------------------|
| Mounting | soldering in PCB |
| Terminals | THT |
| Contact system | snap-action contact |
| Contact arrangement | 1 NO |
| Contact materials | Ag |
| Illumination | fully illuminated 2 LED |
| LED color | yellow |
| LED type | 2 mm |

Mechanical characteristics

| | |
|----------------------|-------------------------------|
| Operating force max. | 2.9 ^{+0.6} N |
| Switching travel | 0.5 ^{+0.2} mm |
| Robustness max. | with through-plated PCB 100 N |

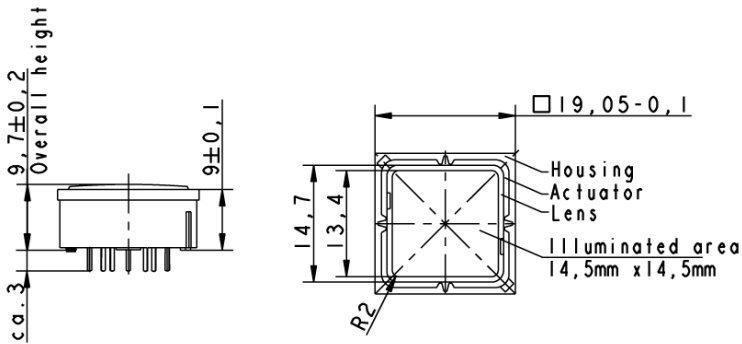
Electrical characteristics

| | |
|----------------------------------|-------------------------|
| Rated voltage min. | Au: 0.02 V, Ag: 3 V |
| Rated voltage max. | 35 V |
| Rated current min. | Au: 0.01 mA, Ag: 0.1 mA |
| Rated current max. | Au: 100 mA, Ag: 250 mA |
| Rated power max. (ohmic load) | Au: 2 W, Ag: 12.5 W |
| Contact resistance when new max. | 100 mΩ |
| Insulation resistance | 10 ⁹ Ω |

Other specifications

| | |
|--|--|
| Ambient temp. operating min. | -25 °C |
| Ambient temp. operating max. | +70 °C |
| Environmental resistance | acc. to IEC 60068-2-14, -30, -33 and -78 |
| Operating life min. (operations) | 1,000,000 cycle |
| Solderability / solder heat resistance | according to DIN EN 60068-2-20 |
| Wave soldering | 260 °C max. |
| Manual soldering | 350 °C / 5 sec. max. |

| | |
|-----------------|-----|
| ROHS compliant | yes |
| REACH compliant | yes |



Lens yellow



X-ON Electronics

Largest Supplier of Electrical and Electronic Components

Click to view similar products for [Tactile Switches](#) category:

Click to view products by [Rafi](#) manufacturer:

Other Similar products are found below :

[6407-250V-25273P](#) [ADTSA62NV](#) [B3F-3123](#) [1977177-8](#) [1977266-1](#) [ADTSA63NV](#) [ADTSM21NSVTR](#) [ADTSM25RVTR](#) [ADTSM32NVTR](#)
[ADTSMW64RV](#) [1977120-6](#) [FSMRA4JHA04](#) [GS4.70F300QP](#) [KSC241J SP DELTA LFS](#) [3FTL600RAS](#) [3FTL640RAS](#) [Y96K132V0FPLFS](#)
[09158](#) [6407-250V-25343P](#) [ADTSM31NVTR](#) [2-1977120-7](#) [TSJW-5.2-260-TR](#) [TME1-01-Z](#) [Y651050400P](#) [KMT011MNGJLHS](#)
[ADTSG648NV](#) [ADTSM62KSVTR](#) [MJTP1138DTR](#) [ADTSM648NV](#) [95C06E3RAT](#) [3ATH9Q](#) [FSMRA8JHA04](#) [HARS0073](#)
[Y33R411N9FPLFT](#) [Y33R51139FPLFT](#) [Y31C01402FPLFS](#) [PTS645SK50SMTR92](#) [ADTSM32NVB](#) [KMS233GPWTFLG](#) [Y78B64124FP](#)
[Y33A812C5FP LFT](#) [Y56B2D120FP LFS](#) [PTS645 DVM83-BN125-2 LFS](#) [B3W 1000G](#) [B3F 1002C](#) [B3F 0047H](#) [B3W 1002C](#) [B3F 5001G](#)
[B3W 1100C](#) [1-1571563-4](#)