

- **FEATURES**
 - ULTRA SMALL PACKAGE
 - EXCELLENT FOR HIGH DENSITY PACKAGING
 - SUITABLE FOR REFLOW SOLDERING

SERIES CO43 AND 46

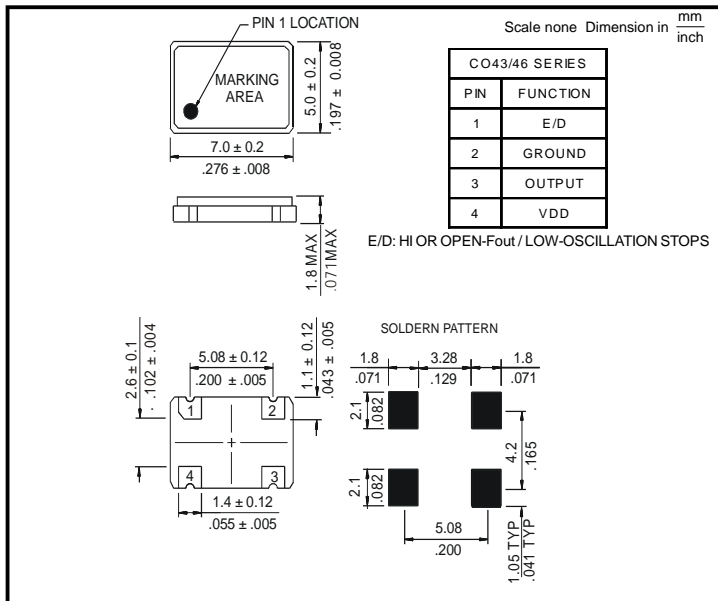
- **SPECIFICATIONS**

SERIES		CO43	CO46
PARAMETER			
FREQUENCY RANGE		1.000 MHz TO 50.000 MHz	50.000 MHz TO 156.250 MHz
FREQUENCY STABILITY †		± 100 PPM ± 50 PPM ± 25 PPM * ± 20 PPM *	
TEMPERATURE RANGE	OPERATING	-10°C TO +70°C	
	EXTENDED	-40°C TO +85°C	
	STORAGE	-55°C TO +125°C	
INPUT	VOLTAGE	+3.3 VDC $\pm 10\%$	
	CURRENT, MAX	25 mA MAX	45 mA MAX
OUTPUT	LOAD	5 TTL MAX OR 20 pF CMOS	5 TTL MAX OR 15 pF CMOS
	SYMMETRY	NORMAL: 40% TO 60% TIGHT: 45% TO 55%	
	LEVEL	LOGIC "0": 0.4 VDC MAX LOGIC "1": 2.8 VDC MIN	LOGIC "0": 0.5 VDC MAX LOGIC "1": 2.8 VDC MIN
	RISE/FALL TIME (20% to 80%)	1.00 MHz TO 10.00 MHz: 5 ns 10.10 MHz TO 30.00 MHz: 4 ns 30.10 MHz TO 50.00 MHz: 3 ns 50.10 MHz TO 80.00 MHz: 2.5 ns 80.10 MHz TO 156.250 MHz: 2 ns	
	JITTER	1.0 ps RMS (1σ), 12kHz < Fj < 20MHz	
ENABLE/DISABLE FUNCTION		PIN 1: HIGH (+2.2 VDC MIN) PIN 3: ENABLED PIN 1: LOW (+0.8 VDC MAX) PIN 3: DISABLED (HIGH IMPEDANCE)	

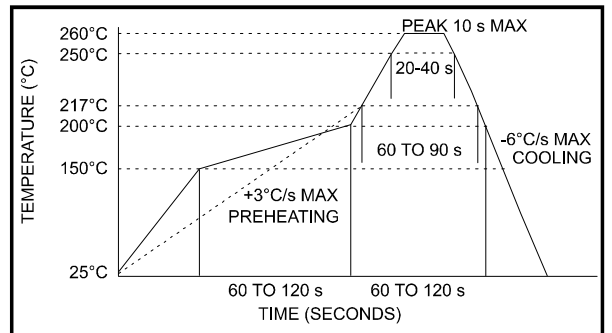


† INCLUSIVE OF 25°C TOLERANCE, OPERATING TEMPERATURE RANGE, VOLTAGE OR LOAD CHANGES, AGING, SHOCK AND VIBRATION
 * STABILITY OVER TEMPERATURE ONLY AT -40°C TO +85°C

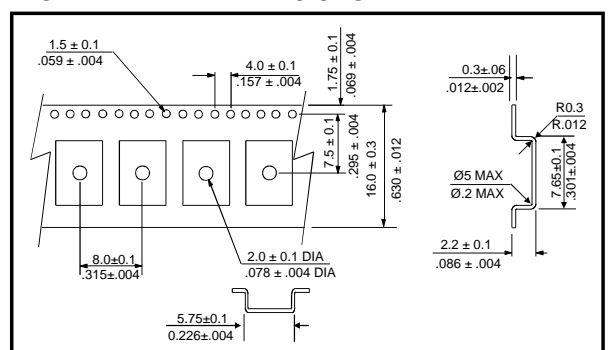
- **OUTLINE DRAWING**



- **REFLOW SOLDERING PROFILE**



- **CARRIER TAPE DIMENSIONS**



- **PACKAGING**

254 mm REEL DIAMETER, 16mm TAPE WIDTH, 8mm PITCH
 QUANTITY: 1000 PIECES PER REEL

- **PART NUMBERING SYSTEM**

SERIES	FREQUENCY STABILITY	FREQUENCY	EXTENDED TEMPERATURE	TIGHT SYMMETRY	TAPE AND REEL	
CO43	10 05 025 02	±100 PPM ±50 PPM ±25 PPM ±20 PPM	IN MHz	EXT EXTENDED (-40°C TO +85°C)	T TIGHT SYMMETRY (45-55%)	TR

EXAMPLE: CO4305-32.000-TR, CO4610-50.000-T-TR

X-ON Electronics

Largest Supplier of Electrical and Electronic Components

Click to view similar products for [Raltron](#) manufacturer:

Other Similar products are found below :

[21U15A-21.4MHZ](#) [A-10.000-18](#) [A-11.000MHZ-27](#) [A-11.0592-20-3RD](#) [A-12.000-18](#) [A-14.31818-18](#) [A-14.31818-S](#) [A-14.7456-18-EXT](#) [A-16.000-18](#) [A-17.734475-20](#) [A-18.432-14-2050-NS1](#) [A-1.8432-18](#) [A-20.000-18](#) [A-20.000-18-EXT-T](#) [A-2.000-18](#) [A-2.048-20](#) [A-24.000-18](#) [A-2.4576-18](#) [A-3.579545-18](#) [A-4.000-18](#) [A-4.000-20-3RD](#) [A-4.433619-20](#) [A-4.9152MHZ-22](#) [A-4.9152-S](#) [A-6.000-18-3RD](#) [A-7.3728-18](#) [A-8.000-18](#) [AS-10.000-32-EXT-SMD-TR](#) [AS-11.0592-18](#) [AS-11.0592-18-SMD-TR](#) [AS-12.000-18](#) [AS-12.000-18-SMD](#) [AS-12.000-32-EXT-SMD-TR](#) [AS-12.352-20](#) [AS-14.31818-18](#) [AS-14.31818-18-SMD](#) [AS-14.31818-18-SMD-TR](#) [AS-14.31818-20-SMD-TR](#) [AS-14.7456-16-SMD-T](#) [AS-14.7456-20-SMD-TR](#) [AS-16.000-18](#) [AS-16.000-20](#) [AS-16.000-20-SMD-TR](#) [AS-16.000-32-SMD-TR](#) [AS-18.43-18-SMD](#) [AS-18.432-10-EXT-SMD-TR](#) [AS-18.432-18-EXT-SMD-TR](#) [AS-20.000-18-EXT-SMD-TR](#) [AS-20.000-18-FUND](#) [AS-20.000-18SMDT](#)