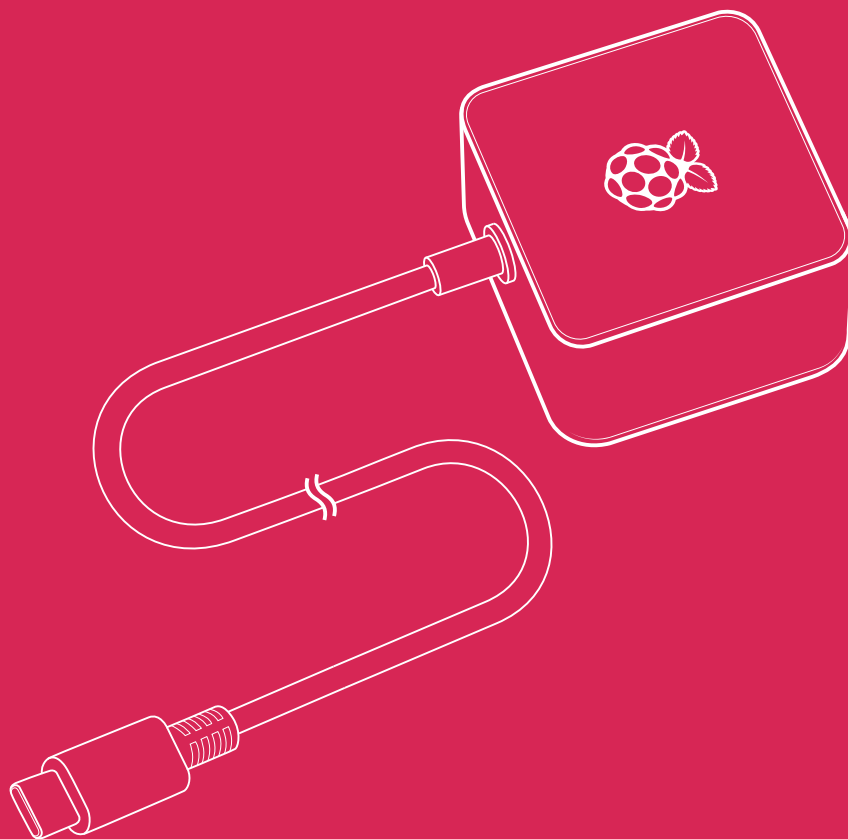




Raspberry Pi 15W USB-C Power Supply

Published November 2021



Overview



The official Raspberry Pi USB-C Power Supply is designed to power Raspberry Pi 4 Model B and Raspberry Pi 400 computers.

Featuring a captive USB-C cable, the power supply is available in five different models to suit different international power sockets, and in two colours, white and black.

Specification

Output

| | |
|-----------------------|---|
| Output voltage: | +5.1V DC |
| Minimum load current: | 0.0A |
| Nominal load current: | 3.0A |
| Maximum power: | 15.0W |
| Load regulation: | ±5% |
| Line regulation: | ±2% |
| Ripple & noise: | 120mVp-p |
| Rise time: | 100ms maximum to regulation limits for DC outputs |
| Turn-on delay: | 3000ms maximum at nominal input AC voltage and full load |
| Protection: | Short circuit protection Overcurrent protection Over temperature protection |
| Efficiency: | 81% minimum (output current from 100%, 75%, 50%, 25%) |
| Output cable: | 1.5m 18AWG |
| Output connector: | USB Type-C |

Input

| | |
|------------------------------|---|
| Voltage range: | 100–240Vac (rated) 96–264Vac (operating) |
| Frequency: | 50/60Hz ±3Hz |
| Current: | 0.5A maximum |
| Power consumption (no load): | 0.075W maximum |
| Inrush current: | No damage shall occur and the input fuse shall not blow |

Plug styles

| Part number | Product number | Colour | Plug Style | Plug Type |
|------------------|----------------|--------|-------------|----------------|
| KSA-15E-051300HU | SC0445 | White | US | Type A |
| | SC0218 | Black | | |
| KSA-15E-051300HE | SC0444 | White | Europe | Type C |
| | SC0217 | Black | | |
| KSA-15E-051300HK | SC0443 | White | UK | Type G |
| | SC0216 | Black | | |
| KSA-15E-051300HA | SC0523 | White | Australia | Type I |
| | SC0219 | Black | New Zealand | |
| | | | China | |
| KSA-15E-051300HI | SC0478 | White | India | Type D (2-pin) |
| | SC0479 | Black | | |

Environment

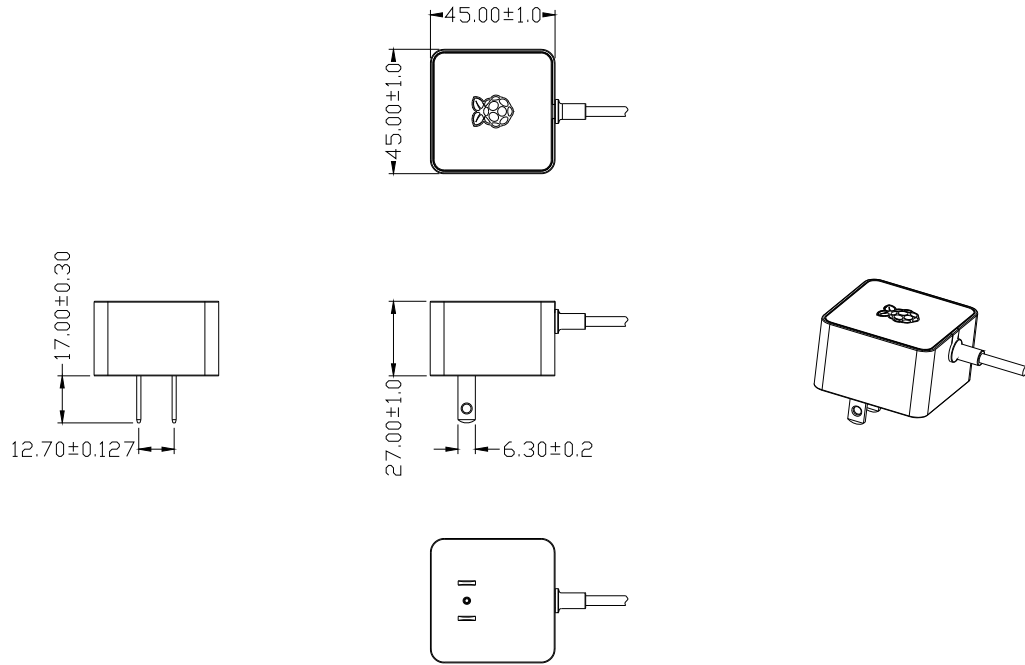
Operating ambient temperature 0–40°C

Compliance

For a full list of local and regional product approvals, please visit pip.raspberrypi.com

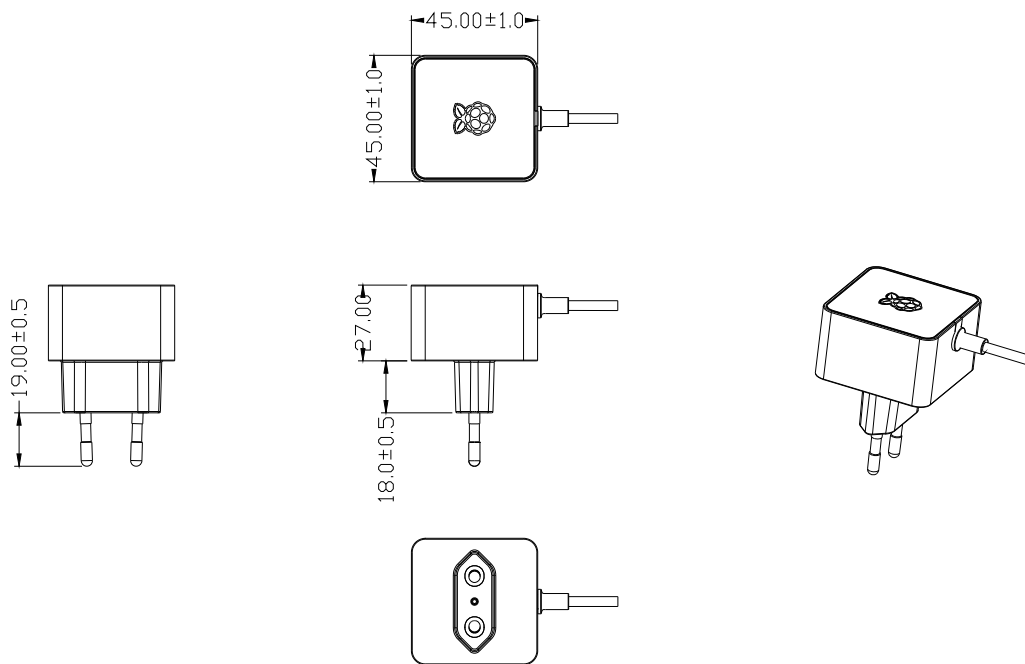
Physical specification

KSA-15E-051300HU



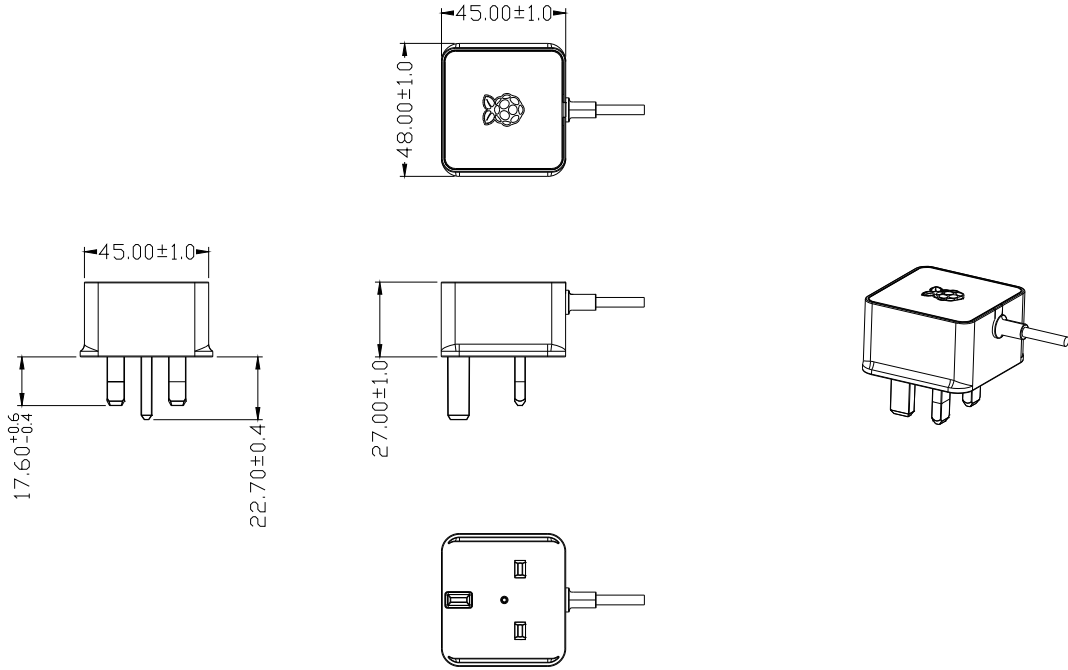
note: all dimensions in mm

KSA-15E-051300HE

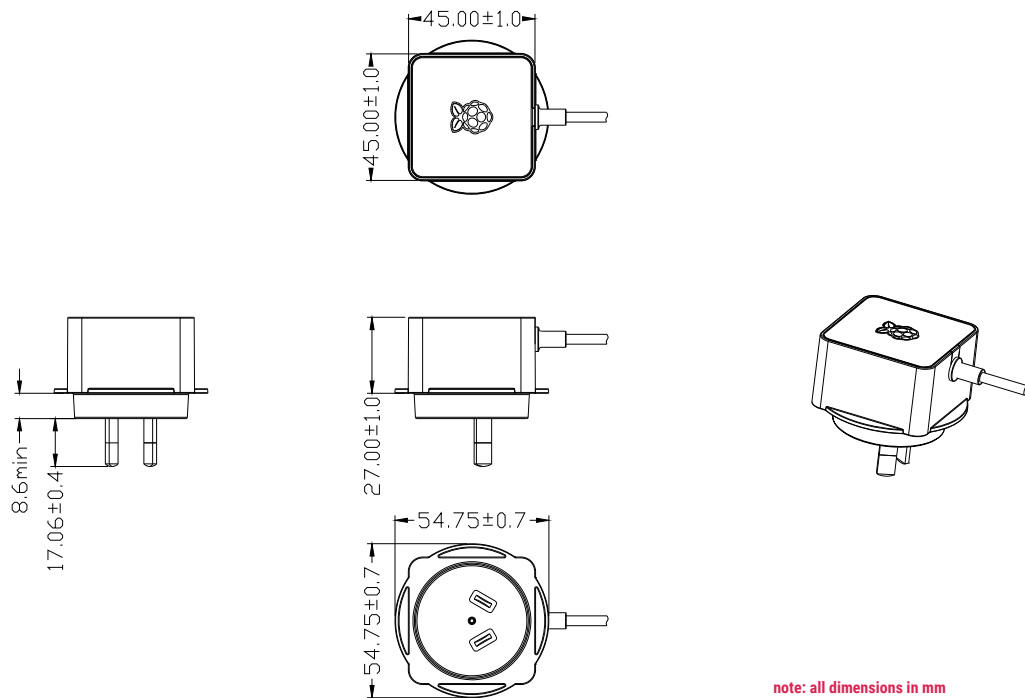


note: all dimensions in mm

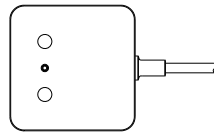
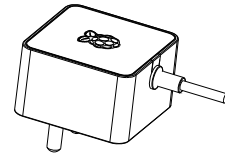
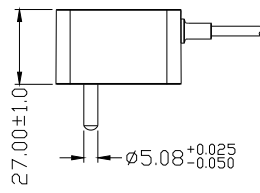
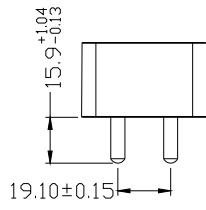
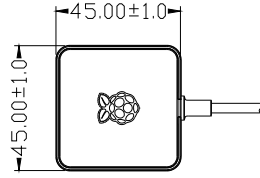
KSA-15E-051300HK



KSA-15E-051300HA



KSA-15E-051300HI



note: all dimensions in mm

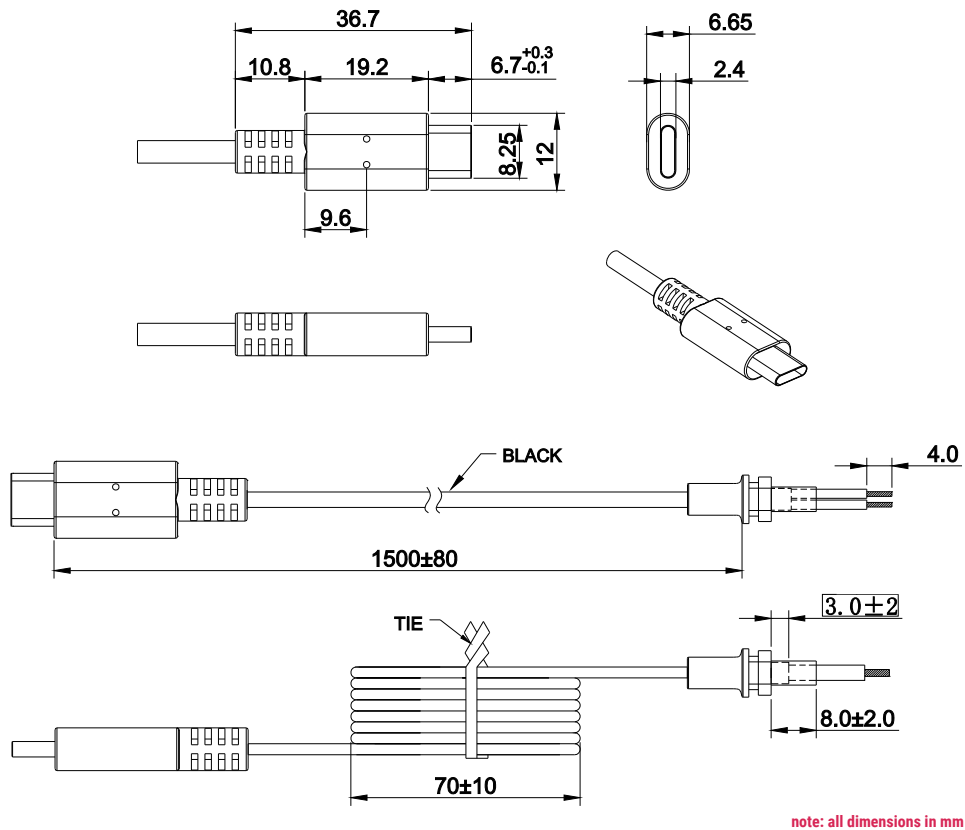
Case material

UL94V-1

AC pin material

Brass (Ni-plated)

DC cord and output plug



note: all dimensions in mm

WARNINGS

- This product should be operated in a well-ventilated environment.
- The connection of incompatible devices to this power supply may affect compliance, result in damage to the unit and invalidate the warranty.

SAFETY INSTRUCTIONS

To avoid malfunction or damage to this product please observe the following:

- Do not expose to water or moisture, or place on a conductive surface whilst in operation.
- Do not expose to heat from any source; this is designed for reliable operation at normal ambient room temperatures.
- Do not attempt to open or remove the power supply case.



Raspberry Pi is a trademark of Raspberry Pi (Trading) Ltd

X-ON Electronics

Largest Supplier of Electrical and Electronic Components

Click to view similar products for [Wall Mount AC Adapters](#) category:

Click to view products by [Raspberry Pi](#) manufacturer:

Other Similar products are found below :

[ADP-163 E](#) [ADP-167 J](#) [ADP-159 A](#) [PSAC05A-050L6](#) [DA10-050US](#) [WSU075-1000-R13](#) [WSU120-2000-R13](#) [WSU180-1330-13](#) [WSU120-2000-13](#) [WSU150-0800-13](#) [WSU075-3200-13](#) [WSU090-2500-13](#) [WSU050-2000-R13](#) [WSU240-1000-13](#) [WSU150-0560-13](#) [WSU240-0500-R13](#) [WSU075-1500-13](#) [WSU050-3000-13](#) [WSU120-1500-13](#) [WSU150-1200-13](#) [WSU120-1500-R13](#) [WSU240-0750-13](#) [WSU090-2500-R13](#) [WSU240-1500-13](#) [WSU180-0660-13](#) [WSU090-1300-13](#) [WSU050-1500-13](#) [WSU090-0800-13](#) [WSU120-0700-13](#) [WSU045-3000-13](#) [WSU120-3000-13](#) [WSU090-1300-R13](#) [WSU075-1000-13](#) [WSU060-1250-R13](#) [WSU060-1250-13](#) [WSU045-1500-R13](#) [PSAC05A-050L6M](#) [392007-01](#) [AC PLUG-AU3](#) [AC PLUG-MIX3](#) [TRE-A](#) [223-00011](#) [223-00012](#) [AA20R-480A-R](#) [BB-SMI6B12V-P230C1](#) [FPBAG1-H](#) [QFWC-05-05](#) [BB-DP15-3600750Z-3](#) [SY1005E](#) [SY0605E-CHINA](#)