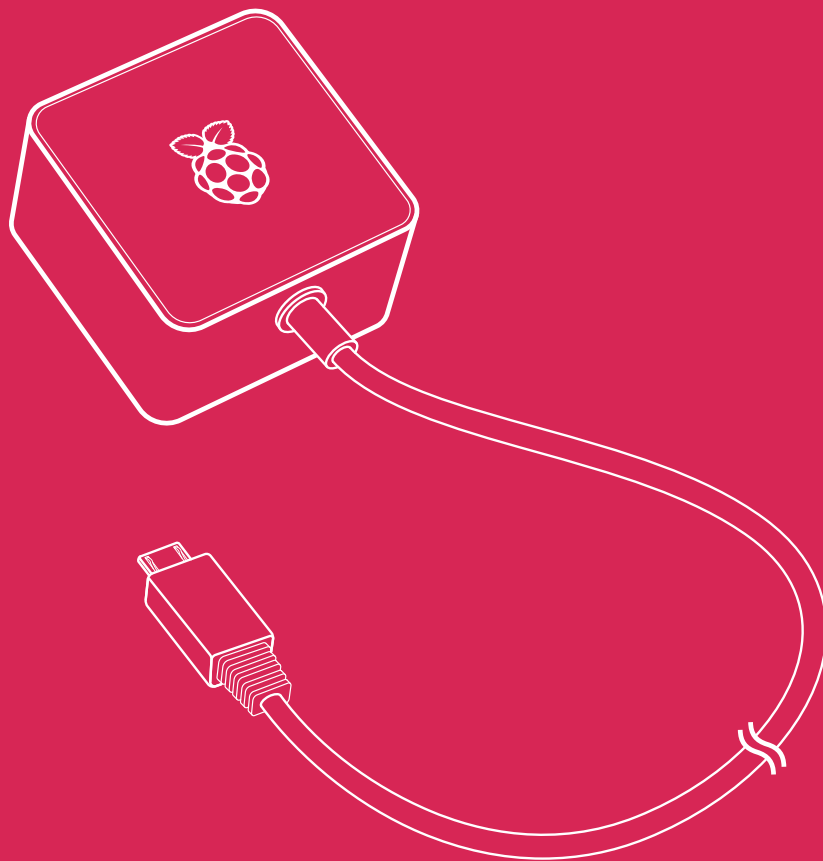




Raspberry Pi 12.5W Micro USB Power Supply

Published November 2021



Overview



The official Raspberry Pi Micro USB Power Supply is designed to power any Raspberry Pi computer that features a micro USB connector.

Featuring a captive micro USB cable, the power supply is available in five different variants to suit different international power sockets.

Specification

Output

Output voltage:	+5.1V DC
Minimum load current:	0.0A
Nominal load current:	2.5A
Maximum power:	12.5W
Load regulation:	±5%
Line regulation:	±2%
Ripple & noise:	120mVp-p
Rise time:	100ms maximum to regulation limits for DC outputs
Turn-on delay:	3000ms maximum at nominal input AC voltage and full load
Protection:	Short circuit protection Overcurrent protection
Efficiency:	80.73% minimum (output current from 100%, 75%, 50%, 25%)
Output cable:	1.5m 18AWG
Output connector:	micro USB

Input

Voltage range:	100–240Vac (rated) 96–264Vac (operating)
Frequency:	50/60Hz ±3Hz
Current:	0.5A maximum
Power consumption (no load):	0.075W maximum
Inrush current:	No damage shall occur and the input fuse shall not blow

Plug styles

Part number	Product number	Colour	Plug Style	Plug Type
KSA-13B-051250HU	SC0623	White	US	Type A
KSA-13B-051250HE	SC0624	White	Europe	Type C
KSA-13B-051250HK	SC0625	White	UK	Type G
KSA-13B-051250HA	SC0626	White	Australia New Zealand China	Type I
KSA-13B-051250HI	SC0627	White	India	Type D (2-pin)

Environment

Operating ambient temperature 0–40°C

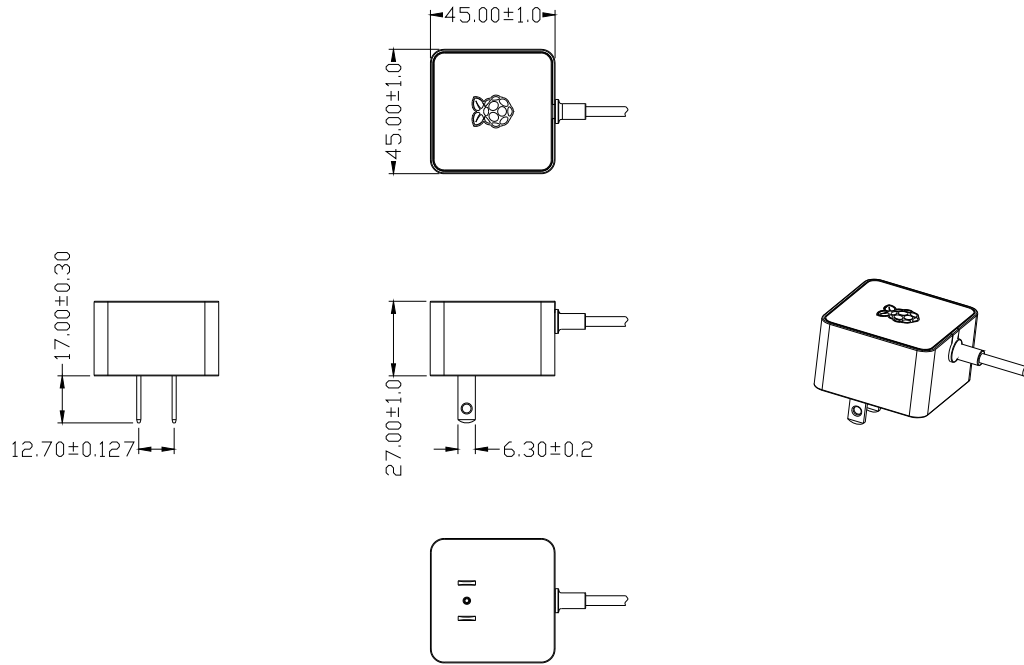
Compliance

For a full list of local and regional product approvals, please visit

pip.raspberrypi.com

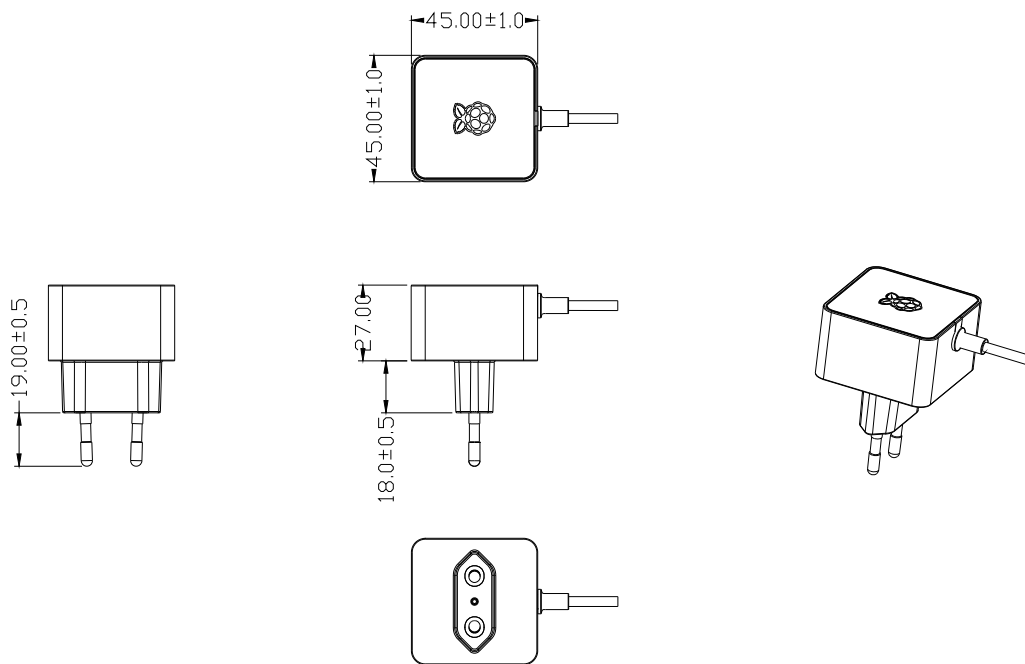
Physical specification

KSA-13B-051250HU



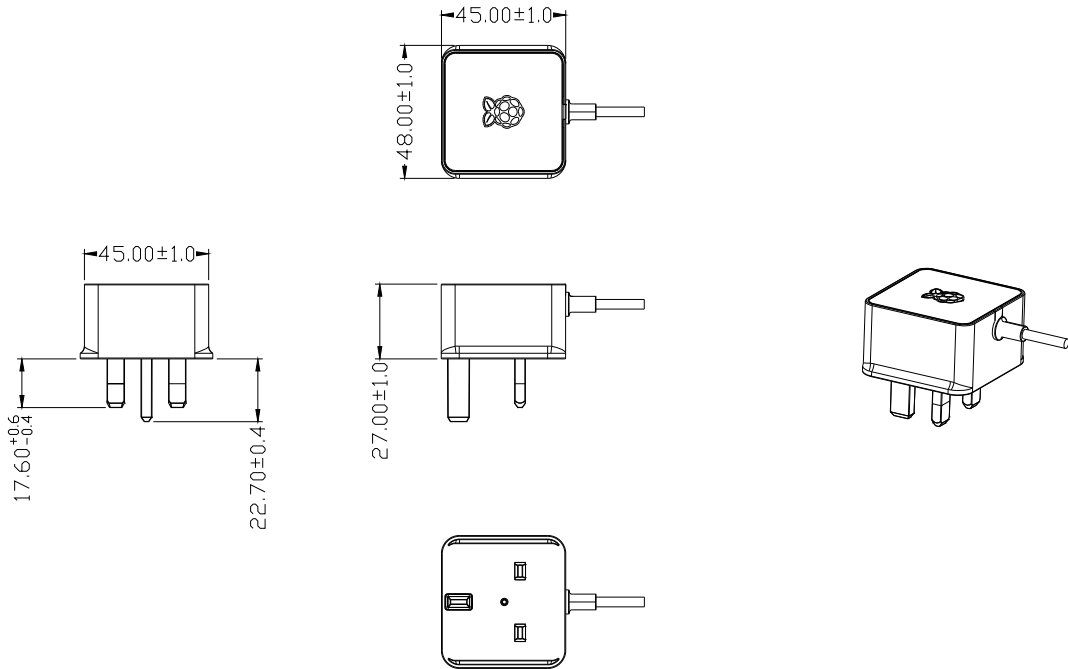
note: all dimensions in mm

KSA-13B-051250HE

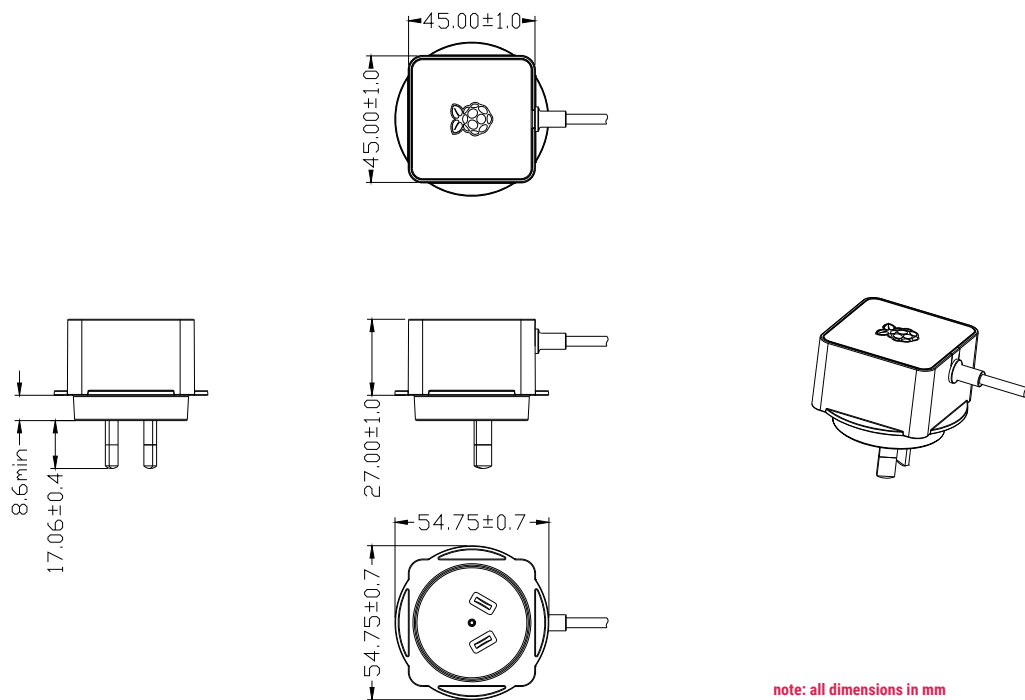


note: all dimensions in mm

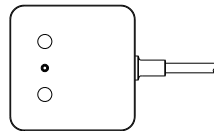
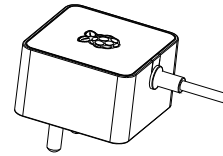
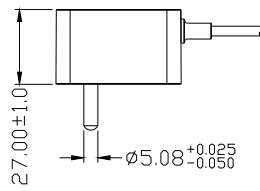
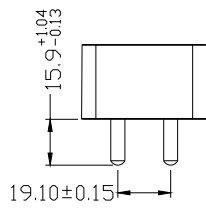
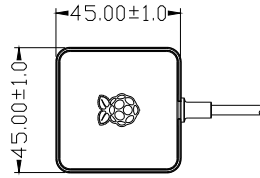
KSA-13B-051250HK



KSA-13B-051250HA



KSA-13B-051250HI



note: all dimensions in mm

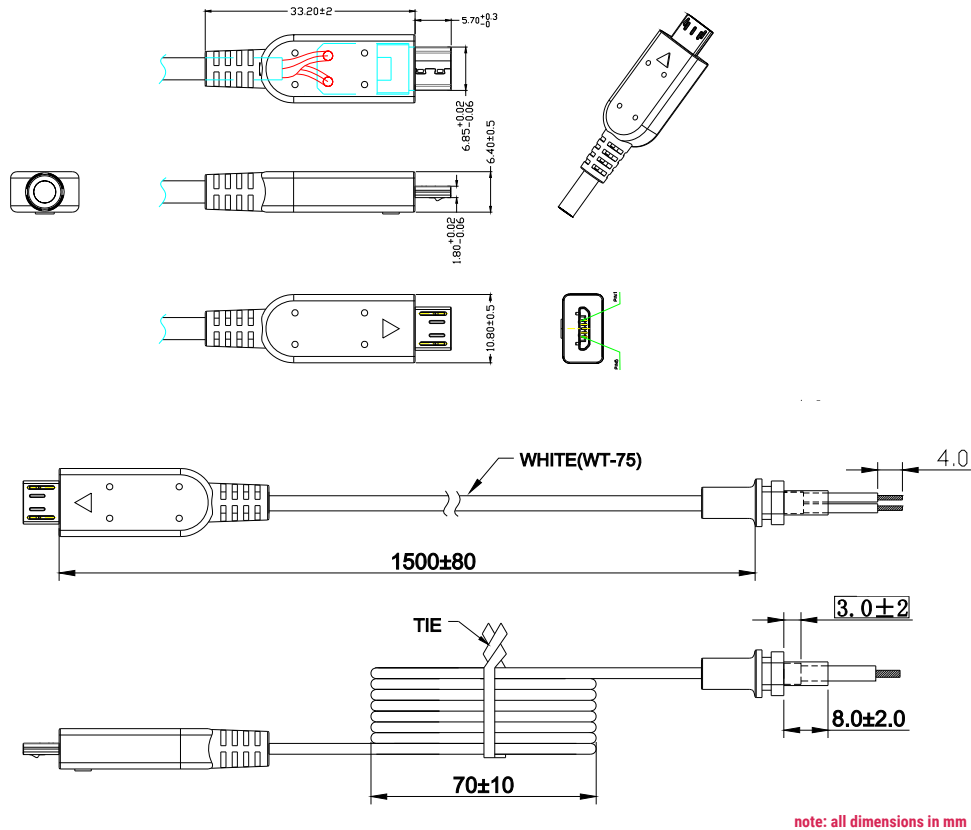
Case material

UL94V-0

AC pin material

Brass (Ni-plated)

DC cord and output plug



WARNINGS

- This product should be operated in a well-ventilated environment.
- The connection of incompatible devices to this power supply may affect compliance, result in damage to the unit and invalidate the warranty.

SAFETY INSTRUCTIONS

To avoid malfunction or damage to this product please observe the following:

- Do not expose to water or moisture, or place on a conductive surface whilst in operation.
- Do not expose to heat from any source; this is designed for reliable operation at normal ambient room temperatures.
- Do not attempt to open or remove the power supply case.



Raspberry Pi is a trademark of Raspberry Pi (Trading) Ltd

X-ON Electronics

Largest Supplier of Electrical and Electronic Components

Click to view similar products for [Wall Mount AC Adapters](#) category:

Click to view products by [Raspberry Pi](#) manufacturer:

Other Similar products are found below :

[ADP-163 E](#) [ADP-167 J](#) [ADP-159 A](#) [PSAC05A-050L6](#) [DA10-050US](#) [WSU075-1000-R13](#) [WSU120-2000-R13](#) [WSU180-1330-13](#) [WSU120-2000-13](#) [WSU150-0800-13](#) [WSU075-3200-13](#) [WSU090-2500-13](#) [WSU050-2000-R13](#) [WSU240-1000-13](#) [WSU150-0560-13](#) [WSU240-0500-R13](#) [WSU075-1500-13](#) [WSU050-3000-13](#) [WSU120-1500-13](#) [WSU150-1200-13](#) [WSU120-1500-R13](#) [WSU240-0750-13](#) [WSU090-2500-R13](#) [WSU240-1500-13](#) [WSU180-0660-13](#) [WSU090-1300-13](#) [WSU050-1500-13](#) [WSU090-0800-13](#) [WSU120-0700-13](#) [WSU045-3000-13](#) [WSU120-3000-13](#) [WSU090-1300-R13](#) [WSU075-1000-13](#) [WSU060-1250-R13](#) [WSU060-1250-13](#) [WSU045-1500-R13](#) [PSAC05A-050L6M](#) [392007-01](#) [AC PLUG-AU3](#) [AC PLUG-MIX3](#) [TRE-A](#) [223-00011](#) [223-00012](#) [AA20R-480A-R](#) [BB-SMI6B12V-P230C1](#) [FPBAG1-H](#) [QFWC-05-05](#) [BB-DP15-3600750Z-3](#) [SY1005E](#) [SY0605E-CHINA](#)