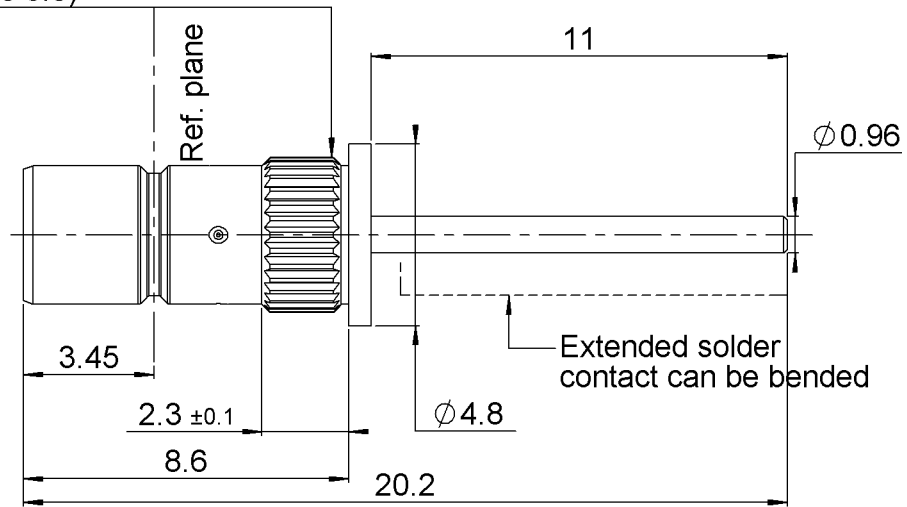


STRAIGHT PRESS IN RECEPTACLE
REAR MOUNT - WITH CYLINDRICAL CONTACT

R114.505.235

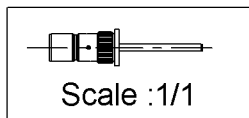
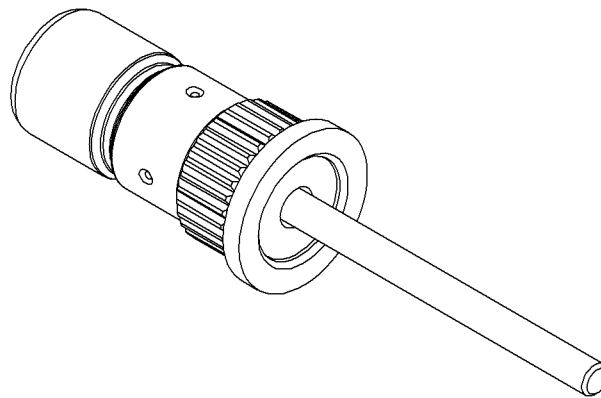
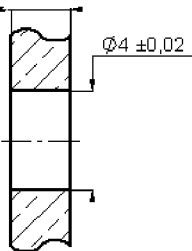
Series : **SMB**

◆ $\phi 4.1 \pm 0.02$ / straight knurled pitch 0.5
 (/moletage droit pas 0.5)

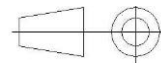


PANEL PIERCING

2,4 mini a 3,3 maxi



All dimensions are in mm.



COMPONENTS	MATERIALS	PLATING (μm)
BODY	BRASS	NICKEL 5 OVER COPPER 2
CENTER CONTACT	BRASS	GOLD 0.15 OVER NICKEL 2 OVER COPPER 1
OUTER CONTACT	-	-
INSULATOR	PTFE	-
GASKET	-	-
OTHERS PARTS	-	-
-	-	-
-	-	-

Issue : 1728 B

In the effort to improve our products, we reserve the right to make changes judged to be necessary.

STRAIGHT PRESS IN RECEPTACLE
REAR MOUNT - WITH CYLINDRICAL CONTACT

R114.505.235

Series : **SMB**

PACKAGING

SPECIFICATION

Standard	Unit	Other
2x500**	-	Contact us

ELECTRICAL CHARACTERISTICS

ENVIRONMENTAL

Impedance	50	Ω
Frequency	0-4	GHz
VSWR	1.05* + 0,0080	x F(GHz) Maxi
Insertion loss	0.03*	\sqrt{F} (GHz) dB Maxi
RF leakage	- (57)	- F(GHz)) dB Maxi
Voltage rating	500	Veff Maxi
Dielectric withstanding voltage	1000	Veff mini
Insulation resistance	1000	M Ω mini

Operating temperature	-65/+165	$^{\circ}$ C
Hermetic seal	NA	Atm.cm3/s
Panel leakage	NA	

OTHER CHARACTERISTICS

Assembly instruction **NA**

Others :

*Coaxial Transmission Line Only

**Packaging into a cardboard box with two Plastic bags of five hundred parts

MECHANICAL CHARACTERISTICS

Center contact retention		
Axial force – Mating end	10	N mini
Axial force – Opposite end	10	N mini
Torque	NA	N.cm mini
Recommended torque		
Mating	NA	N.cm
Panel nut	NA	N.cm
Mating life	100	Cycles mini
Weight	0,5200	g

Issue : 1728 B

In the effort to improve our products, we reserve the right to make changes judged to be necessary.



X-ON Electronics

Largest Supplier of Electrical and Electronic Components

Click to view similar products for [RF Connectors / Coaxial Connectors](#) category:

Click to view products by [Raydiall](#) manufacturer:

Other Similar products are found below :

[8915-1511-000](#) [89674-0827](#) [6001-7071-019](#) [6002-7051-003](#) [6002-7551-202](#) [6059674-1](#) [619550-1](#) [630059-000](#) [M39030/3-01N](#) [M3933/25-36N](#) [6500-7071-046](#) [6769](#) [CX050L2AQ](#) [7002-1542-011](#) [7002-1572-002](#) [7004-1512-000](#) [7009-1511-004](#) [7010-1511-000](#) [7029-1511-060](#) [7101-1541-010](#) [7101-1571-002](#) [7105-1521-002](#) [7145-1521-002](#) [7203-1571-003](#) [7209-1511-011](#) [7210-1511-015](#) [7210-1511-019](#) [73137-5015](#) [73216-2241](#) [7325-1512-000](#) [73404-2300](#) [7405-1521-005](#) [7405-1521-802](#) [7406-1521-005](#) [8527](#) [8547](#) [FS11V](#) [8808-1511-001](#) [9049-9513-000](#) [9074-9513-000](#) [9101-9573-002](#) [910A205F](#) [9130-9573-002](#) [PL11SC-026](#) [PL375-33](#) [PL40-5](#) [PL71-9](#) [PL74C-221](#) [PL75MC-217](#) [PL803-7](#)