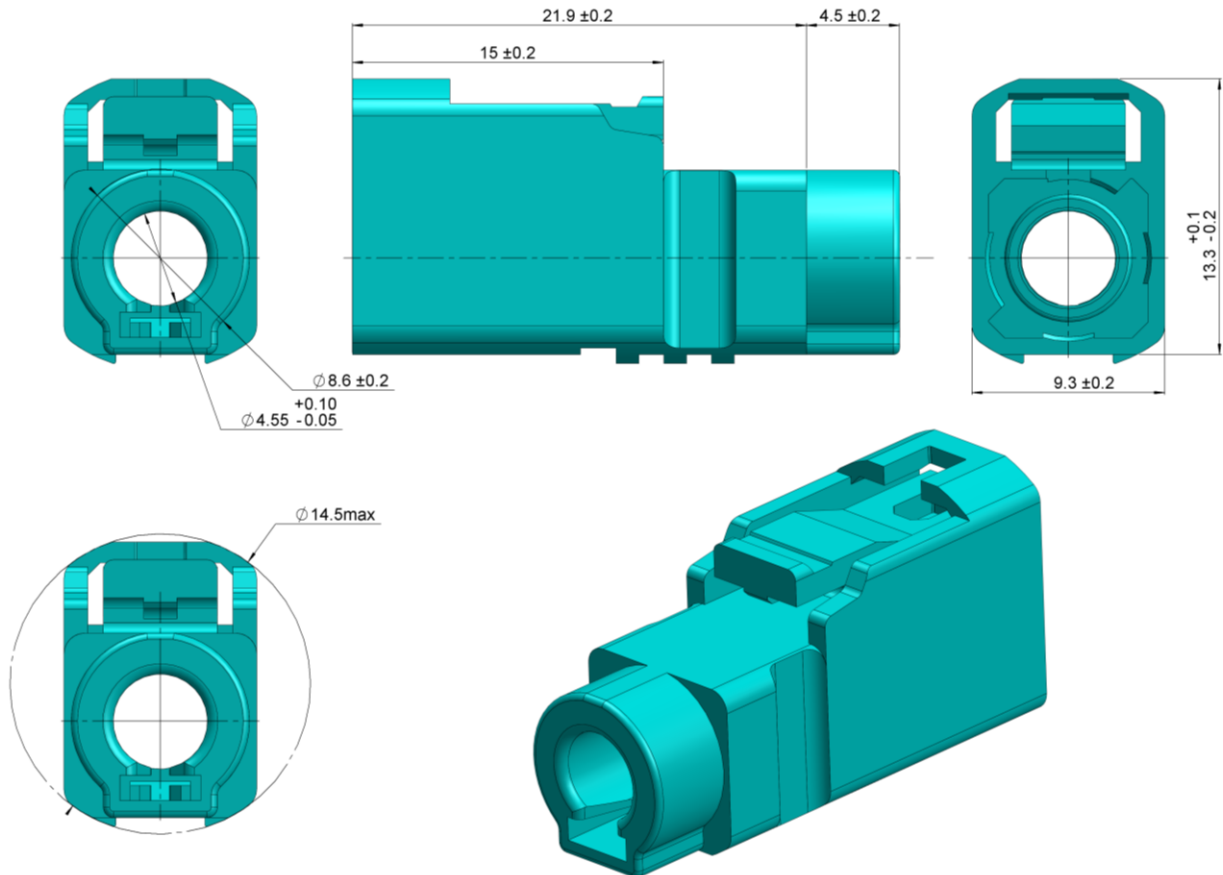


Fakra R3C – Straight Female housing
Cable type **RG174** (2.6/50) & **RTK** (3.2/50)

R197.115._80

TECHNICAL DATA SHEET

| Rev | Date | Edited | Approved | Validated | Modification |
|-----|------------|------------|----------|-----------|--------------|
| 1 | 21/06/2018 | C.Chavanne | Y.Gay | R.Chantre | Creation |
| | | | | | |



All dimensions are in mm

| COMPONENTS | MATERIALS | UL CLASSIFICATION | COLOR |
|------------|-----------|-------------------|------------|
| Housing | Polyamide | UL 94 V-2 | See page 2 |

Fakra R3C – Straight Female housing
Cable type **RG174** (2.6/50) & **RTK** (3.2/50)

R197.115._80

TECHNICAL DATA SHEET

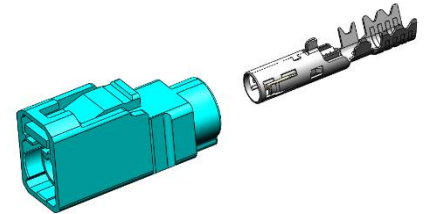
Interface

According to ISO 20860-1

Application

This housing is part of an assembly to create a complete R3C connector. It has to be assembled with a terminal.

Refer to **AI_R3C** to get the corresponding P/N.



Codings

To obtain the complete part number, please fill in the blank “_” with the coding letter.



A
Black
9005



B
Crème White
9001



C
Blue
5005



D
Bordeaux
4004



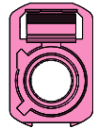
E
Green
6002



F
Brown
8011



G
Grey
7031



H
Violet
4003



I
Beige
1001



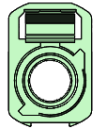
K
Curry
1027



L
Carmin
3002



M
Pastel Orange
2003



N
Pastel Green
6019



Z
Water blue
5021

Net Weight: 1.68g

Storage condition & Shelf Life

Boxes should be stored indoors, in its original packaging (box + plastic bag), in a controlled climate environment not exceeding -20°C/+40°C and maximum 70% relative humidity. The boxes should be protected from direct sunlight and should be used on a "first-in, first-out" basis.

It is recommended to use this reference within 1 year from the date of manufacture when stored according to the recommended storage condition.

Product Handling

Care must be taken when handling the boxes of housings. They must not fall.

Fakra R3C – Straight Female housing
Cable type **RG174** (2.6/50) & **RTK** (3.2/50)



R197.115._80

TECHNICAL DATA SHEET

Packaging: 2 welded plastic bags inside cardboard box

Number of housings/ Plastic bag: 2400 / box: 4800 pcs



Carboard box

Dimensions: 40 x 30 x 20 cm

Weight: \approx 8.5kg



Plastic bags

X-ON Electronics

Largest Supplier of Electrical and Electronic Components

Click to view similar products for [RF Connector Accessories](#) category:

Click to view products by [Raydiall](#) manufacturer:

Other Similar products are found below :

[89674-0712](#) [F702RX24](#) [FERRULE-174](#) [R141802000](#) [R141805000](#) [R141842000](#) [R161862000](#) [R161862000W](#) [R280752000](#) [R280907000](#)
[R694261906](#) [RFI21-13](#) [RFI75-13-D2](#) [RFI75-4-D2](#) [AX102906](#) [AX102907](#) [18097-0013](#) [HP-375](#) [HP-500](#) [2098-0294-00](#) [2098-3251-94](#) [KA-](#)
[81-05](#) [89674-0805](#) [F1](#) [202102-11](#) [213337-1](#) [220222-2](#) [24092671A](#) [24092678A](#) [R280468000](#) [R280510000](#) [R282862060](#) [RFI155-1](#) [RFI25-](#)
[12-D3](#) [RFI25-5](#) [RFI25-5-D3](#) [RFI75-12-D2](#) [RFI75-2-D2](#) [RFI75-4-D3](#) [RFI77-6](#) [360HS001M2508M6](#) [4-1532137-4](#) [5-21085-0](#) [105274-1000](#)
[111062-0490](#) [112122-SOD-LUG](#) [112-NUT-KNURL](#) [IPP-2014](#) [R280490020](#) [24092090I](#)