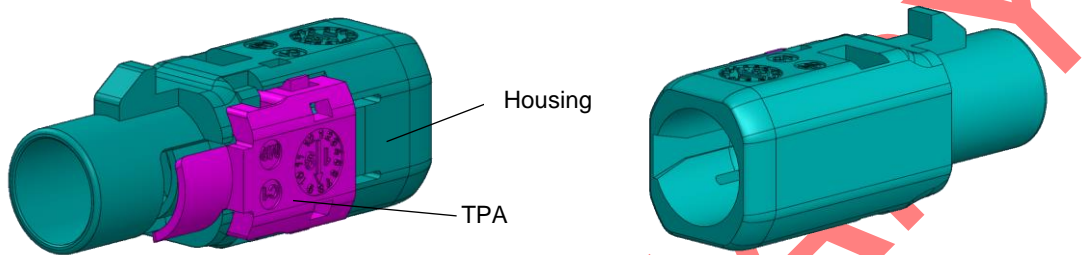
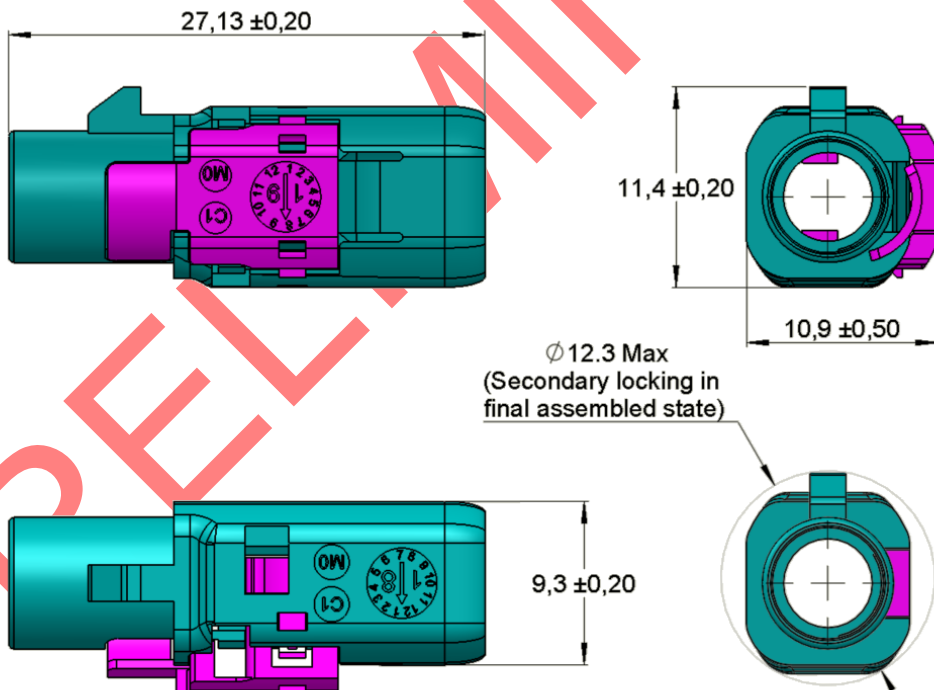


Rev	Date	Edited	Approved	Validated	Modification
1	08/11/2018	R.Duprez	M.Dupont	M.Vitasse	Creation
2	05/12/2018	R.Duprez	M.Dupont	M.Vitasse	Update reference
3	19/07/2019	R.Duprez	M.Dupont	M.Vitasse	Modification of TPA
4	25/09/2020	C.Mourin			Update packaging information



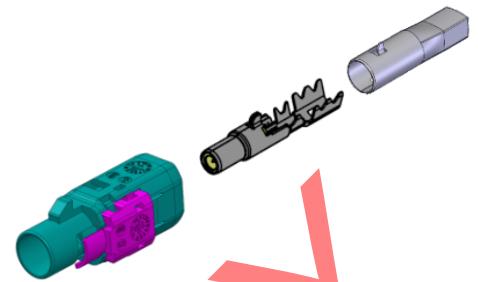
All dimensions are in mm



COMPONENTS	MATERIALS	UL CLASSIFICATION	COLOR
Housing and TPA	Polyamide	UL 94 HB	See page 2

**Interface**

According to ISO 20860-1 and USCAR 18 Rev 4  
 Clip holder EWCAP-005-07 according to EWCAP\_005\_REVC



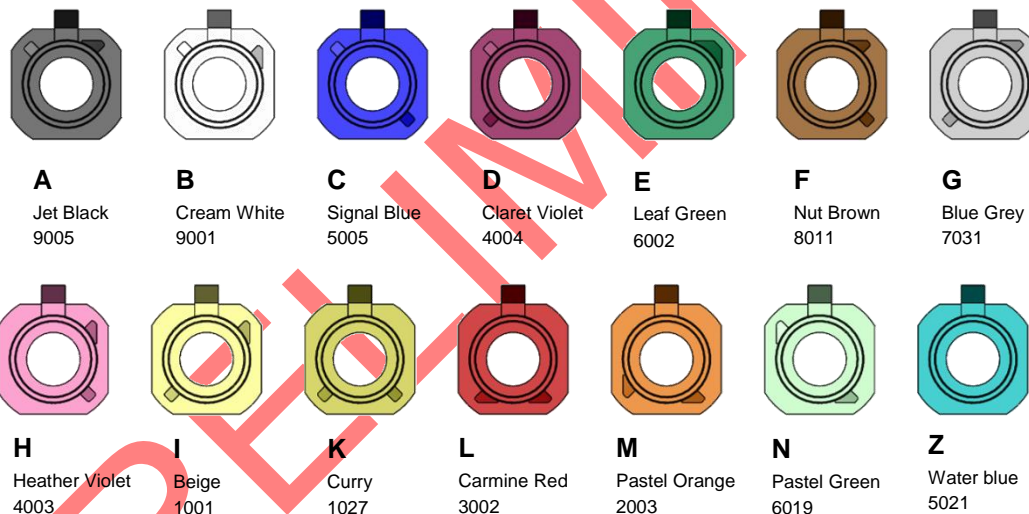
**Application**

This housing is designed to meet with USCAR-17 rev5. It is part of an assembly to create a complete R3C connector. It has to be assembled with a terminal and associated shielding ferrule.

Refer to **AI\_R3C\_TPA\_CPA** to get the corresponding P/N.

**Codings**

To obtain the complete part number, please fill in the blank “\_” with the coding letter.  
 Consult Raydiall representative for coding availability



**Net weight:** 1.2 g

**Storage condition & Shelf Life**

Boxes should be stored indoors, in its original packaging (box + plastic bag), in a controlled climate environment not exceeding -20°C/+40°C and maximum 70% relative humidity. The boxes should be protected from direct sunlight and should be used on a "first-in, first-out" basis.

It is recommended to use this reference within 1 year from the date of manufacture when stored according to the recommended storage condition.

**Product Handling**

Boxes must be handle with care. They must not be dropped. Indeed it might unwillingly activate the secondary locking, which makes the housing un-usable.

**Packaging:** welded plastic bags inside cardboard box with flaps

**Plastic bags**

Number of pcs/ Plastic bag: from 2000 to 5000 pcs

**Cardboard box with flaps**

Dimension (W x L x H): 400 x 300 x 200 mm or Galia A13

Weight: ≈ from 2.8kg (2000 pcs) to 6.4kg (5000 pcs)

PRELIMINARY

## X-ON Electronics

Largest Supplier of Electrical and Electronic Components

*Click to view similar products for [RF Connector Accessories](#) category:*

*Click to view products by [Raydiall](#) manufacturer:*

Other Similar products are found below :

[89674-0712](#) [F702RX24](#) [FERRULE-174](#) [R125802000](#) [R141802000](#) [R141805000](#) [R141842000](#) [R161844000](#) [R161862000](#) [R161862000W](#)  
[R280752000](#) [R280907000](#) [R694261906](#) [RFI21-13](#) [RFI375-12-D3](#) [RFI75-13-D2](#) [RFI75-3](#) [RFI75-4-D2](#) [RFI97-13](#) [AX102906](#) [AX102907](#)  
[18097-0013](#) [HP-375](#) [HP-500](#) [2098-0294-00](#) [2098-3251-94](#) [KA-81-05](#) [89674-0805](#) [RUBBER-CAP-BNC](#) [F1](#) [FERRULE-223](#) [202102-11](#)  
[213337-1](#) [220222-2](#) [24092671A](#) [24092678A](#) [R161841000](#) [R280468000](#) [R280510000](#) [R282862060](#) [RFI155-1](#) [RFI25-12-D3](#) [RFI25-5](#)  
[RFI25-5-D3](#) [RFI75-12-D2](#) [RFI75-2-D2](#) [RFI75-4-D3](#) [RFI77-6](#) [RFI97-14](#) [360HS001M2508M6](#)